



MASTER LEDspot LV AR111

MAS LEDspotLV D 15-75W 927 AR111 24D

Delivering a warm, halogen-like accent beam, MASTER LEDspot LV AR111 is an ideal retrofit solution for spot and general lighting applications in the hospitality and retail industry. It is particularly suitable for general lighting where the light is on all the time, such as creative accent lighting applications in shops, restaurants, hotels, and especially for galleries, exhibitions and museums. The robustly designed MASTER LEDspot LV AR111 offers various beam angles for a clearly defined beam spread. There is no UV or IR in the beam, making it suitable for illuminating heat-sensitive objects (food, organic materials, paintings, etc.). The patented intelligent driver enables broad compatibility with existing electromagnetic and electronic halogen transformers. MASTER LEDspot LV AR111 delivers huge energy savings and minimizes maintenance cost without any reduction in brightness.

Product data

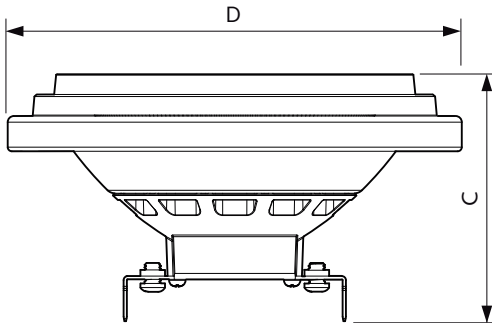
General Information		Operating and Electrical	
Cap base	G53 [G53]	Rated beam angle	24 °
Nominal lifetime (nom.)	40000 h	Correlated colour temperature (nom.)	2700 K
Switching cycle	50000X	Luminous efficacy (rated) (nom.)	53.33 lm/W
Technical type	15-75W	Colour consistency	<3
Light Technical		Color rendering index (nom.)	90
Colour code	927	LLMF at end of nominal lifetime (nom.)	70 %
Beam Angle (Nom)	24 °	Luminous Flux in 90° Cone (Rated)	800 lm
Light distribution	24D [Medium beam]	Operating and Electrical	
Luminous flux (nom.)	800 lm	Power (Rated) (Nom)	15 W
Luminous flux (rated) (nom.)	800 lm	Lamp current (nom.)	1800 mA
Luminous intensity (nom.)	3900 cd	Wattage equivalent	75 W
Colour designation	Warm White (WW)	Starting time (nom.)	0.5 s
		Warm-up time to 60% light (nom.)	0.5 s

MASTER LEDspot LV AR111

Power factor (nom.)	0.7
Voltage (Nom)	12 V
Temperature	
T-Case maximum (nom.)	74 °C
Controls and Dimming	
Dimmable	Yes
Approval and Application	
Energy efficiency label (EEL)	A
Suitable for accent lighting	Yes
Energy Consumption kWh/1000 h	17 kWh

Product Data	
Full product code	871869651496200
Order product name	MAS LEDspotLV D 15-75W 927 AR111 24D
EAN/UPC – product	8718696514962
Order code	51496200
Numerator – quantity per pack	1
Numerator – packs per outer box	6
Material no. (12NC)	929001170202
Net weight (piece)	0.160 kg

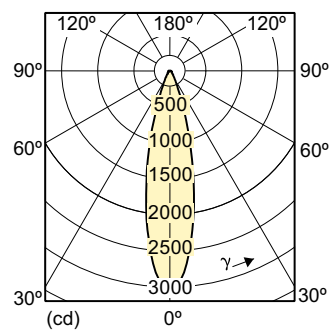
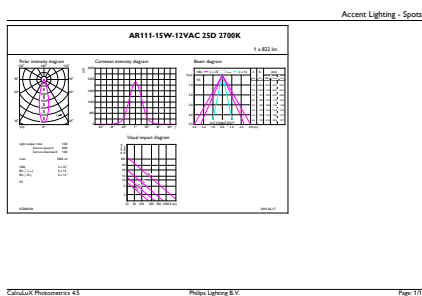
Dimensional drawing



LED D 15-75W 927 AR111 24D

Product	D	C
MAS LEDspotLV D 15-75W 927 AR111 24D	111 mm	62 mm

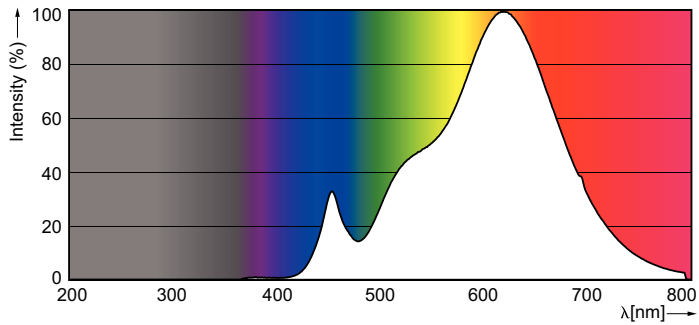
Photometric data



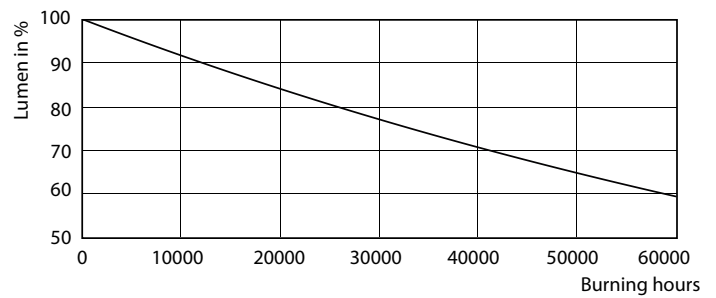
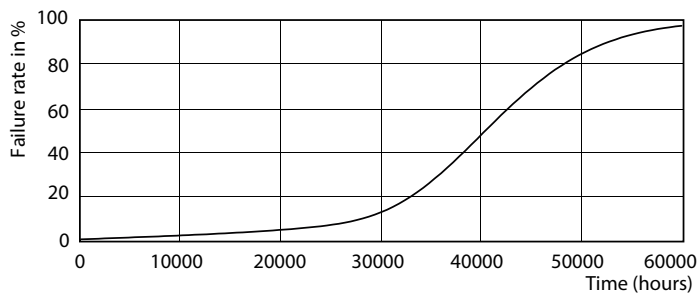
MASTER LEDspot LV AR111 75W G53 927 24D

MASTER LEDspot LV AR111

Photometric data



Lifetime



MASTER LEDspotLV AR111 75W G53 940 40D

MASTER LEDspotLV AR111 75W G53 940 40D

