



# MASTER LEDspot LV AR111

## MAS LEDspotLV D 15-75W 930 AR111 24D

Delivering a warm, halogen-like accent beam, MASTER LEDspot LV AR111 is an ideal retrofit solution for spot and general lighting applications in the hospitality and retail industry. It is particularly suitable for general lighting where the light is on all the time, such as creative accent lighting applications in shops, restaurants, hotels, and especially for galleries, exhibitions and museums. The robustly designed MASTER LEDspot LV AR111 offers various beam angles for a clearly defined beam spread. There is no UV or IR in the beam, making it suitable for illuminating heat-sensitive objects (food, organic materials, paintings, etc.). The patented intelligent driver enables broad compatibility with existing electromagnetic and electronic halogen transformers. MASTER LEDspot LV AR111 delivers huge energy savings and minimises maintenance cost without any reduction in brightness.

### Product data

General Information	
Cap-Base	G53 [G53]
Nominal lifetime	40,000 hour(s)
Switching Cycle	50,000
Lighting Technology	LED
EU RoHS compliant	Yes
Light Technical	
Color Code	930 [CCT of 3000K]
Beam Angle (Nom)	24 degree(s)
Luminous Flux	840 lm
Luminous Intensity (Nom)	4,000 cd
Color Designation	White (WH)
Correlated Color Temperature (Nom)	3000 K

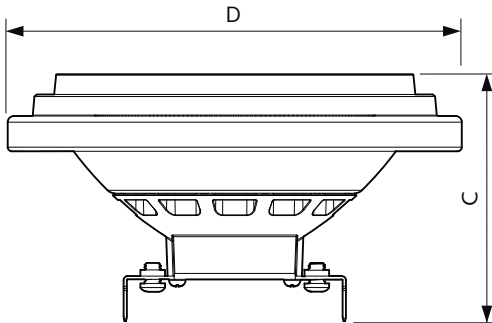
Luminous Efficacy (rated) (Nom)	56.00 lm/W
Color Consistency	<6
Color rendering index (CRI)	90
LLMF At End Of Nominal Lifetime (Nom)	70 %
Luminous Flux in 90° Cone (Rated)	770 lm
Operating and Electrical	
Line Frequency	- Hz
Input Frequency	- Hz
Power Consumption	15 W
Lamp Current (Nom)	1,800 mA
Wattage Equivalent	75 W
Starting Time (Nom)	0.5 s
Warm-up time to 60% light	instant full light s

# MASTER LEDspot LV AR111

Power Factor (Fraction)	0.7
Voltage (Nom)	12 V
<b>Temperature</b>	
T-Case Maximum (Nom)	74 °C
<b>Controls and Dimming</b>	
Dimmable	Yes
<b>Mechanical and Housing</b>	
Bulb Shape	AR111
<b>Approval and Application</b>	
Suitable For Accent Lighting	Yes

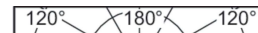
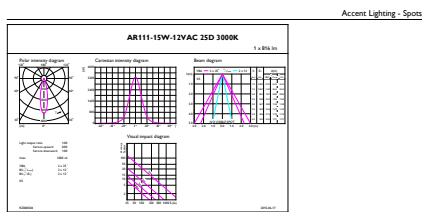
Energy Consumption kWh/1000 h	17 kWh
<b>Product Data</b>	
Order product name	MAS LEDspotLV D 15-75W 930 AR111 24D
Full product name	MAS LEDspotLV D 15-75W 930 AR111 24D
Full product code	871869651518100
Order code	929001170308
Material Nr. (12NC)	929001170308
Numerator - Quantity Per Pack	1
EAN/UPC - Product/Case	8718696515181
Numerator - Packs per outer box	6
EAN/UPC - Case	8718696515198

## Dimensional drawing



Product	D	C
MAS LEDspotLV D 15-75W 930 AR111 24D	111 mm	62 mm

## Photometric data



Accent Lighting Spots - MAS LEDspotLV D 15-75W 930 AR111 24D

Light Distribution Diagram - MAS LEDspotLV D 15-75W 930 AR111 24D

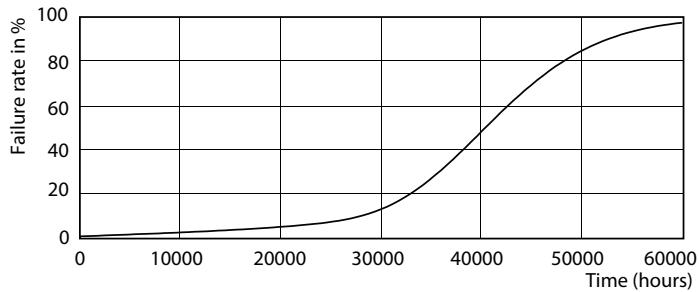
# MASTER LEDspot LV AR111

## Photometric data

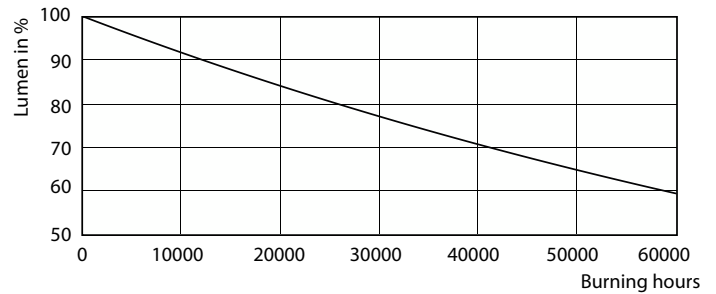


Spectral Power Distribution Colour - MAS LEDspotLV D 15-75W 930 AR111 24D

## Lifetime



Life Expectancy Diagram - MAS LEDspotLV D 15-75W 930 AR111 24D



Lumen Maintenance Diagram - MAS LEDspotLV D 15-75W 930 AR111 24D

