



MASTER LEDspot LV AR111

MAS LEDspotLV D 15-75W 927 AR111 40D

Delivering a warm, halogen-like accent beam, MASTER LEDspot LV AR111 is an ideal retrofit solution for spot and general lighting applications in the hospitality and retail industry. It is particularly suitable for general lighting where the light is on all the time, such as creative accent lighting applications in shops, restaurants, hotels, and especially for galleries, exhibitions and museums. The robustly designed MASTER LEDspot LV AR111 offers various beam angles for a clearly defined beam spread. There is no UV or IR in the beam, making it suitable for illuminating heat-sensitive objects (food, organic materials, paintings, etc.). The patented intelligent driver enables broad compatibility with existing electromagnetic and electronic halogen transformers. MASTER LEDspot LV AR111 delivers huge energy savings and minimizes maintenance cost without any reduction in brightness.

产品数据

基本信息	
底盖	G53 [G53]
标称寿命 (标称)	40000 h
切换循环	50000X
技术类型	15-75W

照明科技	
颜色代码	927
光束角度 (标称)	40°
光分布	40D [中光束]
光通量 (标称)	830 lm
光通量 (额定) (标称)	830 lm
发光强度 (标称)	1400 cd
颜色名称	暖白色 (WW)

额定光束角度	40°
相关色温 (标称)	2700 K
光效 (额定) (标称)	55.33 lm/W
颜色一致性	<6
显色指数 (标称)	90
标称使用寿命结束时灯的光通维持率 (标称)	70 %

运营和电气	
Power (Rated) (Nom)	15 W
灯具电流 (标称)	1800 mA
瓦数相当	75 W
启动时间 (标称)	0.5 s
60% 灯光下的预热时间 (标称)	instant full light
功率系数 (标称)	0.7

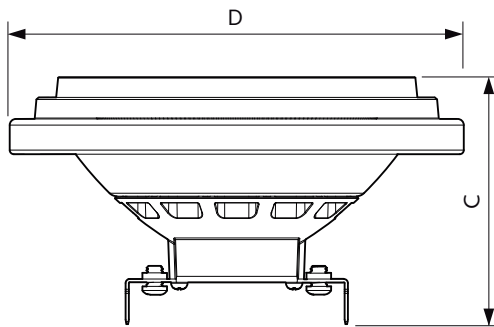
MASTER LEDspot LV AR111

电压 (标称)	12 V
温度	
最大外壳温度 (标称)	74 °C
控制调光	
可调光	Yes
应用	
能效标签 (EEL)	A
适用于重点照明	Yes
能耗 kWh/1000 h	17 kWh

产品参数

完整产品代码	871869651520400
订单产品名称	MAS LEDspotLV D 15-75W 927 AR111 40D
EAN/UPC - 产品	8718696515204
订购代码	929001170408
计算器 - 每个包中的数量	1
计算器 - 每个外包装箱中的包数	6
材料编号(12NC)	929001170408
净重 (每件)	0.360 kg

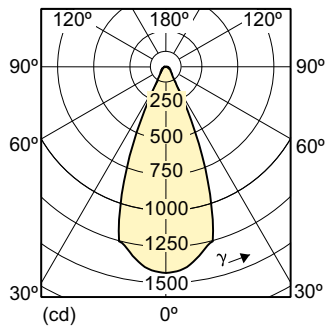
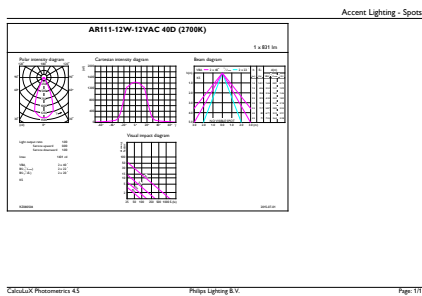
二维绘图



LED D 15-75W 927 AR111 40D

Product	D	C
MAS LEDspotLV D 15-75W 927 AR111 40D	111 mm	62 mm

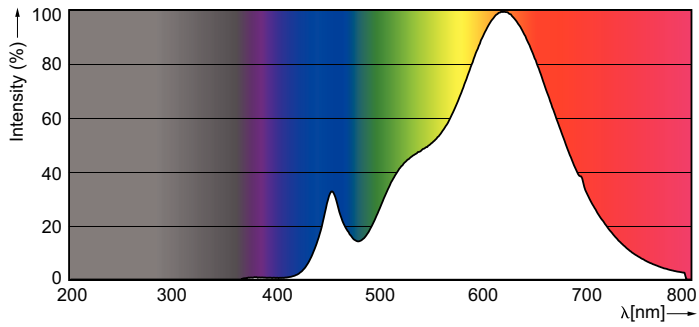
光度数据



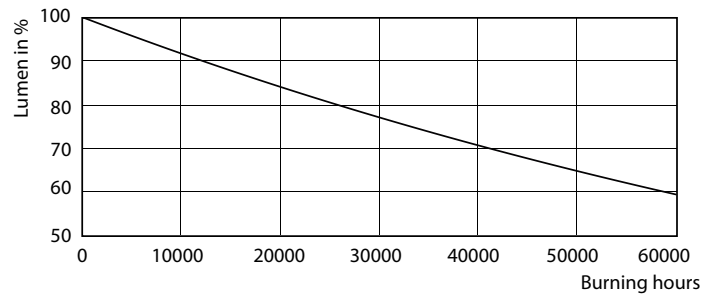
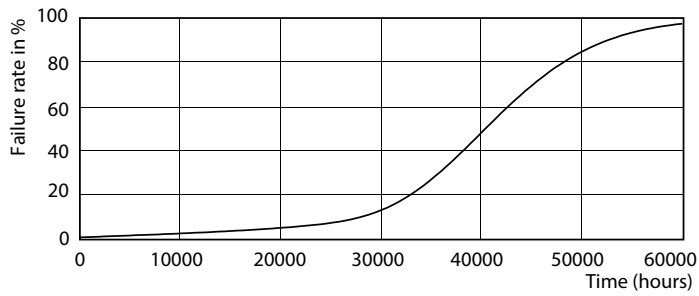
MASTER LEDspot LV AR111 75W G53 927 40D

MASTER LEDspot LV AR111

光度数据



寿命



MASTER LEDspotLV AR111 75W G53 940 40D

MASTER LEDspotLV AR111 75W G53 940 40D

