



# MASTER LEDspot LV AR111

## MAS LEDspotLV D 15-75W 927 AR111 40D

Delivering a warm, halogen-like accent beam, MASTER LEDspot LV AR111 is an ideal retrofit solution for spot and general lighting applications in the hospitality and retail industry. It is particularly suitable for general lighting where the light is on all the time, such as creative accent lighting applications in shops, restaurants, hotels, and especially for galleries, exhibitions and museums. The robustly designed MASTER LEDspot LV AR111 offers various beam angles for a clearly defined beam spread. There is no UV or IR in the beam, making it suitable for illuminating heat-sensitive objects (food, organic materials, paintings, etc.). The patented intelligent driver enables broad compatibility with existing electromagnetic and electronic halogen transformers. MASTER LEDspot LV AR111 delivers huge energy savings and minimizes maintenance cost without any reduction in brightness.

### Product data

General Information		Colour consistency	
Cap base	G53 [ G53]	Colour consistency	<3
Nominal lifetime (nom.)	40000 h	Color rendering index (nom.)	90
Switching cycle	50000X	LLMF at end of nominal lifetime (nom.)	70 %
Technical type	15-75W		
Light Technical		Operating and Electrical	
Colour code	927	Power (Rated) (Nom)	15 W
Beam Angle (Nom)	40 °	Lamp current (nom.)	1800 mA
Luminous flux (nom.)	830 lm	Wattage equivalent	75 W
Luminous intensity (nom.)	1400 cd	Starting time (nom.)	0.5 s
Colour designation	Warm White (WW)	Warm-up time to 60% light (nom.)	0.5 s
Correlated colour temperature (nom.)	2700 K	Power factor (nom.)	0.7
Luminous efficacy (rated) (nom.)	55.33 lm/W	Voltage (Nom)	12 V

# MASTER LEDspot LV AR111

## Temperature

T-Case maximum (nom.)	74 °C
-----------------------	-------

## Controls and Dimming

Dimmable	Yes
----------	-----

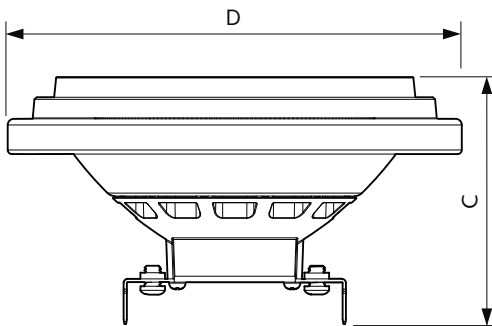
## Approval and Application

Energy efficiency label (EEL)	A
Suitable for accent lighting	Yes
Energy Consumption kWh/1000 h	17 kWh

## Product Data

Full product code	871869671676200
Order product name	MAS LEDspotLV D 15-75W 927 AR111 40D
EAN/UPC – product	8718696716762
Order code	71676200
Numerator – quantity per pack	1
Numerator – packs per outer box	6
Material no. (12NC)	929001170468
Net weight (piece)	0.360 kg

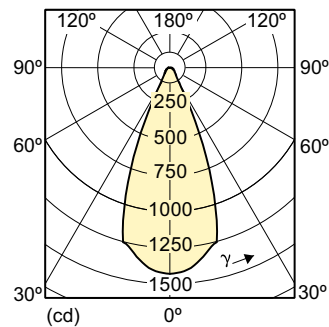
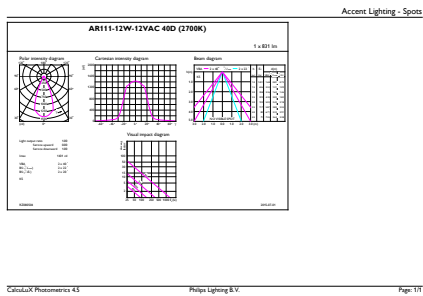
## Dimensional drawing



LED D 15-75W 927 AR111 40D

Product	D	C
MAS LEDspotLV D 15-75W 927 AR111 40D	111 mm	62 mm

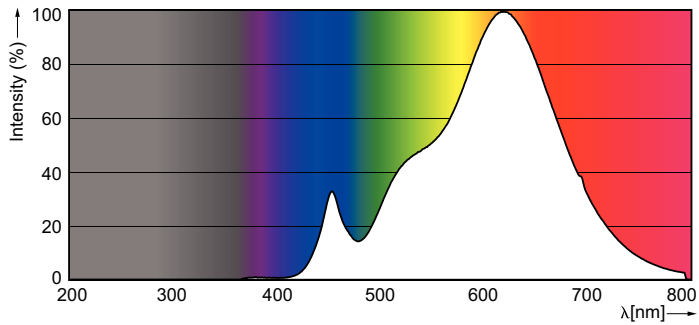
## Photometric data



MASTER LEDspot LV AR111 75W G53 927 40D

# MASTER LEDspot LV AR111

## Photometric data



SDPO\_LEDspotL\_0027-Spectral Power distribution

## Lifetime



MASTER LEDspotLV AR111 75W G53 940 40D



MASTER LEDspotLV AR111 75W G53 940 40D

