



MASTER LEDspot LV AR111

MAS LEDspotLV D 20-100W 830 AR111 12D

Delivering a warm, halogen-like accent beam, MASTER LEDspot LV AR111 is an ideal retrofit solution for spot and general lighting applications in the hospitality and retail industry. It is particularly suitable for general lighting where the light is on all the time, such as creative accent lighting applications in shops, restaurants, hotels, and especially for galleries, exhibitions and museums. The robustly designed MASTER LEDspot LV AR111 offers various beam angles for a clearly defined beam spread. There is no UV or IR in the beam, making it suitable for illuminating heat-sensitive objects (food, organic materials, paintings, etc.). The patented intelligent driver enables broad compatibility with existing electromagnetic and electronic halogen transformers. MASTER LEDspot LV AR111 delivers huge energy savings and minimises maintenance cost without any reduction in brightness.

Product data

General Information	
Cap-Base	G53 [G53]
Nominal lifetime	25,000 hour(s)
Switching Cycle	50,000
Lighting Technology	LED
EU RoHS compliant	Yes
Light Technical	
Color Code	830 [CCT of 3000K]
Beam Angle (Nom)	12 degree(s)
Luminous Flux	1,350 lm
Luminous Intensity (Nom)	10,000 cd
Color Designation	White (WH)
Correlated Color Temperature (Nom)	3000 K

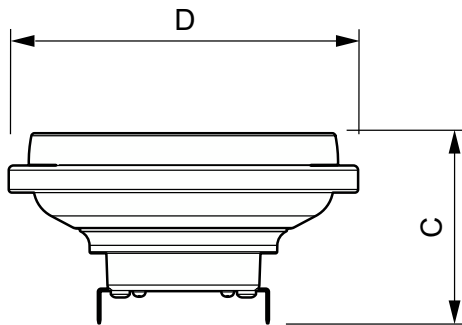
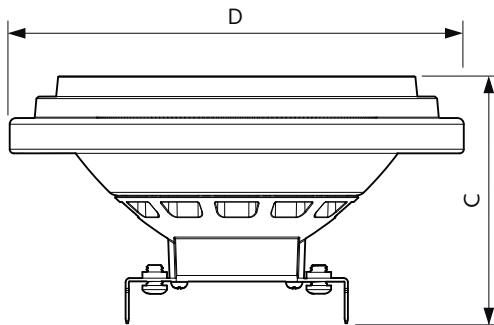
Luminous Efficacy (rated) (Nom)	67.50 lm/W
Color Consistency	<6
Color rendering index (CRI)	80
LLMF At End Of Nominal Lifetime (Nom)	70 %
Operating and Electrical	
Line Frequency	- Hz
Input Frequency	- Hz
Power Consumption	20 W
Lamp Current (Nom)	2,400 mA
Wattage Equivalent	100 W
Starting Time (Nom)	0.5 s
Warm-up time to 60% light	instant full light s
Power Factor (Fraction)	0.7

MASTER LEDspot LV AR111

Voltage (Nom)	12 V
Temperature	
T-Case Maximum (Nom)	80 °C
Controls and Dimming	
Dimmable	Yes
Mechanical and Housing	
Bulb Shape	AR111
Approval and Application	
Suitable For Accent Lighting	Yes
Energy Consumption kWh/1000 h	22 kWh

Product Data	
Order product name	MAS LEDspotLV D 20-100W 830 AR111 12D
Full product name	MAS LEDspotLV D 20-100W 830 AR111 12D
Full product code	871869651524200
Order code	929001170608
Material Nr. (12NC)	929001170608
Numerator - Quantity Per Pack	1
EAN/UPC - Product/Case	8718696515242
Numerator - Packs per outer box	6
EAN/UPC - Case	8718696515259

Dimensional drawing

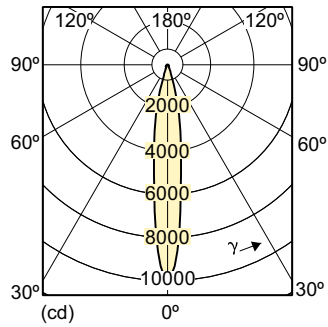


Product	D	C
MAS LEDspotLV D 20-100W 830 AR111 12D	111 mm	62.3 mm

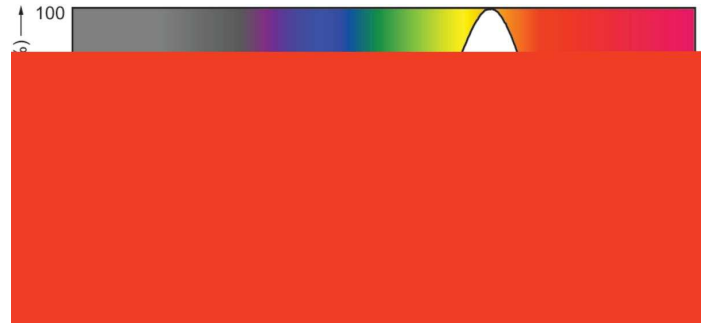
Product
MAS LEDspotLV D 20-100W 830 AR111 12D

MASTER LEDspot LV AR111

Photometric data



Light Distribution Diagram - MAS LEDspotLV D 20-100W 830 AR111 12D



Spectral Power Distribution Colour - MAS LEDspotLV D 20-100W 830 AR111 12D

