



MASTER LEDspot LV AR111

MAS LEDspotLV D 20-100W 840 AR111 12D

Delivering a warm, halogen-like accent beam, MASTER LEDspot LV AR111 is an ideal retrofit solution for spot and general lighting applications in the hospitality and retail industry. It is particularly suitable for general lighting where the light is on all the time, such as creative accent lighting applications in shops, restaurants, hotels, and especially for galleries, exhibitions and museums. The robustly designed MASTER LEDspot LV AR111 offers various beam angles for a clearly defined beam spread. There is no UV or IR in the beam, making it suitable for illuminating heat-sensitive objects (food, organic materials, paintings, etc.). The patented intelligent driver enables broad compatibility with existing electromagnetic and electronic halogen transformers. MASTER LEDspot LV AR111 delivers huge energy savings and minimizes maintenance cost without any reduction in brightness.

Product data

General Information	
Cap-Base	G53 [G53]
EU RoHS compliant	Yes
Nominal Lifetime (Nom)	25000 h
Switching Cycle	50000X
Technical Type	20-100W
Light Technical	
Color Code	841 [CCT of 4100K (841)]
Beam Angle (Nom)	12 °
Luminous Flux (Nom)	1400 lm
Luminous Intensity (Nom)	11000 cd
Color Designation	Cool White (CW)
Correlated Color Temperature (Nom)	4000 K

Luminous Efficacy (rated) (Nom)	70 lm/W
Color Consistency	<6
Color Rendering Index (Nom)	80
LLMF At End Of Nominal Lifetime (Nom)	70 %
Operating and Electrical	
Power (Rated) (Nom)	20 W
Lamp Current (Nom)	2400 mA
Wattage Equivalent	100 W
Starting Time (Nom)	0.5 s
Warm Up Time to 60% Light (Nom)	instant full light
Power Factor (Nom)	0.7
Voltage (Nom)	12 V

MASTER LEDspot LV AR111

Temperature

T-Case Maximum (Nom) 80 °C

Controls and Dimming

Dimmable Yes

Approval and Application

Suitable For Accent Lighting Yes

Energy Consumption kWh/1000 h 22 kWh

Product Data

Full product code 871869651526600

Order product name MAS LEDspotLV D 20-100W 840 AR111 12D

EAN/UPC - Product 8718696515266

Order code 929001170708

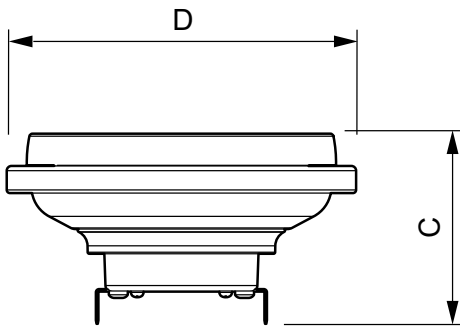
Numerator - Quantity Per Pack 1

Numerator - Packs per outer box 6

Material Nr. (12NC) 929001170708

Net Weight (Piece) 0.360 kg

Dimensional drawing

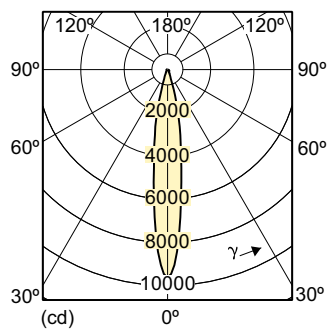


LED D 20-100W 840 AR111 12D

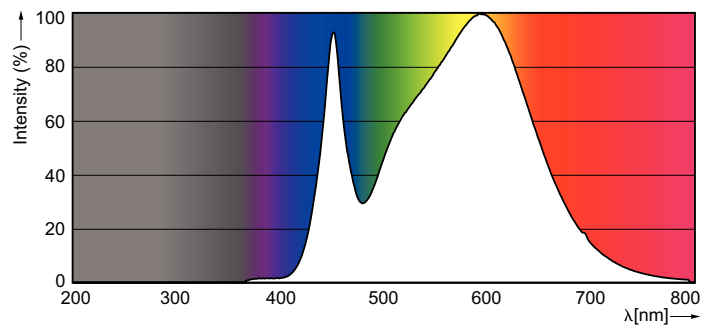
Product

MAS LEDspotLV D 20-100W 840 AR111 12D

Photometric data



20-100 W GX53 /840 AR111 12D



20-100W AR111 /840

MASTER LEDspot LV AR111

