



MASTER LEDspot LV AR111

MAS LEDspotLV D 20-100W 840 AR111 12D

With its new perfect-fit design, the Master LEDspot LV AR111 now works with most of G53 luminaires as a true retrofit solution. The lamp creates a brilliant visual effect for retail and hospitality applications such as shops, showrooms and galleries. The high quality light brings out the true colors in merchandise and emphasizes its beauty. It also lasts long, with a strong lumen and color maintenance. The beautifully designed lamp offers a well-defined beam with a multitude of beam angles to suit various applications. Not only does it employ the Philips patented solution to ensure it is compatible with a broad selection of standard 12V halogen electronic transformers, it also delivers high beam intensity which equivalent to halogen AR111 spots of 50W, 75W or 100W.

Product data

General Information		Color Consistency	
Cap-Base	G53 [G53]	Color Rendering Index (Nom)	80
EU RoHS compliant	Yes	LLMF At End Of Nominal Lifetime (Nom)	70 %
Nominal Lifetime (Nom)	25000 h	Operating and Electrical	
Switching Cycle	50000X	Power (Nom)	20 W
Technical Type	20-100W	Lamp Current (Nom)	2400 mA
Light Technical		Wattage Equivalent	100 W
Color Code	840 [CCT of 4000K]	Starting Time (Nom)	0.5 s
Beam Angle (Nom)	12 °	Warm Up Time to 60% Light (Nom)	instant full light
Luminous Flux (Nom)	1400 lm	Power Factor (Nom)	0.7
Luminous Intensity (Nom)	11000 cd	Voltage (Nom)	12 V
Color Designation	Cool White (CW)		
Correlated Color Temperature (Nom)	4000 K		
Luminous Efficacy (rated) (Nom)	70 lm/W		

MASTER LEDspot LV AR111

Temperature

T-Case Maximum (Nom) 80 °C

Controls and Dimming

Dimmable Yes

Approval and Application

Suitable For Accent Lighting Yes

Energy Consumption kWh/1000 h 22 kWh

Product Data

Full product code 871869651526600

Order product name MAS LEDspotLV D 20-100W 840 AR111 12D

EAN/UPC - Product 8718696515266

Order code 929001170708

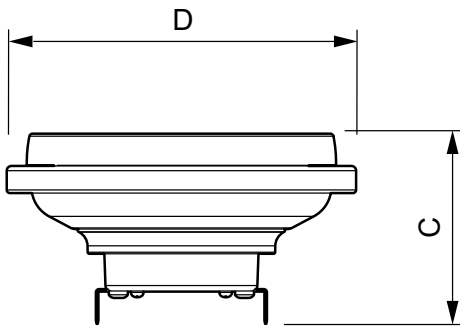
Numerator - Quantity Per Pack 1

Numerator - Packs per outer box 6

Material Nr. (12NC) 929001170708

Net Weight (Piece) 0.360 kg

Dimensional drawing

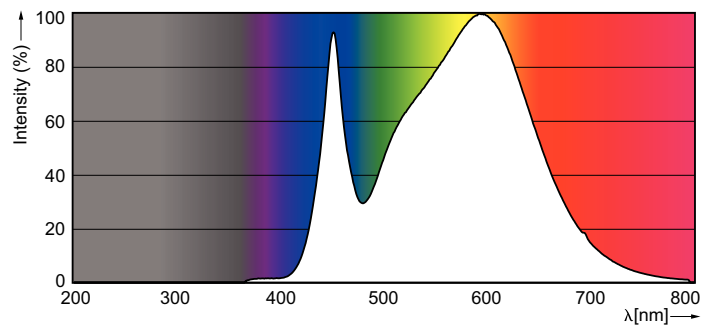
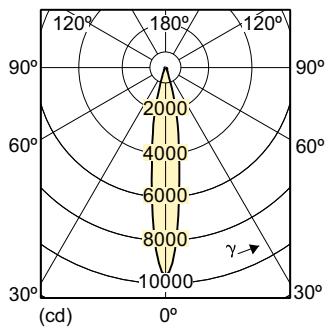


LED D 20-100W 840 AR111 12D

Product

MAS LEDspotLV D 20-100W 840 AR111 12D

Photometric data



MASTER LEDspot LV AR111

