



MASTER LEDspot LV AR111

MAS LEDspotLV D 20-100W 830 AR111 24D

Delivering a warm, halogen-like accent beam, MASTER LEDspot LV AR111 is an ideal retrofit solution for spot and general lighting applications in the hospitality and retail industry. It is particularly suitable for general lighting where the light is on all the time, such as creative accent lighting applications in shops, restaurants, hotels, and especially for galleries, exhibitions and museums. The robustly designed MASTER LEDspot LV AR111 offers various beam angles for a clearly defined beam spread. There is no UV or IR in the beam, making it suitable for illuminating heat-sensitive objects (food, organic materials, paintings, etc.). The patented intelligent driver enables broad compatibility with existing electromagnetic and electronic halogen transformers. MASTER LEDspot LV AR111 delivers huge energy savings and minimises maintenance cost without any reduction in brightness.

Product data

General Information		Operating and Electrical	
Cap base	G53 [G53]	Rated beam angle	24 °
Nominal lifetime (nom.)	25000 h	Correlated colour temperature (nom.)	3000 K
Switching cycle	50000X	Luminous efficacy (rated) (nom.)	60.00 lm/W
Technical type	20-100W	Colour consistency	<3
		Color rendering index (nom.)	80
		LLMF at end of nominal lifetime (nom.)	70 %
		Luminous Flux in 90° Cone (Rated)	1200 lm
Light Technical			
Colour code	830 [CCT of 3,000 K]	Power (Rated) (Nom)	20 W
Beam Angle (Nom)	24 °	Lamp current (nom.)	2400 mA
Light distribution	25D [Medium beam]	Wattage equivalent	100 W
Luminous flux (nom.)	1200 lm	Starting time (nom.)	0.5 s
Luminous flux (rated) (nom.)	1200 lm	Warm-up time to 60% light (nom.)	0.5 s
Luminous intensity (nom.)	6000 cd		
Colour designation	White (WH)		

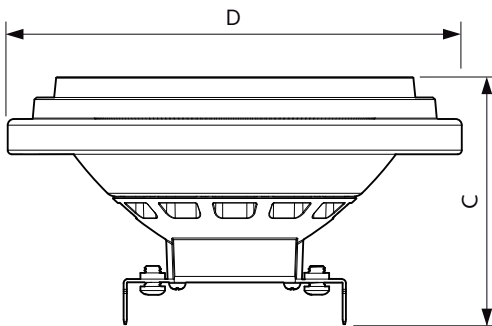
MASTER LEDspot LV AR111

Power factor (nom.)	0.7
Voltage (Nom)	12 V
Temperature	
T-Case maximum (nom.)	80 °C
Controls and Dimming	
Dimmable	Yes
Approval and Application	
Energy efficiency label (EEL)	A
Suitable for accent lighting	Yes
Energy Consumption kWh/1000 h	22 kWh

Product Data

Full product code	871869670743200
Order product name	MAS LEDspotLV D 20-100W 830 AR111 24D
EAN/UPC – product	8718696707432
Order code	70743200
Numerator – quantity per pack	1
Numerator – packs per outer box	6
Material no. (12NC)	929001170902
Net weight (piece)	0.160 kg

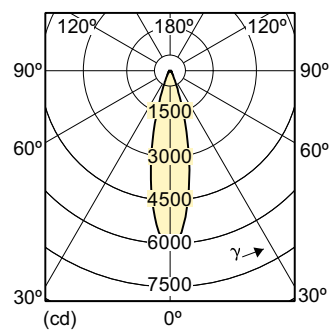
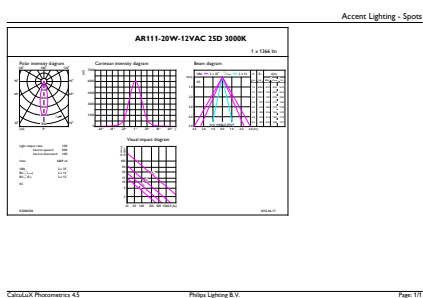
Dimensional drawing



MAS LEDspot LV D 20-100W 830 AR111 24D

Product	D	C
MAS LEDspotLV D 20-100W 830 AR111 24D	111 mm	62 mm

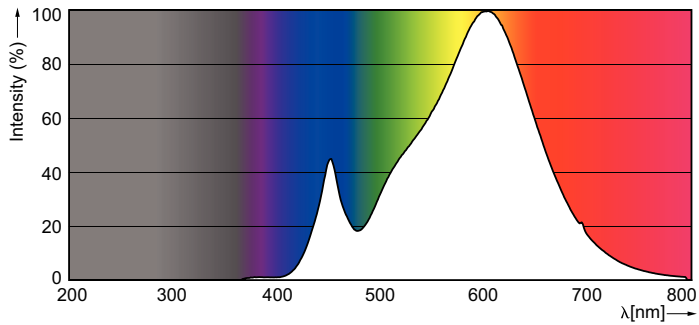
Photometric data



LEDspot, LEDspotLV 20-100W AR111 830 24D

MASTER LEDspot LV AR111

Photometric data



Lifetime



MASTER LEDspotLV AR111 100W G53 40D

MASTER LEDspotLV AR111 100W G53 40D

