



MASTER LEDspot LV AR111

MAS LEDspotLV D 20-100W 830 AR111 24D

Delivering a warm, halogen-like accent beam, MASTER LEDspot LV AR111 is an ideal retrofit solution for spot and general lighting applications in the hospitality and retail industry. It is particularly suitable for general lighting where the light is on all the time, such as creative accent lighting applications in shops, restaurants, hotels, and especially for galleries, exhibitions and museums. The robustly designed MASTER LEDspot LV AR111 offers various beam angles for a clearly defined beam spread. There is no UV or IR in the beam, making it suitable for illuminating heat-sensitive objects (food, organic materials, paintings, etc.). The patented intelligent driver enables broad compatibility with existing electromagnetic and electronic halogen transformers. MASTER LEDspot LV AR111 delivers huge energy savings and minimizes maintenance cost without any reduction in brightness.

Product data

General Information	
Cap base	G53 [G53]
EU RoHS compliant	Yes
Nominal lifetime (nom.)	25000 h
Switching cycle	50000X
Technical type	20-100W
Light Technical	
Colour code	830 [CCT of 3,000 K]
Beam Angle (Nom)	25 °
Luminous flux (nom.)	1280 lm
Luminous intensity (nom.)	5800 cd
Colour designation	White (WH)
Correlated Colour Temperature (Nom)	3000 K

Luminous efficacy (rated) (nom.)	64 lm/W
Colour consistency	<6
Color rendering index (nom.)	80
LLMF at end of nominal lifetime (nom.)	70 %
Operating and Electrical	
Power (Rated) (Nom)	20 W
Lamp current (nom.)	2400 mA
Wattage equivalent	100 W
Starting time (nom.)	0.5 s
Warm-up time to 60% light (nom.)	0.5 s
Power factor (nom.)	0.7
Voltage (Nom)	12 V

MASTER LEDspot LV AR111

Temperature

T-Case maximum (nom.)	80 °C
-----------------------	-------

Controls and Dimming

Dimmable	Yes
----------	-----

Approval and Application

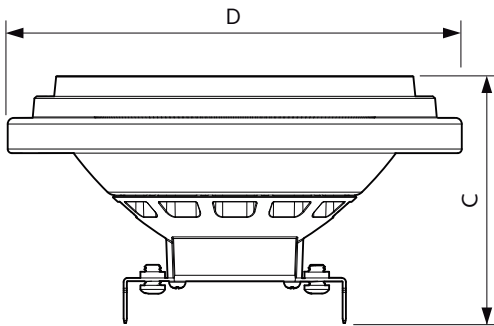
Suitable for accent lighting	Yes
Energy Consumption kWh/1000 h	22 kWh

Product Data

Full product code	871869651737600
-------------------	-----------------

Order product name	MAS LEDspotLV D 20-100W 830 AR111 24D
EAN/UPC – product	8718696517376
Order code	51737600
Numerator – quantity per pack	1
Numerator – packs per outer box	6
Material no. (12NC)	929001170908
Net weight (piece)	0.360 kg

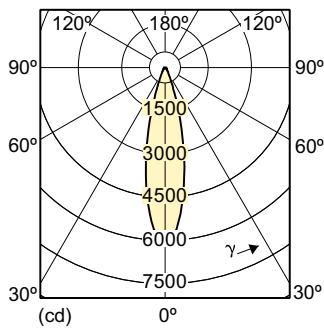
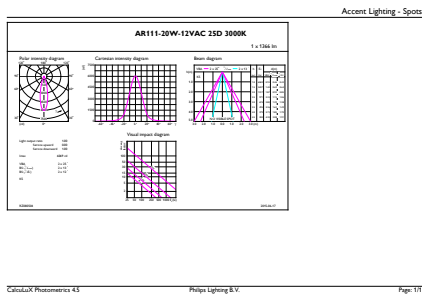
Dimensional drawing



MAS LEDspot LV D 20-100W 830 AR111 24D

Product	D	C
MAS LEDspotLV D 20-100W 830 AR111 24D	111 mm	62 mm

Photometric data

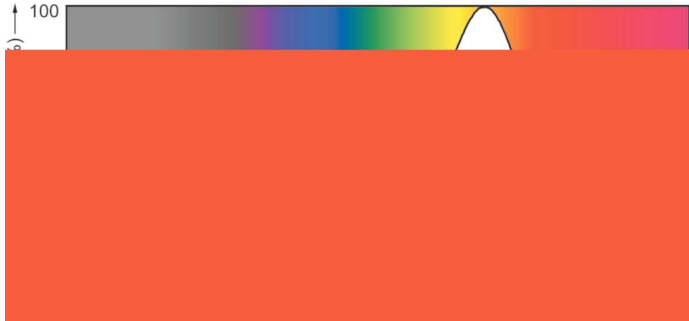


LEDspot, LEDspotLV 20-100W AR111 830 24D

LEDspot, LEDspotLV 20-100W AR111 830 24D

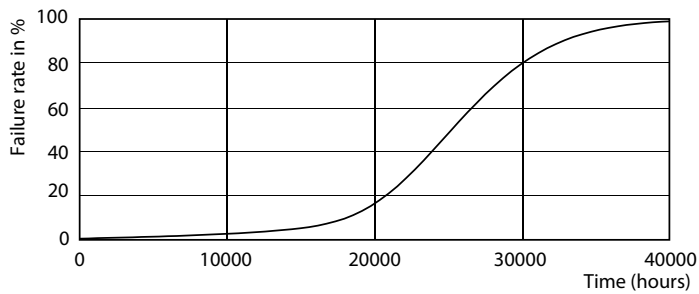
MASTER LEDspot LV AR111

Photometric data

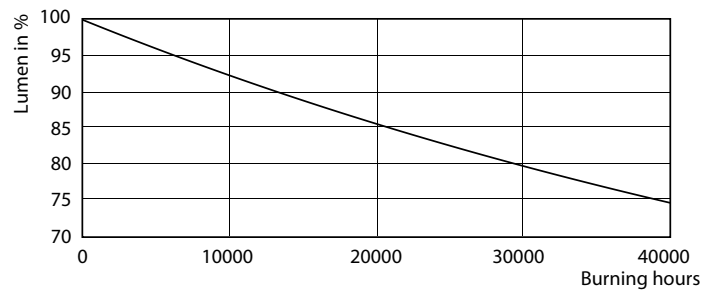


SDPO_LEDspotL_0023-Spectral Power distribution

Lifetime



MASTER LEDspotLV AR111 100W G53 40D



MASTER LEDspotLV AR111 100W G53 40D

