



# MASTER LEDspot LV AR111

## MAS LEDspotLV D 20-100W 827 AR111 40D

Delivering a warm, halogen-like accent beam, MASTER LEDspot LV AR111 is an ideal retrofit solution for spot and general lighting applications in the hospitality and retail industry. It is particularly suitable for general lighting where the light is on all the time, such as creative accent lighting applications in shops, restaurants, hotels, and especially for galleries, exhibitions and museums. The robustly designed MASTER LEDspot LV AR111 offers various beam angles for a clearly defined beam spread. There is no UV or IR in the beam, making it suitable for illuminating heat-sensitive objects (food, organic materials, paintings, etc.). The patented intelligent driver enables broad compatibility with existing electromagnetic and electronic halogen transformers. MASTER LEDspot LV AR111 delivers huge energy savings and minimises maintenance cost without any reduction in brightness.

### Product data

General Information		Colour consistency	
Cap base	G53 [ G53]	Colour consistency	<3
Nominal lifetime (nom.)	25000 h	Colour Rendering Index,horiz (Nom)	80
Switching cycle	50000X	LLMF at end of nominal lifetime (nom.)	70 %
Technical type	20-100W	<b>Operating and Electrical</b>	
<b>Light Technical</b>		Power (Rated) (Nom)	20 W
Colour Code	827 [ CCT of 2,700 K]	Lamp current (nom.)	2400 mA
Technical Beam Angle (Nom)	40 °	Wattage equivalent	100 W
Lamp Luminous Flux 25°C EL (Nom)	1300 lm	Starting time (nom.)	0.5 s
Luminous intensity (nom.)	2300 cd	Warm-up time to 60% light (nom.)	0.5 s
Colour Designation	Warm white (WW)	Power factor (nom.)	0.7
Colour Temperature, horizontal (Nom)	2700 K	Voltage (Nom)	12 V
Lamp Luminous Efficacy EM (Nom)	65 lm/W		

# MASTER LEDspot LV AR111

## Temperature

T-Case maximum (nom.)	80 °C
-----------------------	-------

## Controls and Dimming

Dimmable	Yes
----------	-----

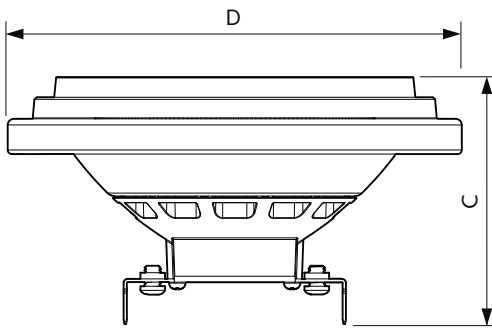
## Approval and Application

Energy efficiency label (EEL)	A
Suitable for accent lighting	Yes
Energy Consumption kWh/1000 h	22 kWh

## Product Data

Full product code	871869671087600
Order product name	MAS LEDspotLV D 20-100W 827 AR111 40D
EAN/UPC – product	8718696710876
Order code	929001171108
Numerator – quantity per pack	1
Numerator – packs per outer box	6
Material no. (12NC)	929001171108
Net weight (piece)	0.360 kg

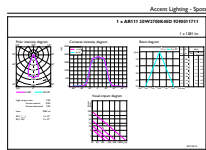
## Dimensional drawing



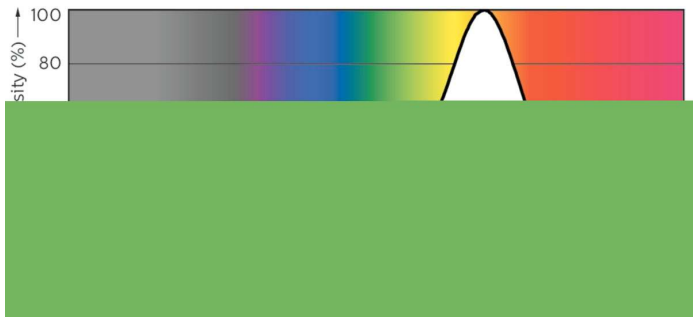
MAS LEDspot LV D 20-100W 827 AR111 40D

Product	D	C
MAS LEDspotLV D 20-100W 827 AR111 40D	111 mm	62 mm

## Photometric data



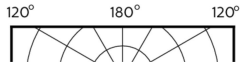
MASTER LEDspotLV 100W G53 827 40D



MASTER LEDspotLV AR111 100W G53 827 40D

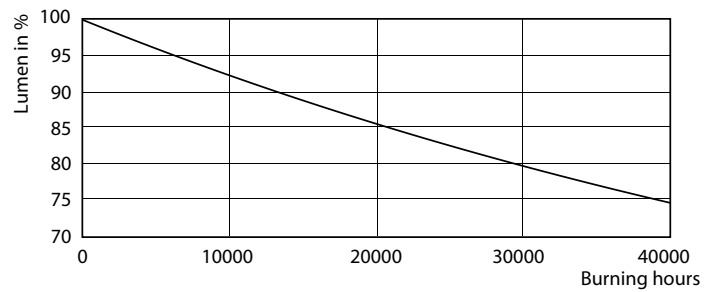
# MASTER LEDspot LV AR111

## Photometric data



MASTER LEDspotLV AR111 100W G53 827 40D

## Lifetime



MASTER LEDspotLV AR111 100W G53 40D

MASTER LEDspotLV AR111 100W G53 40D

