



MASTER LEDspot LV AR111

MAS LEDspotLV D 20-100W 830 AR111 40D

Delivering a warm, halogen-like accent beam, MASTER LEDspot LV AR111 is an ideal retrofit solution for spot and general lighting applications in the hospitality and retail industry. It is particularly suitable for general lighting where the light is on all the time, such as creative accent lighting applications in shops, restaurants, hotels, and especially for galleries, exhibitions and museums. The robustly designed MASTER LEDspot LV AR111 offers various beam angles for a clearly defined beam spread. There is no UV or IR in the beam, making it suitable for illuminating heat-sensitive objects (food, organic materials, paintings, etc.). The patented intelligent driver enables broad compatibility with existing electromagnetic and electronic halogen transformers. MASTER LEDspot LV AR111 delivers huge energy savings and minimises maintenance cost without any reduction in brightness.

Product data

General Information	
Cap base	G53 [G53]
Nominal lifetime (nom.)	25000 h
Switching cycle	50000X
Technical type	20-100W
Light Technical	
Colour Code	830 [CCT of 3,000 K]
Technical Beam Angle (Nom)	40 °
Light distribution	40D [Medium beam]
Lamp Luminous Flux 25°C EL (Nom)	1350 lm
Lamp Luminous Flux (Nom)	1350 lm
Luminous intensity (nom.)	2350 cd
Colour Designation	White (WH)

Rated beam angle	40 °
Colour Temperature, horizontal (Nom)	3000 K
Lamp Luminous Efficacy EM (Nom)	67.50 lm/W
Colour consistency	<6
Colour Rendering Index,horiz (Nom)	80
LLMF at end of nominal lifetime (nom.)	70 %
Operating and Electrical	
Power (Rated) (Nom)	20 W
Lamp current (nom.)	2400 mA
Wattage equivalent	100 W
Starting time (nom.)	0.5 s
Warm-up time to 60% light (nom.)	instant full light
Power factor (nom.)	0.7

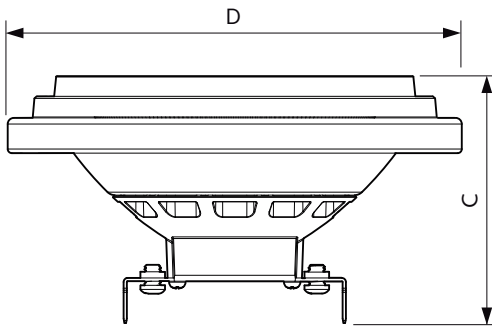
MASTER LEDspot LV AR111

Voltage (Nom)	12 V
Temperature	
T-Case maximum (nom.)	80 °C
Controls and Dimming	
Dimmable	yes
Approval and Application	
Suitable for accent lighting	Yes
Energy Consumption kWh/1000 h	22 kWh

Product Data

Full product code	871869651528000
Order product name	MAS LEDspotLV D 20-100W 830 AR111 40D
EAN/UPC – product	8718696515280
Order code	929001171208
Local Code	AR111100W83040D
Numerator – quantity per pack	1
Numerator – packs per outer box	6
Material no. (12NC)	929001171208
Net weight (piece)	0.360 kg

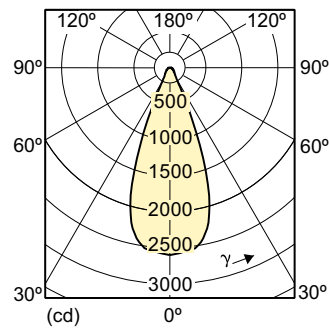
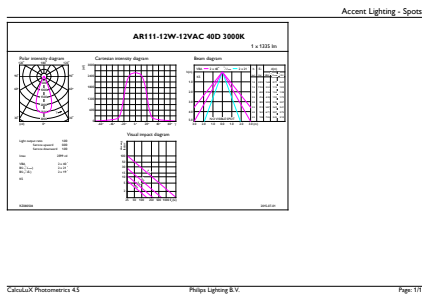
Dimensional drawing



Product	D	C
MAS LEDspotLV D 20-100W 830 AR111 40D	111 mm	62 mm

LED D 20-100W 830 AR111 40D

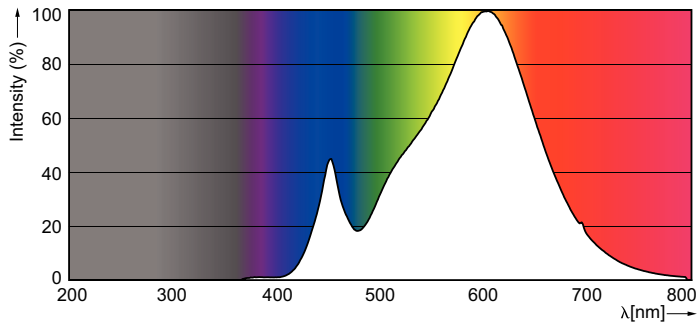
Photometric data



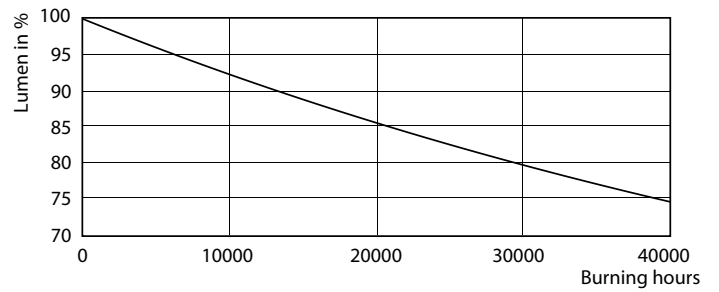
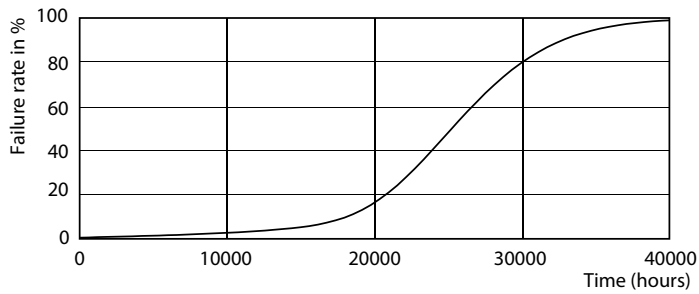
MASTER LEDspot LV AR111 100W G53 830 40D

MASTER LEDspot LV AR111

Photometric data



Lifetime



MASTER LEDspotLV AR111 100W G53 40D

MASTER LEDspotLV AR111 100W G53 40D

