



# MASTER LEDbulb

## MASTER LEDbulb DT 15-100W A67 E27 827 FR

The MASTER LEDbulb range delivers a dimmable glow effect for a welcoming, warm atmosphere, making it ideal for general lighting applications in the hospitality industry. Its unique design radiates warm light in all directions, making it a true alternative to the incandescent lamp. They are particularly suitable for public areas such as lobbies, corridors, stairwells, where the light is always on. Compatible with existing fixtures with an E27 holder and designed for retrofit replacement of incandescent bulbs, MASTER LEDbulb delivers huge energy savings and minimizes maintenance cost without any compromise on light quality. They can be used together with most leading-edge dimmers, enabling further efficiencies while helping to create the desired atmosphere.

### Product data

General Information	
Cap base	E27 [ E27]
Nominal lifetime (nom.)	25000 h
Switching cycle	50000X
Light Technical	
Colour code	822-827 [ tunable warm white]
Luminous flux (nom.)	1521 lm
Colour designation	Warm White (WW)
Correlated colour temperature (nom.)	2200-2700 K
Luminous efficacy (rated) (nom.)	101 lm/W
Colour consistency	<6
Color rendering index (nom.)	80
LLMF at end of nominal lifetime (nom.)	70 %
Operating and Electrical	
Input frequency	50 to 60 Hz

Power (Rated) (Nom)	15 W
Lamp current (nom.)	84 mA
Wattage equivalent	100 W
Starting time (nom.)	0.5 s
Warm-up time to 60% light (nom.)	0.5 s
Power factor (nom.)	0.7
Voltage (Nom)	220-240 V
Temperature	
T-Case maximum (nom.)	105 °C
Controls and Dimming	
Dimmable	Yes
Approval and Application	
Energy efficiency label (EEL)	A+
Energy-saving product	Yes

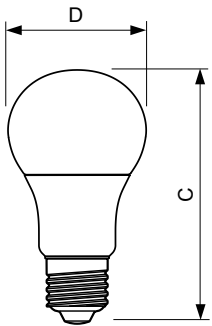
# MASTER LEDbulb

Suitable for accent lighting	No
Energy Consumption kWh/1000 h	15 kWh
<b>Product Data</b>	
Full product code	87186965555200
Order product name	MASTER LEDbulb DT 15-100W A67 E27 827 FR
EAN/UPC – product	8718696555552

Order code	55555200
Numerator – quantity per pack	1
Numerator – packs per outer box	6
Material no. (12NC)	929001184402
Net weight (piece)	0.131 kg

## Warnings and Safety

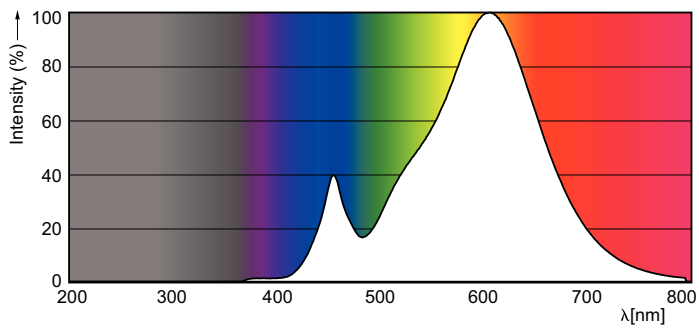
### Dimensional drawing



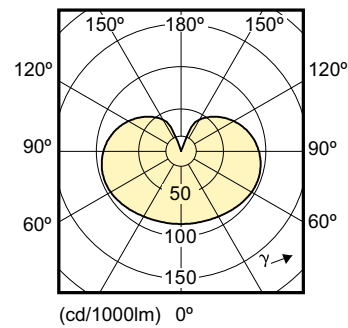
Bulb A21 230V18W-100W 152lm2700KE27D

Product	D	C
MASTER LEDbulb DT 15-100W A67 E27 827 FR	70.6 mm	137.2 mm

### Photometric data



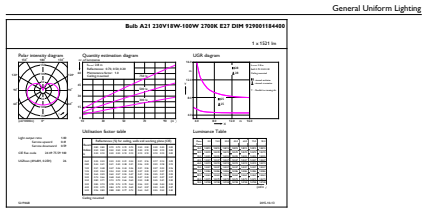
LEDbulb 100W A67 2700K



LEDbulb 75W, 100W A67 2700K

# MASTER LEDbulb

## Photometric data



### LEDbulb 100W A67 2700K

