



MASTER LEDbulb

MASTER LEDbulb DT 15-100W A67 E27 827 FR

The MASTER LEDbulb range delivers a dimmable glow effect for a welcoming, warm atmosphere, making it ideal for general lighting applications in the hospitality industry. Its unique design radiates warm light in all directions, making it a true alternative to the incandescent lamp. They are particularly suitable for public areas such as lobbies, corridors, stairwells, where the light is always on. Compatible with existing fixtures with an E27 holder and designed for retrofit replacement of incandescent bulbs, MASTER LEDbulb delivers huge energy savings and minimizes maintenance cost without any compromise on light quality. They can be used together with most leading-edge dimmers, enabling further efficiencies while helping to create the desired atmosphere.

Product data

| General Information | |
|---------------------------------------|-------------------------------|
| Base | E27 [E27] |
| EU RoHS compliant | Yes |
| Nominal Lifetime (Nom) | 25000 h |
| Switching Cycle | 50000X |
| Light Technical | |
| Color Code | 822-827 [tunable warm white] |
| Initial lumen (Nom) | 1521 lm |
| Color Designation | Warm White (WW) |
| Correlated Color Temperature (Nom) | 2200-2700 K |
| Luminous Efficacy (rated) (Nom) | 101 lm/W |
| Color Consistency | <6 |
| Color Rendering Index (Nom) | 80 |
| LLMF At End Of Nominal Lifetime (Nom) | 70 % |

| Operating and Electrical | |
|---------------------------------|-------------|
| Input Frequency | 50 to 60 Hz |
| Power (Rated) (Nom) | 15 W |
| Lamp Current (Nom) | 84 mA |
| Wattage Equivalent | 100 W |
| Starting Time (Nom) | 0.5 s |
| Warm Up Time to 60% Light (Nom) | 0.5 s |
| Power Factor (Nom) | 0.7 |
| Voltage (Nom) | 220-240 V |
| Temperature | |
| T-Case Maximum (Nom) | 105 °C |
| Controls and Dimming | |
| Dimmable | Yes |

MASTER LEDbulb

Approval and Application

| | |
|-------------------------------|--------|
| Energy Efficiency Label (EEL) | A+ |
| Energy Saving Product | Yes |
| Suitable For Accent Lighting | No |
| Energy Consumption kWh/1000 h | 15 kWh |

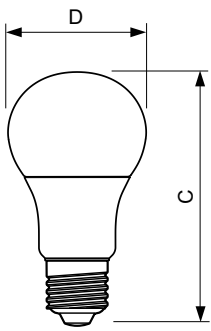
Product Data

| | |
|--------------------|--|
| Order product name | MASTER LEDbulb DT 15-100W A67 E27 827 FR |
|--------------------|--|

| | |
|---------------------------------|---------------|
| EAN/UPC - Product | 8718696555552 |
| Order code | 346130 |
| Numerator - Quantity Per Pack | 1 |
| Numerator - Packs per outer box | 6 |
| Material Nr. (12NC) | 929001184402 |
| Net Weight (Piece) | 0.131 kg |

Warnings and Safety

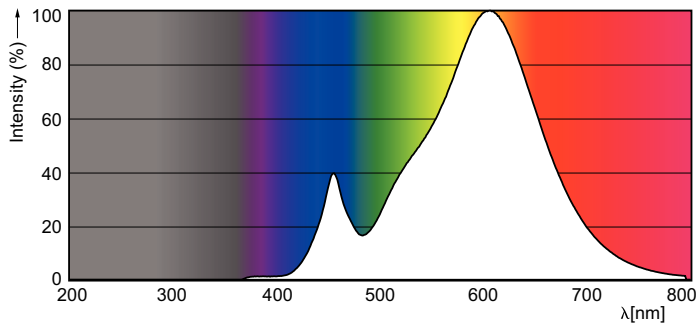
Dimensional drawing



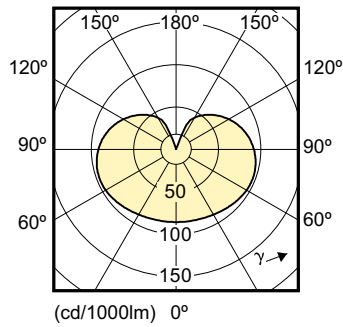
Bulb A21 230V18W-100W 152lm2700KE27D

| Product | D | C |
|--|---------|----------|
| MASTER LEDbulb DT 15-100W A67 E27 827 FR | 70.6 mm | 137.2 mm |

Photometric data



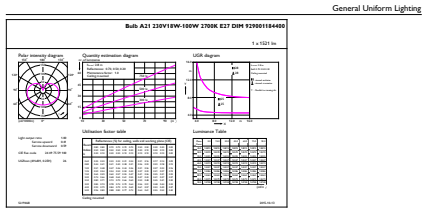
LEDbulb 100W A67 2700K



LEDbulb 75W, 100W A67 2700K

MASTER LEDbulb

Photometric data



LEDbulb 100W A67 2700K

