



# MASTER LEDtube EM/ Mains

## Master LEDTube 600 mm 10W 865 T8 I W

The Philips MASTER LEDtube integrates a LED light source into a traditional fluorescent form factor. Its unique design creates a perfectly uniform visual appearance which cannot be distinguished from traditional fluorescent. For those that are looking for value for money within limited budget and re-lamping efforts for better light effect and lifetime.

### Product data

| General Information                    |                                  |
|----------------------------------------|----------------------------------|
| Cap base                               | G13 [ Medium Bi-Pin Fluorescent] |
| Nominal lifetime (nom.)                | 40000 h                          |
| Switching cycle                        | 50000X                           |
| Light Technical                        |                                  |
| Colour code                            | 865 [ CCT of 6,500 K]            |
| Beam Angle (Nom)                       | 160 °                            |
| Luminous flux (nom.)                   | 1050 lm                          |
| Correlated colour temperature (nom.)   | 6500 K                           |
| Colour consistency                     | <6                               |
| Color rendering index (nom.)           | 82                               |
| LLMF at end of nominal lifetime (nom.) | 70 %                             |
| Operating and Electrical               |                                  |
| Input frequency                        | 50 to 60 Hz                      |
| Power (Rated) (Nom)                    | 10 W                             |
| Starting time (nom.)                   | 0.5 s                            |
| Warm-up time to 60% light (nom.)       | instant full light s             |
| Power factor (nom.)                    | 0.92                             |

| Voltage (Nom)                 | 100-240 V |
|-------------------------------|-----------|
| Temperature                   |           |
| T ambient (max.)              | 45 °C     |
| T ambient (min.)              | -20 °C    |
| T storage (max.)              | 65 °C     |
| T storage (min.)              | -40 °C    |
| T-Case maximum (nom.)         | 70 °C     |
| Controls and Dimming          |           |
| Dimmable                      | No        |
| Mechanical and Housing        |           |
| Product length                | 600 mm    |
| Approval and Application      |           |
| Energy efficiency label (EEL) | A+        |
| Energy-saving product         | Yes       |
| Suitable for accent lighting  | No        |

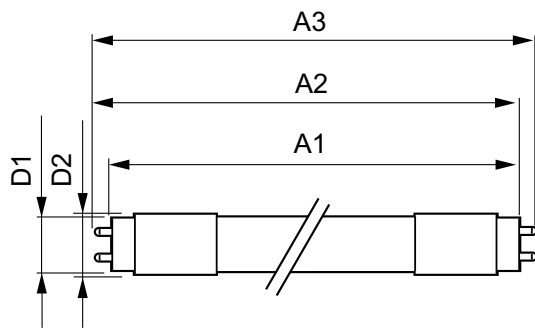
# MASTER LEDtube EM/Mains

|                               |                                                  |
|-------------------------------|--------------------------------------------------|
| Approval marks                | CE marking RoHS compliance KEMA Keur certificate |
| Energy Consumption kWh/1000 h | 10 kWh                                           |
| <b>Product Data</b>           |                                                  |
| Full product code             | 871869652410700                                  |
| Order product name            | Master LEDTube 600 mm 10W 865 T8 I W             |
| EAN/UPC – product             | 8718696524107                                    |

|                                 |              |
|---------------------------------|--------------|
| Order code                      | 52410700     |
| Numerator – quantity per pack   | 1            |
| Numerator – packs per outer box | 10           |
| Material no. (12NC)             | 929001188012 |
| Net weight (piece)              | 0.134 kg     |

## Warnings and Safety

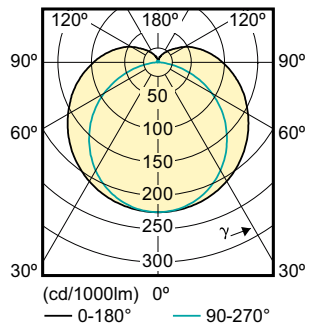
### Dimensional drawing



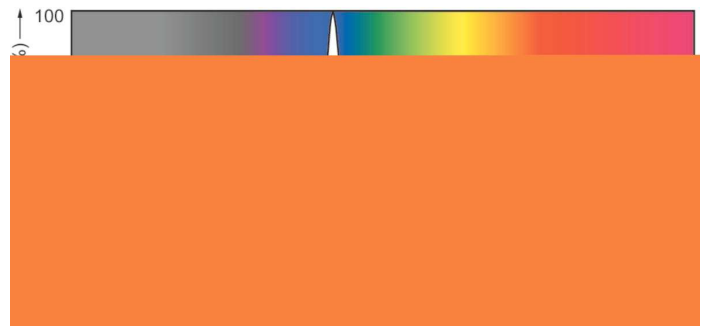
LEDtube 600mm 10W/865 T8 I W

| Product                              | D1      | D2      | A1       | A2       | A3       |
|--------------------------------------|---------|---------|----------|----------|----------|
| Master LEDTube 600 mm 10W 865 T8 I W | 25.6 mm | 27.8 mm | 588.6 mm | 595.7 mm | 602.8 mm |

### Photometric data



SDLD\_MLEDGA\_0053-Light distribution diagram



SDPO\_MLEDGA\_0071-Spectral Power distribution

## MASTER LEDtube EM/Mains

