

MASTER LEDtube EM/ Mains T8

Master LEDTube 600 mm 10W 865 T8 I W

The Philips MASTER LEDtube integrates a LED light source into a traditional fluorescent form factor. Its unique design creates a perfectly uniform visual appearance which cannot be distinguished from traditional fluorescent. For those that are looking for value for money within limited budget and re-lamping efforts for better light effect and lifetime.

Product data

General Information	
Cap-Base	G13 [Medium Bi-Pin Fluorescent]
EU RoHS compliant	Yes
Nominal Lifetime (Nom)	40000 h
Switching Cycle	50000X
Light Technical	
Color Code	865 [CCT of 6500K]
Beam Angle (Nom)	160 °
Luminous Flux (Nom)	1050 lm
Correlated Color Temperature (Nom)	6500 K
Color Consistency	<6
Color Rendering Index (Nom)	82
LLMF At End Of Nominal Lifetime (Nom)	70 %
Operating and Electrical	
Input Frequency	50 to 60 Hz
Power (Nom)	10 W
Starting Time (Nom)	0.5 s
Warm Up Time to 60% Light (Nom)	instant full light s

Power Factor (Nom)	0.92
Voltage (Nom)	100-240 V
Temperature	
T-Ambient (Max)	45 °C
T-Ambient (Min)	-20 °C
T-Storage (Max)	65 °C
T-Storage (Min)	-40 °C
T-Case Maximum (Nom)	70 °C
Controls and Dimming	
Dimmable	No
Mechanical and Housing	
Product Length	600 mm
Approval and Application	
Energy Efficiency Label (EEL)	A+
Energy Saving Product	Yes
Suitable For Accent Lighting	No

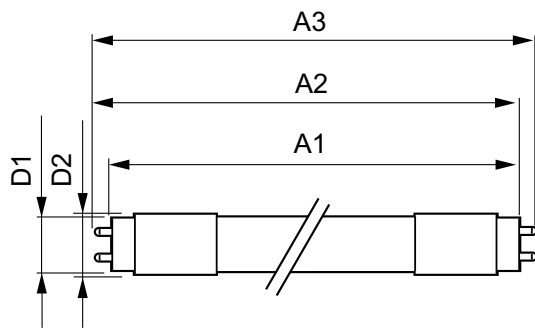
MASTER LEDtube EM/Mains T8

Approval Marks	CE marking RoHS compliance KEMA Keur certificate
Energy Consumption kWh/1000 h	10 kWh
Product Data	
Full product code	871869652410700
Order product name	Master LEDTube 600 mm 10W 865 T8 I W
EAN/UPC - Product	8718696524107

Order code	929001188012
Numerator - Quantity Per Pack	1
Numerator - Packs per outer box	10
Material Nr. (12NC)	929001188012
Net Weight (Piece)	0.134 kg

Warnings and Safety

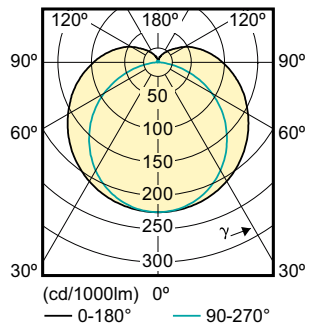
Dimensional drawing



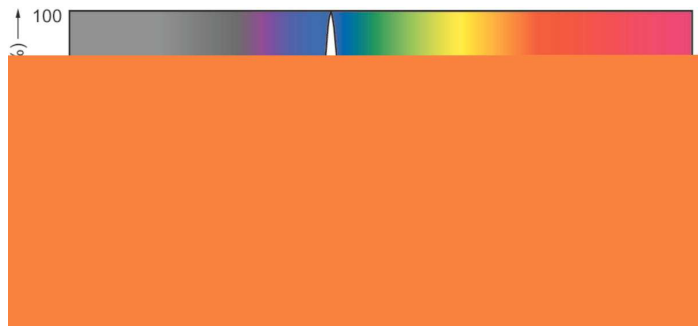
LEDtube 600mm 10W/865 T8 I W

Product	D1	D2	A1	A2	A3
Master LEDTube 600 mm 10W 865 T8 I W	25.6 mm	27.8 mm	588.6 mm	595.7 mm	602.8 mm

Photometric data



SDLD_MLEDGA_0053-Light distribution diagram



SDPO_MLEDGA_0071-Spectral Power distribution

MASTER LEDtube EM/Mains T8

