



# LED A15

## 2A15/LED/822/FCL/ND 120V 6/1

Philips A15 LED Lamps offer energy saving ambience with an elegant effect. Their unique design provides light in all directions, giving lighting designers a long life alternative to standard incandescent sources.

### Product data

General Information	
Base	E26 [ Single Contact Medium Screw]
EU RoHS compliant	Yes
Nominal Lifetime (Nom)	15000 h
Switching Cycle	20000X
Technical Type	2-25W

Light Technical	
Color Code	822 [ CCT of 2200K]
Initial lumen (Nom)	220 lm
Luminous Flux (Rated) (Nom)	220 lm
Color Designation	Warm/Extra Warm/Very Warm
Correlated Color Temperature (Nom)	2200 K
Luminous Efficacy (rated) (Nom)	110 lm/W
Color Consistency	ANSI
Color Rendering Index (Nom)	80
LLMF At End Of Nominal Lifetime (Nom)	70 %

Operating and Electrical	
Input Frequency	50 or 60 Hz
Power (Rated) (Nom)	2 W
Lamp Current (Nom)	44 mA
Starting Time (Nom)	0.5 s

Warm Up Time to 60% Light (Nom)	0.5 s
Power Factor (Nom)	0.4
Voltage (Nom)	110-130 V

Controls and Dimming	
Dimmable	No

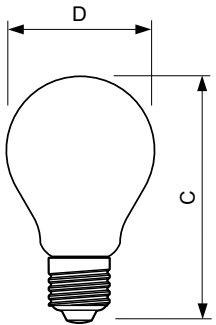
Mechanical and Housing	
Bulb Finish	Clear

Approval and Application	
Energy Consumption kWh/1000 h	- kWh

Product Data	
XUCDM.COPY.Product.Title	2A15/LEDFilament/822/CL/ND 120V
EAN/UPC - Product	046677461119
Order code	461111
Numerator - Quantity Per Pack	1
Numerator - Packs per outer box	10
Material Nr. (12NC)	929001209604
Net Weight (Piece)	0.014 kg

# LED A15

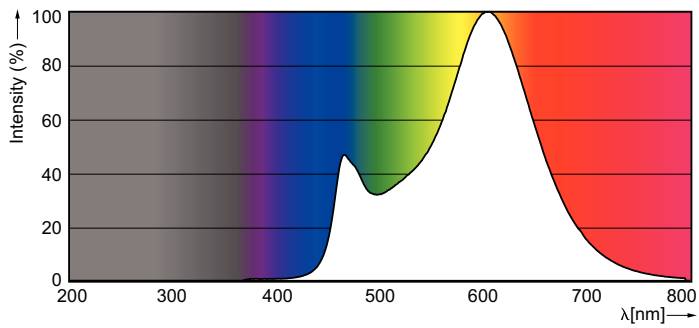
## Dimensional drawing



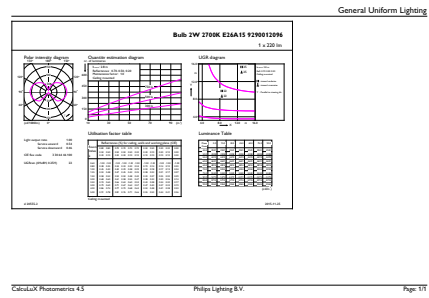
Filament Bulb A15 CL 2W-25W 250lm E26 ND

Product	D	C
2A15/LEDFilament/822/CL/ND 120V	47 mm	80 mm

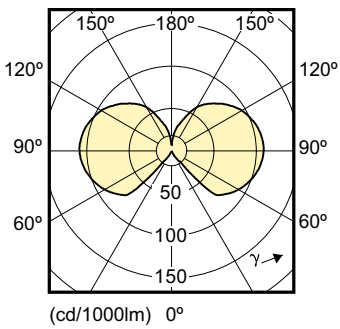
## Photometric data



LEDlamps, LEDFilament 2-25W A15 WW 2200K 220lm



LEDlamps, LEDFilament 2-25W A15 WW 2200K 220lm



LEDlamps, LEDFilament 2-25W A15 WW 2200K 220lm

## LED A15

