

LED A19-A21

4.5A19b/LEDFilament/820/CL-A/DIM 120V

Philips A19/A21 LED lamps are the smart alternative to standard incandescent. The unique lamp design provides omni-directional light with excellent dimming performance.

Product data

General Information	
Base	E26 [Single Contact Medium Screw]
EU RoHS compliant	Yes
Nominal Lifetime (Nom)	15000 h
Switching Cycle	20000X
Technical Type	4.5-32W
Light Technical	
Color Code	820 [CCT of 2000K]
Initial lumen (Nom)	350 lm
Color Designation	Warm
Correlated Color Temperature (Nom)	2000 K
Luminous Efficacy (rated) (Nom)	77 lm/W
Color Consistency	ANSI
Color Rendering Index (Nom)	80
LLMF At End Of Nominal Lifetime (Nom)	70 %
Operating and Electrical	
Input Frequency	50 or 60 Hz
Power (Rated) (Nom)	4.5 W
Lamp Current (Nom)	50 mA
Starting Time (Nom)	0.5 s
Warm Up Time to 60% Light (Nom)	0.5 s

Power Factor (Nom)	0.7
Voltage (Nom)	110-130 V
Controls and Dimming	
Dimmable	Yes
Mechanical and Housing	
Bulb Finish	Amber
Approval and Application	
Energy Consumption kWh/1000 h	- kWh
Product Data	
Order product name	4.5A19b/LEDFilament/820/CL-A/DIM 120V
EAN/UPC - Product	046677461669
Order code	461665
Numerator - Quantity Per Pack	1
Numerator - Packs per outer box	12
Material Nr. (12NC)	929001210104
Net Weight (Piece)	0.030 kg

LED A19-A21

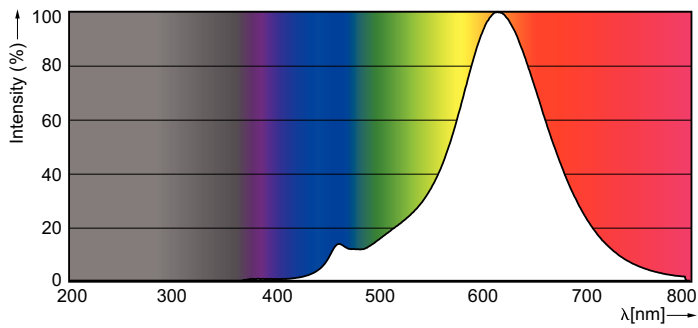
Dimensional drawing



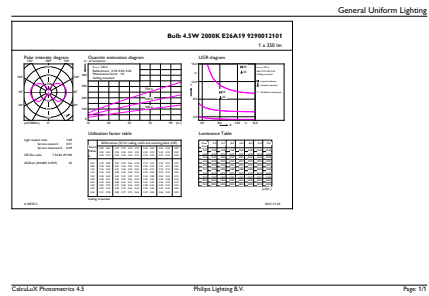
Filament Bulb A19 CL 4.5-40W 550lm E26 D

Product	D	C
4.5A19b/LEDFilament/820/CL-A/DIM 120V	60 mm	106 mm

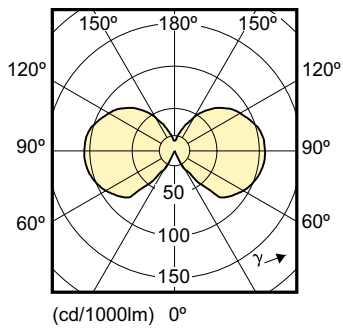
Photometric data



LEDlamps, LEDFilament Amber 2000K



LEDlamps, LEDFilament 4.5-40W A19 Amber 2000K 350lm



LEDlamps, LEDFilament 4.5-40W A19 Amber 2000K 350lm

LED A19-A21

