



CorePro LEDbulbs

CorePro LEDbulb ND 13-100W A60 E27 827

Delivering a warm, halogen-like accent beam, LEDspots are a perfect fit for spot lighting and have a broad compatibility with transformers. LEDspots are compatible with most existing fixtures with a GU10 / MR16 GU5.3 / E14 holder and are designed as a retrofit replacement for halogen or incandescent spots. LEDbulbs are compatible with existing fixtures with an E27 holder and are designed for retrofit replacement of incandescent bulbs. LEDcandle and LEDcluster are compatible with existing fixtures with an E27/E14 holder and are designed for retrofit replacement of incandescent lamps. LEDlamps deliver huge energy savings and minimize maintenance cost

Product data

General Information	
Cap base	E27 [E27]
Nominal lifetime (nom.)	15000 h
Switching cycle	50000X
Technical type	13-100W
Light Technical	
Colour Code	827 [CCT of 2,700 K]
Technical Beam Angle (Nom)	200 °
Lamp Luminous Flux 25°C EL (Nom)	1521 lm
Colour Designation	Warm white (WW)
Colour Temperature, horizontal (Nom)	2700 K
Lamp Luminous Efficacy EM (Nom)	117.00 lm/W
Colour consistency	<6
Colour Rendering Index, horiz (Nom)	80
LLMF at end of nominal lifetime (nom.)	70 %

Operating and Electrical	
Input frequency	50 to 60 Hz
Power (Rated) (Nom)	13 W
Lamp current (nom.)	120 mA
Wattage equivalent	100 W
Starting time (nom.)	0.5 s
Warm-up time to 60% light (nom.)	0.5 s
Power factor (nom.)	0.5
Voltage (Nom)	220-240 V
Temperature	
T-Case maximum (nom.)	85 °C
Controls and Dimming	
Dimmable	No

CorePro LEDbulbs

Mechanical and Housing

Bulb finish	Frosted
-------------	---------

Approval and Application

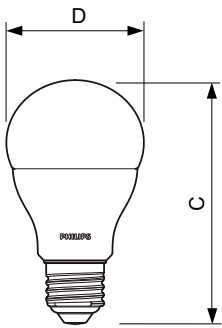
Energy efficiency label (EEL)	A+
Energy Consumption kWh/1000 h	13 kWh

Product Data

Full product code	871869649074700
-------------------	-----------------

Order product name	CorePro LEDbulb ND 13-100W A60 E27 827
EAN/UPC – product	8718696490747
Order code	929001234502
Numerator – quantity per pack	1
Numerator – packs per outer box	10
Material no. (12NC)	929001234502
Net weight (piece)	0.080 kg

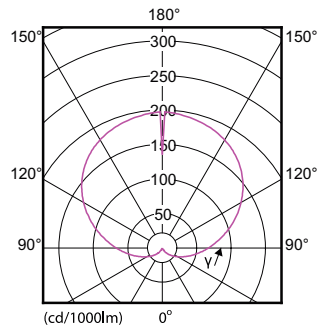
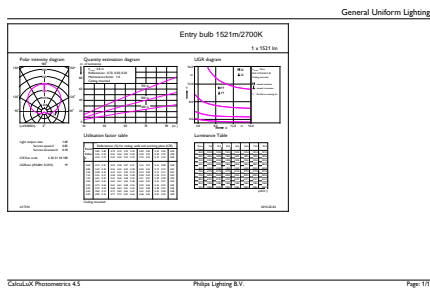
Dimensional drawing



Entry bulb 230V 13.5W-100W 2700K E27 ND

Product	D	C
CorePro LEDbulb ND 13-100W A60 E27 827	60 mm	110 mm

Photometric data

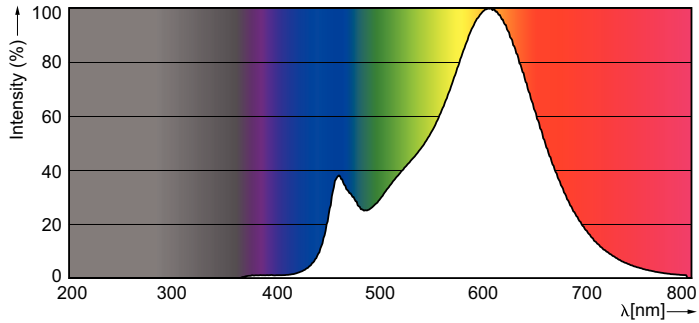


CorePro LEDbulb ND 13-100W A60

CorePro LEDbulb ND 13-100W A60

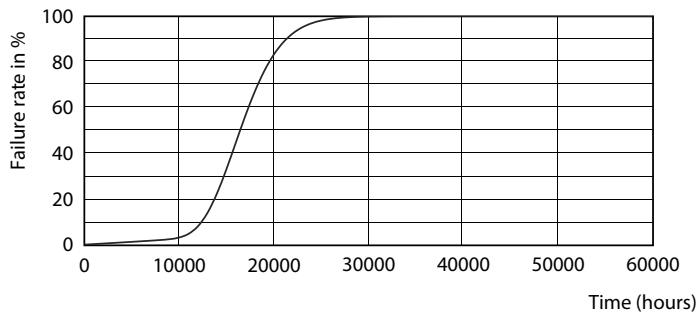
CorePro LEDbulbs

Photometric data

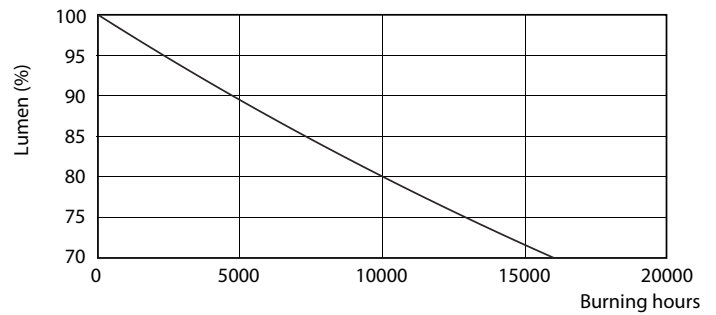


SDPO_LED Bulb_0021-Spectral Power distribution

Lifetime



LEDbulb 100W E27 840 FR A60



LEDbulb 100W E27 840 FR A60

