



CorePro LEDbulbs

CorePro LEDbulb ND 10-75W A60 E27 840

Delivering a warm, halogen-like accent beam, LEDspots are a perfect fit for spot lighting and have a broad compatibility with transformers. LEDspots are compatible with most existing fixtures with a GU10 / MR16 GU5.3 / E14 holder and are designed as a retrofit replacement for halogen or incandescent spots. LEDbulbs are compatible with existing fixtures with an E27 holder and are designed for retrofit replacement of incandescent bulbs. LEDcandle and LEDcluster are compatible with existing fixtures with an E27/E14 holder and are designed for retrofit replacement of incandescent lamps. LEDlamps deliver huge energy savings and minimize maintenance cost

Product data

General Information	
Cap base	E27 [E27]
Nominal lifetime (nom.)	15000 h
Switching cycle	50000X
Technical type	10-75W
Light Technical	
Colour Code	840 [CCT of 4,000 K]
Technical Beam Angle (Nom)	200 °
Lamp Luminous Flux 25°C EL (Nom)	1055 lm
Lamp Luminous Flux (Nom)	1055 lm
Colour Designation	Cool White (CW)
Colour Temperature, horizontal (Nom)	4000 K
Lamp Luminous Efficacy EM (Nom)	105.00 lm/W
Colour consistency	<6
Colour Rendering Index,horiz (Nom)	80
LLMF at end of nominal lifetime (nom.)	70 %

Operating and Electrical	
Input frequency	50 to 60 Hz
Power (Rated) (Nom)	10 W
Lamp current (nom.)	95 mA
Wattage equivalent	75 W
Starting time (nom.)	0.5 s
Warm-up time to 60% light (nom.)	0.5 s
Power factor (nom.)	0.5
Voltage (Nom)	220-240 V
Temperature	
T-Case maximum (nom.)	80 °C
Controls and Dimming	
Dimmable	No

CorePro LEDbulbs

Mechanical and Housing

Bulb finish: Frosted

Approval and Application

Energy efficiency label (EEL): A+

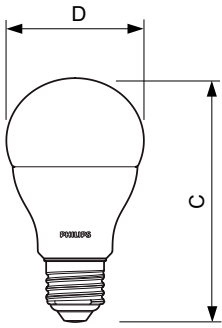
Energy Consumption kWh/1000 h: 10 kWh

Product Data

Full product code: 871869651032200

Order product name	CorePro LEDbulb ND 10-75W A60 E27 840
EAN/UPC – product	8718696510322
Order code	929001234802
Numerator – quantity per pack	1
Numerator – packs per outer box	10
Material no. (12NC)	929001234802
Net weight (piece)	0.076 kg

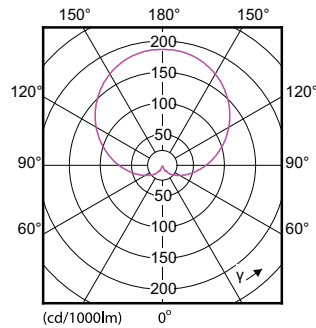
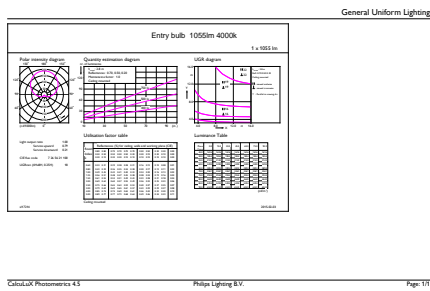
Dimensional drawing



Entry bulb 230V 10.5W-75W 4000K E27 ND

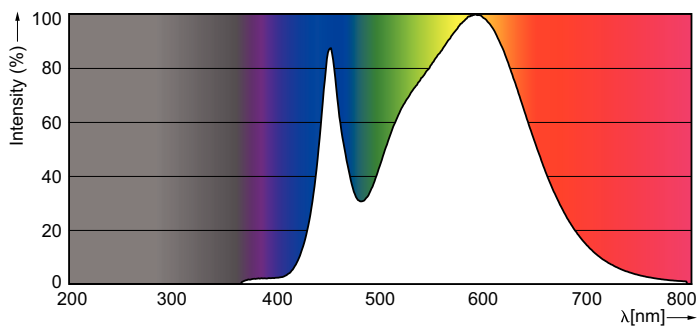
Product	D	C
CorePro LEDbulb ND 10-75W A60 E27 840	60 mm	110 mm

Photometric data



CorePro LEDbulb ND 10-75W A60

CorePro LEDbulb ND 10-75W A60

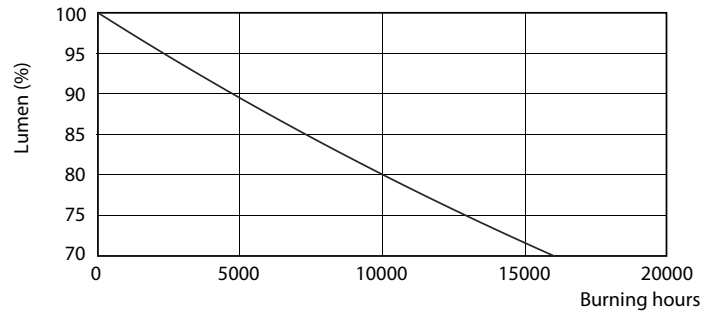


CorePro LEDbulbs

Lifetime



LEDbulb 100W E27 840 FR A60



LEDbulb 100W E27 840 FR A60

