



# MASTER LEDspot ExpertColor LV

## MASTER LED ExpertColor LED MR16 ExpertColor 7.2-50W 927 24D

MASTER LEDspot LV ExpertColor creates a warm and comfortable ambience for hospitality venues, homes and restaurants. It creates such an ambience with superior lighting that has a customized spectrum, high CRI, and deep dimming feature. The result? A beautiful lighting experience. What's more, the innovative, trimless lens design will suit almost any interior decor with its clean and neat look. In addition, you can take advantage of the full ExpertColor family, which also includes LEDspot MV and LEDspot Par lamps.

### Product data

General Information		Color Rendering Index (Nom)	
Cap-Base	GU5.3 [ GU5.3]		97
EU RoHS compliant	Yes	LLMF At End Of Nominal Lifetime (Nom) 70 %	
Nominal Lifetime (Nom)	40000 h	Operating and Electrical	
Switching Cycle	50000X	Power (Nom)	7.2 W
Technical Type	7.2-50W	Lamp Current (Nom)	800 mA
		Wattage Equivalent	50 W
		Starting Time (Nom)	0.5 s
		Warm Up Time to 60% Light (Nom)	1 s
		Power Factor (Nom)	0.7
		Voltage (Nom)	12 V
		Temperature	
		T-Case Maximum (Nom)	92 °C
Light Technical			
Color Code	927		
Beam Angle (Nom)	24 °		
Luminous Flux (Nom)	450 lm		
Luminous Intensity (Nom)	2200 cd		
Color Designation	Warm White (WW)		
Correlated Color Temperature (Nom)	2700 K		
Luminous Efficacy (rated) (Nom)	62.50 lm/W		
Color Consistency	<3		

# MASTER LEDspot ExpertColor LV

## Controls and Dimming

Dimmable	Yes
----------	-----

## Approval and Application

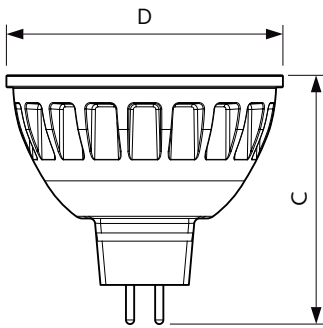
Energy Saving Product	Yes
Suitable For Accent Lighting	Yes

## Product Data

Full product code	871869657177400
Order product name	MASTER LED ExpertColor LED MR16 ExpertColor 7.2-50W 927 24D

EAN/UPC - Product	8718696571774
Order code	929001242208
Numerator - Quantity Per Pack	1
Numerator - Packs per outer box	10
Material Nr. (12NC)	929001242208
Net Weight (Piece)	0.034 kg

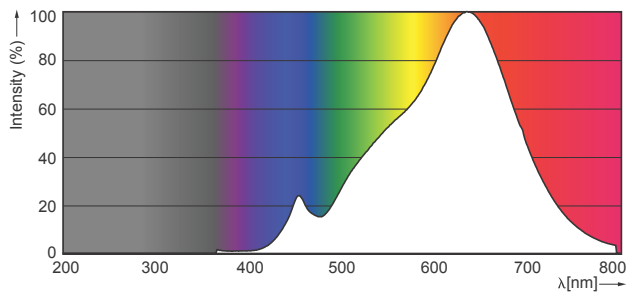
## Dimensional drawing



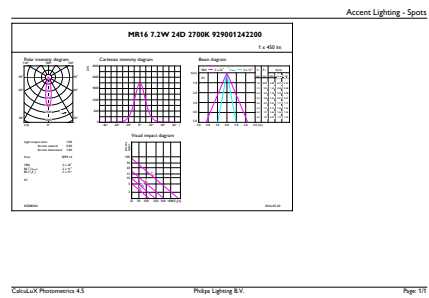
MR16 12V 7.2-50W 420lm 24D 2700K GU5.3 D

Product	D	C
MASTER LED ExpertColor LED MR16 ExpertColor 7.2-50W 927 24D	51 mm	46 mm

## Photometric data



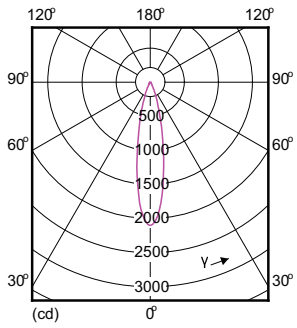
MAS LED ExpertColor 7.2-50W MR16 GU5.3 927



MAS LED ExpertColor 7.2-50W MR16 GU5.3 927 24D

# MASTER LEDspot ExpertColor LV

## Photometric data



MAS LED ExpertColor 7.2-50W MR16 GU5.3 927 24D

