



# MASTER LEDspot ExpertColor LV

## MASTER LED ExpertColor LED MR16 ExpertColor 7.2-50W 927 36D

MASTER LEDspot LV ExpertColor creates a warm and comfortable ambience for hospitality venues, homes and restaurants. It creates such an ambience with superior lighting that has a customized spectrum, high CRI, and deep dimming feature. The result? A beautiful lighting experience. What's more, the innovative, trimless lens design will suit almost any interior decor with its clean and neat look. In addition, you can take advantage of the full ExpertColor family, which also includes LEDspot MV and LEDspot Par lamps.

### Product data

General Information		Color Rendering Index (Nom)		97
Cap-Base	GU5.3 [ GU5.3]	LLMF At End Of Nominal Lifetime (Nom)		70 %
EU RoHS compliant	Yes	Operating and Electrical		
Nominal Lifetime (Nom)	40000 h	Power (Rated) (Nom)	7.2 W	
Switching Cycle	50000X	Lamp Current (Nom)	800 mA	
Technical Type	7.2-50W	Wattage Equivalent	50 W	
Light Technical		Starting Time (Nom)	0.5 s	
Color Code	927	Warm Up Time to 60% Light (Nom)	1 s	
Beam Angle (Nom)	36 °	Power Factor (Nom)	0.7	
Luminous Flux (Nom)	450 lm	Voltage (Nom)	12 V	
Luminous Intensity (Nom)	1350 cd	Temperature		
Color Designation	Warm White (WW)	T-Case Maximum (Nom)	92 °C	
Correlated Color Temperature (Nom)	2700 K			
Luminous Efficacy (rated) (Nom)	62.50 lm/W			
Color Consistency	<3			

# MASTER LEDspot ExpertColor LV

## Controls and Dimming

Dimmable	Yes
----------	-----

## Approval and Application

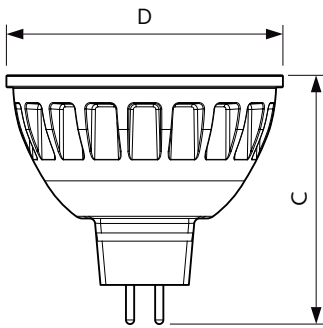
Energy Saving Product	Yes
Suitable For Accent Lighting	Yes

## Product Data

Full product code	871869657183500
Order product name	MASTER LED ExpertColor LED MR16 ExpertColor 7.2-50W 927 36D

EAN/UPC - Product	8718696571835
Order code	929001242508
Numerator - Quantity Per Pack	1
Numerator - Packs per outer box	10
Material Nr. (12NC)	929001242508
Net Weight (Piece)	0.034 kg

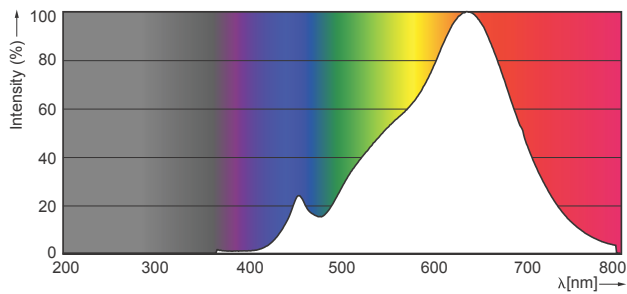
## Dimensional drawing



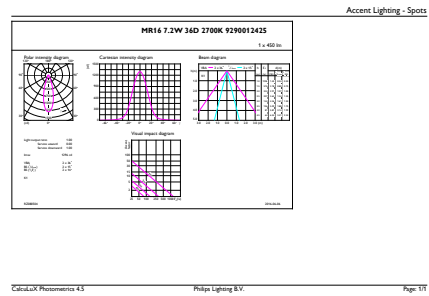
MR16 12V 7.2-50W 420lm 36D 2700K GU5.3 D

Product	D	C
MASTER LED ExpertColor LED MR16 ExpertColor 7.2-50W 927 36D	51 mm	46 mm

## Photometric data



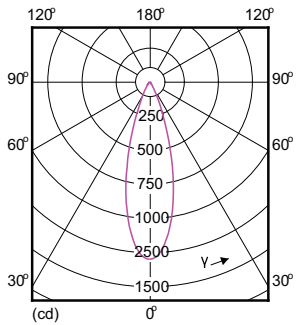
MAS LED ExpertColor 7.2-50W MR16 GU5.3 927



MAS LED ExpertColor 7.2-50W MR16 GU5.3 927 36D

# MASTER LEDspot ExpertColor LV

## Photometric data



MAS LED ExpertColor 7.2-50W MR16 GU5.3 927 36D

## Lifetime



Master LEDspot ExpertColor LV 50W EZ10 927 10D



Master LEDspot ExpertColor LV 50W EZ10 927 10D

