



# MASTER LEDspot ExpertColor LV

## MASTER LED ExpertColor LED MR16 ExpertColor 8-50W 927 36D

MASTER LEDspot LV ExpertColor creates a warm and comfortable ambience for hospitality venues, homes and restaurants. It creates such an ambience with superior lighting that has a customised spectrum, high CRI and deep dimming feature. The result? A beautiful lighting experience. What's more, the innovative, trimless lens design will suit almost any interior decor with its clean and neat look. In addition, you can take advantage of the full ExpertColor family, which also includes LEDspot MV and LEDspot Par lamps.

### Product data

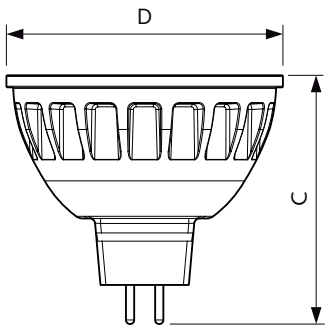
| General Information                  |                 | Colour consistency                     |        |
|--------------------------------------|-----------------|--|--------|
| Cap base                             | GU5.3 [ GU5.3]  | Colour consistency                     | <3     |
| Nominal lifetime (nom.)              | 40000 h         | Colour Rendering Index,horiz (Nom)     | 97     |
| Switching cycle                      | 50000X          | LLMF at end of nominal lifetime (nom.) | 70 %   |
| Technical type                       | 8-50W           | Operating and Electrical               |        |
| Light Technical                      |                 | Power (Rated) (Nom)                    | 8 W    |
| Colour Code                          | 927             | Lamp current (nom.)                    | 800 mA |
| Technical Beam Angle (Nom)           | 36 °            | Wattage equivalent                     | 50 W   |
| Lamp Luminous Flux 25°C EL (Nom)     | 450 lm          | Starting time (nom.)                   | 0.5 s  |
| Lamp Luminous Flux (Nom)             | 450 lm          | Warm-up time to 60% light (nom.)       | 1 s    |
| Luminous intensity (nom.)            | 1350 cd         | Power factor (nom.)                    | 0.7    |
| Colour Designation                   | Warm white (WW) | Voltage (Nom)                          | 12 V   |
| Rated beam angle                     | 36 °            | Temperature                            |        |
| Colour Temperature, horizontal (Nom) | 2700 K          | T-Case maximum (nom.)                  | 92 °C  |
| Lamp Luminous Efficacy EM (Nom)      | 62.50 lm/W      |  |        |

# MASTER LEDspot ExpertColor LV

| Controls and Dimming          |  |
|-------------------------------|--|
| Dimmable                      | Yes  |
| Approval and Application      |  |
| Energy efficiency label (EEL) | Not applicable   |
| Suitable for accent lighting  | Yes  |
| Product Data                  |  |
| Full product code             | 871869674018700  |
| Order product name            | MASTER LED ExpertColor LED MR16<br>ExpertColor 8-50W 927 36D |

|                                 |               |
|---------------------------------|---------------|
| EAN/UPC – product               | 8718696740187 |
| Order code                      | 929001242568  |
| Numerator – quantity per pack   | 1             |
| Numerator – packs per outer box | 10            |
| Material no. (12NC)             | 929001242568  |
| Net weight (piece)              | 0.034 kg      |

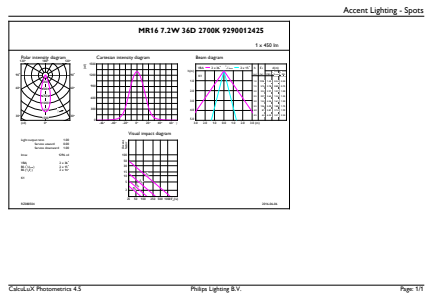
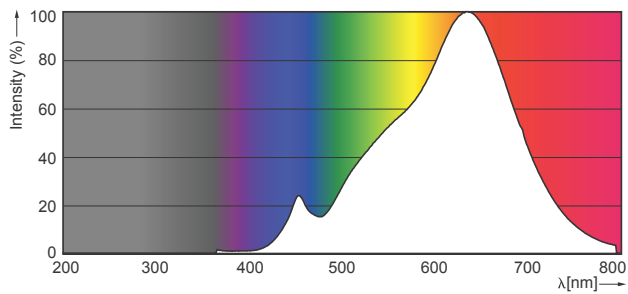
## Dimensional drawing



MR16 12V 7.2-50W 420lm 36D 2700K GU5.3 D

| Product   | D     | C     |
|---|-------|-------|
| MASTER LED ExpertColor LED MR16 ExpertColor 8-50W 927 36D | 51 mm | 46 mm |

## Photometric data

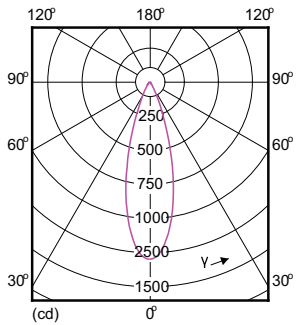


MAS LED ExpertColor 7.2-50W MR16 GU5.3 927

MAS LED ExpertColor 7.2-50W MR16 GU5.3 927 36D

# MASTER LEDspot ExpertColor LV

## Photometric data



MAS LED ExpertColor 7.2-50W MR16 GU5.3 927 36D

## Lifetime



Master LEDspot ExpertColor LV 50W EZ10 927 10D



Master LEDspot ExpertColor LV 50W EZ10 927 10D

