



MASTER LEDspot LV

LED MR16 3-50W 36D 865

Delivering an intense accent beam, the MASTER LEDspot LV is an ideal retrofit solution for spot-lighting. The MASTER LEDspot LV is designed to replace halogen or incandescent spots. It achieves natural colours, enables cosy and comfortable ambience for residential and hospitality usage, and emphasises the beauty of merchandise in retail. A new smaller housing provides perfect fitting with the majority of luminaires on the market with a MR16 GU 5.3 holder. It not only employs Philips's patented solution to guarantee the broadest possible compatibility with standard 12 V halogen electronic transformers, it also delivers high beam intensity which is equivalent to halogen MR16 spots. The dimming function enables users to create the desired atmosphere and it works with broad selection of dimmers. Its high SDCM ensures stricter colour consistency, that is maintained over product life. The MASTER LEDspot LV delivers huge energy savings and minimises maintenance costs without any compromise on light quality and lifetime, enabling residential and business owners to achieve a return on their investment within a short time period.

Product data

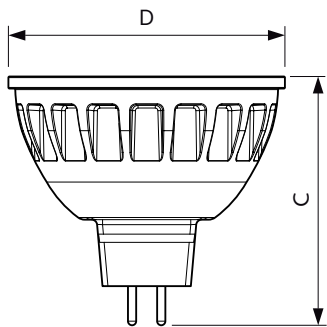
General Information		Operating and Electrical	
Cap base	GU5.3 [GU5.3]	Rated beam angle	36 °
Nominal lifetime (nom.)	25000 h	Correlated colour temperature (nom.)	6500 K
Switching cycle	50000X	Luminous efficacy (rated) (nom.)	140.00 lm/W
Technical type	3-50W	Colour consistency	<6
		Color rendering index (nom.)	80
		LLMF at end of nominal lifetime (nom.)	70 %
Light Technical			
Colour code	865 [CCT of 6,500 K]	Input frequency	50 to 60 Hz
Beam Angle (Nom)	36 °	Power (Rated) (Nom)	3 W
Luminous flux (nom.)	420 lm	Lamp current (nom.)	500 mA
Luminous flux (rated) (nom.)	420 lm	Wattage equivalent	50 W
Luminous intensity (nom.)	850 cd	Starting time (nom.)	0.5 s
Colour designation	Cool Daylight		

MASTER LEDspot LV

Warm-up time to 60% light (nom.)	1 s
Power factor (nom.)	0.6
Voltage (Nom)	12 V
Temperature	
T-Case maximum (nom.)	52 °C
Controls and Dimming	
Dimmable	No
Approval and Application	
Suitable for accent lighting	Yes

Product Data	
Full product code	871869667060600
Order product name	LED MR16 3-50W 36D 865
EAN/UPC – product	8718696670606
Order code	67060600
Numerator – quantity per pack	1
Numerator – packs per outer box	10
Material no. (12NC)	929001275197
Net weight (piece)	0.034 kg

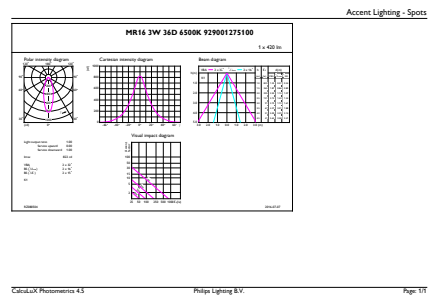
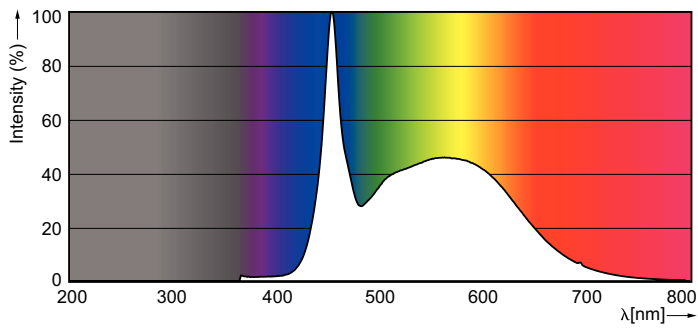
Dimensional drawing



LED MR16 3-50W 36D 865

Product	D	C
LED MR16 3-50W 36D 865	51 mm	46 mm

Photometric data



LED 3-50W MR16 GU5.3 865 420lm 36D

MASTER LEDspot LV

Photometric data

