



# LED PAR30 S/L

## 12PAR30S/EC RETAIL/F25/930/DIM 6/1

Philips LED spots with a single optic beam, provide a clean beam that's free from shadows with beam angles from 15 and 40 degrees to suit every general lighting application.

### Product data

General Information	
Cap-Base	E26 [ Single Contact Medium Screw]
Nominal Lifetime (Nom)	25000 h
Switching Cycle	50000X
Technical Type	12-75W

Light Technical	
Color Code	930 [ CCT of 3000K]
Beam Angle (Nom)	25 °
Luminous Flux (Nom)	880 lm
Luminous Flux (Rated) (Nom)	880 lm
Luminous Intensity (Nom)	4500 cd
Color Designation	White (WH)
Rated Beam Angle	25 °
Correlated Color Temperature (Nom)	3000 K
Luminous Efficacy (rated) (Nom)	73 lm/W
Color Consistency	<6
Color Rendering Index (Nom)	90
LLMF At End Of Nominal Lifetime (Nom)	70 %

Operating and Electrical	
Input Frequency	60 Hz
Power (Rated) (Nom)	12 W
Lamp Current (Nom)	120 mA

Wattage Equivalent	75 W
Starting Time (Nom)	0.5 s
Warm Up Time to 60% Light (Nom)	0.5 s
Power Factor (Nom)	0.9
Voltage (Nom)	120 V

Temperature	
T-Case Maximum (Nom)	90 °C

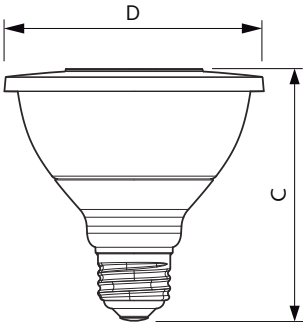
Controls and Dimming	
Dimmable	Yes

Approval and Application	
Suitable For Accent Lighting	Yes

Product Data	
Order product name	12PAR30S/EXPERTCOLOR RETAIL/F25/930/DIMB
EAN/UPC - Product	046677471095
Order code	471094
Numerator - Quantity Per Pack	1
Numerator - Packs per outer box	6
Material Nr. (12NC)	929001286204
Net Weight (Piece)	0.220 kg

# LED PAR30 S/L

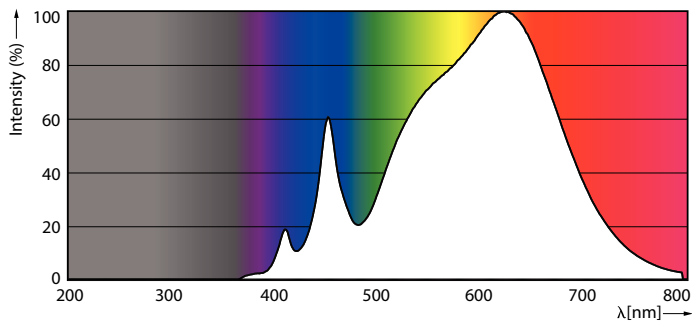
## Dimensional drawing



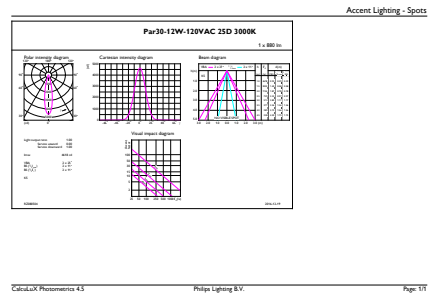
PAR30S 120V 12-75W 25D 3000K E26 D BL

Product	D	C
12PAR30S/EXPERTCOLOR RETAIL/F25/930/DIMB	94.8 mm	93.1 mm

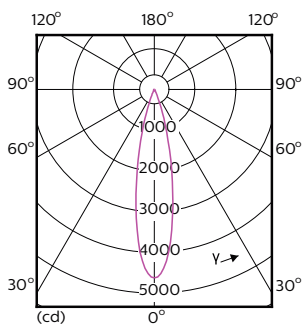
## Photometric data



PAR38 120V 17-90W 1200lm 8D 3000K E26 D



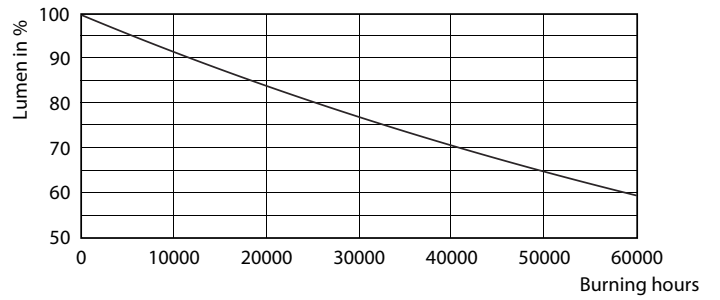
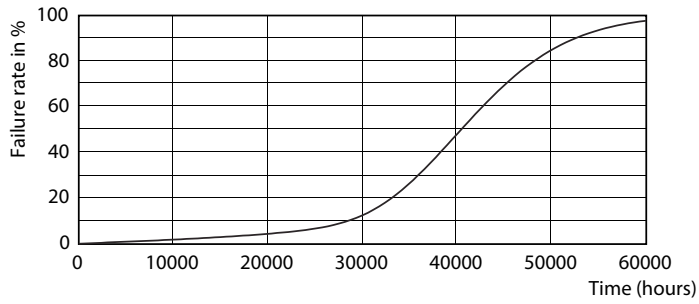
PAR30S 120V 12-75W 25D 3000K E26 D BL



PAR30S 120V 12-75W 25D 3000K E26 D BL

# LED PAR30 S/L

## Lifetime



ExpertColor PAR38 30S 30L Dim 120V Life Expectancy Diagram

ExpertColor PAR38 30S 30L Dim 120V Lumen Maintenance Diagram

