



LED PAR30 S/L

10PAR30S/LED/840/F25/DIM/ULW/120V 6/1FB

Philips LED spots with a single optic beam, provide a clean beam that's free from shadows with beam angles from 15 and 40 degrees to suit every general lighting application.

Product data

General Information	
Cap-Base	E26 [Single Contact Medium Screw]
EU RoHS compliant	Yes
Nominal Lifetime (Nom)	25000 h
Switching Cycle	25000X
Technical Type	10-75W

Light Technical	
Color Code	841 [CCT of 4100K (841)]
Beam Angle (Nom)	25 °
Luminous Flux (Nom)	850 lm
Luminous Intensity (Nom)	3300 cd
Color Designation	Cool White (CW)
Correlated Color Temperature (Nom)	4000 K
Luminous Efficacy (rated) (Nom)	85.00 lm/W
Color Consistency	<6
Color Rendering Index (Nom)	80
LLMF At End Of Nominal Lifetime (Nom)	70 %

Operating and Electrical	
Input Frequency	50 to 60 Hz
Power (Rated) (Nom)	10 W
Lamp Current (Nom)	86 mA
Wattage Equivalent	75 W

Starting Time (Nom)	0.5 s
Warm Up Time to 60% Light (Nom)	0.5 s
Power Factor (Nom)	0.9
Voltage (Nom)	120 V

Temperature	
T-Case Maximum (Nom)	70 °C

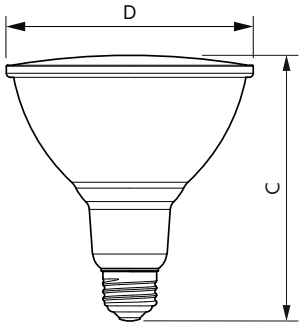
Controls and Dimming	
Dimmable	Yes

Approval and Application	
Suitable For Accent Lighting	Yes

Product Data	
Order product name	10PAR30S/LED/840/F25/DIM/ULW/120V 6/1FB
EAN/UPC - Product	046677529789
Order code	529784
Numerator - Quantity Per Pack	1
Numerator - Packs per outer box	6
Material Nr. (12NC)	929001320704
Net Weight (Piece)	0.220 kg

LED PAR30 S/L

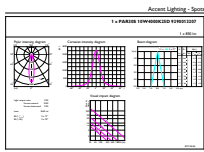
Dimensional drawing



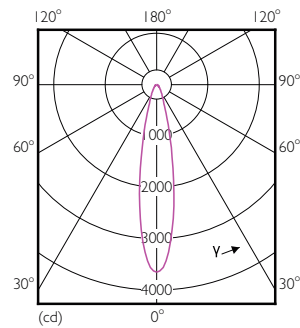
Classic PAR30S 120V 9-75W 850lm 25D 4000

Product	D	C
10PAR30S/LED/840/F25/DIM/ULW/120V 6/1FB	94 mm	93 mm

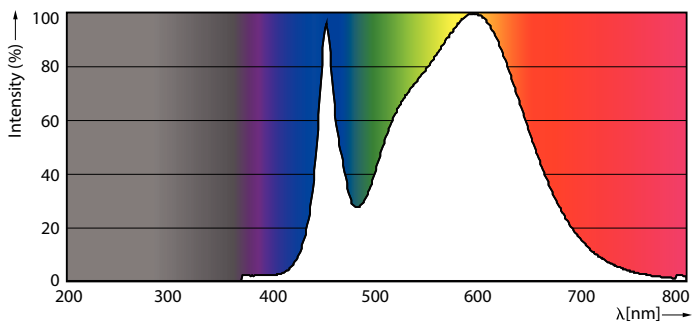
Photometric data



Classic PAR30S 120V 9-75W 850lm 25D 4000



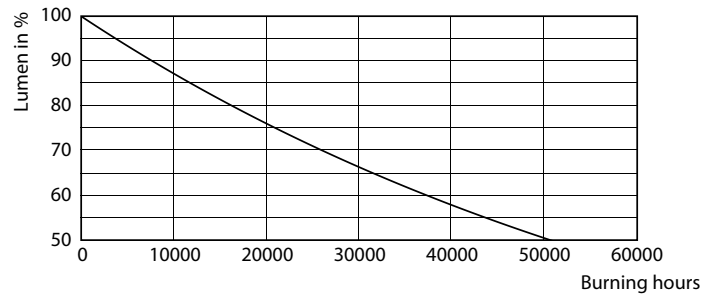
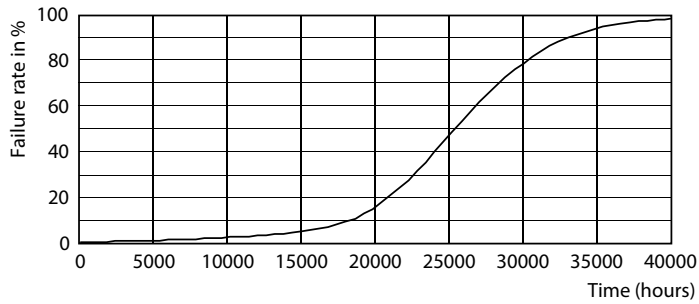
10-75W E26 PAR30S 25D 840 4000K



10-75W E26 PAR30S

LED PAR30 S/L

Lifetime



14-120W E26 PAR38

14-120W E26 PAR38

