



MASTER VALUE LEDs pot LV

MAS LED spot VLE D 5.5-35W MR16 827 36D

Delivering a warm, halogen-like accent beam, MASTER LEDspot LV is an ideal retrofit solution for spot and general lighting applications in the hospitality industry. It is particularly suited to public areas such as receptions, lobbies, corridors, stairwells and washrooms, where the light is on all the time. The robustly designed MASTER LEDspot offers a choice of beam angles for a clearly defined beam spread. There is no UV or IR in the beam, making it suitable for illuminating heat-sensitive objects (food, organic materials, paintings, etc.). The patented intelligent driver enables broad compatibility with existing electromagnetic and electronic halogen transformers. The dimmable versions drive further efficiencies, while helping to create the desired atmosphere.

Product data

General Information		Colour consistency	
Cap base	GU5.3 [GU5.3]	Colour consistency	<6
EU RoHS compliant	Yes	Color rendering index (nom.)	80
Nominal lifetime (nom.)	25000 h	LLMF at end of nominal lifetime (nom.)	70 %
Switching cycle	50000X	Luminous Flux in 90° Cone (Rated)	450 lm
Technical type	5.5-35W	Operating and Electrical	
Light Technical		Power (Rated) (Nom)	5.5 W
Colour code	827 [CCT of 2,700 K]	Lamp current (nom.)	630 mA
Beam Angle (Nom)	36 °	Wattage equivalent	35 W
Luminous flux (nom.)	450 lm	Starting time (nom.)	0.5 s
Luminous intensity (nom.)	1000 cd	Warm-up time to 60% light (nom.)	0.5 s
Colour designation	Warm white (WW)	Power factor (nom.)	0.8
Correlated Colour Temperature (Nom)	2700 K	Voltage (Nom)	ac Electronic 12 V
Luminous efficacy (rated) (nom.)	81.82 lm/W		

MASTER VALUE LEDspot LV

Temperature

T-Case maximum (nom.)	95 °C
-----------------------	-------

Controls and Dimming

Dimmable	Yes
----------	-----

Approval and Application

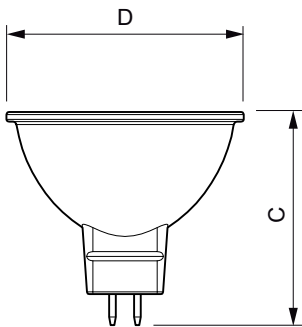
Energy efficiency label (EEL)	A+
Suitable for accent lighting	Yes
Energy Consumption kWh/1000 h	7 kWh

Product Data

Full product code	871869670823100
Order product name	MAS LED spot VLE D 5.5-35W MR16 827 36D
EAN/UPC – product	8718696708231
Order code	70823100
Numerator – quantity per pack	1
Numerator – packs per outer box	10
Material no. (12NC)	929001325902
Net weight (piece)	0.045 kg

Warnings and Safety

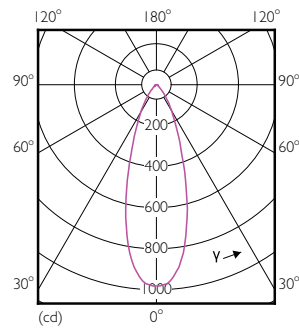
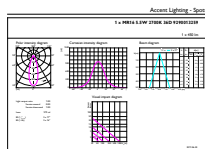
Dimensional drawing



MR16 12V 5W-35W 380lm 36D 2700K GU5.3 D

Product	D	C
MAS LED spot VLE D 5.5-35W MR16 827 36D	50.5 mm	45 mm

Photometric data

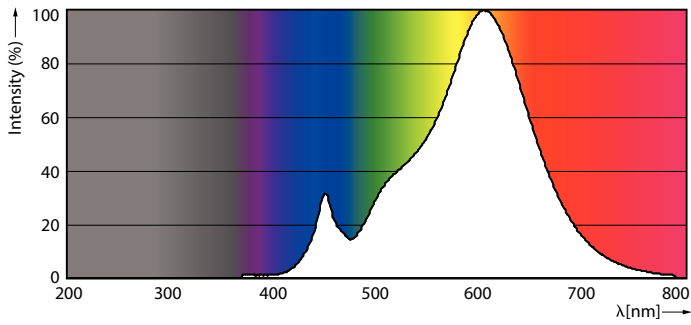


MAS VLE LEDspotLV 35W GU5-3 827 36D MR16

MAS VLE LEDspotLV 35W GU5-3 827 36D MR16

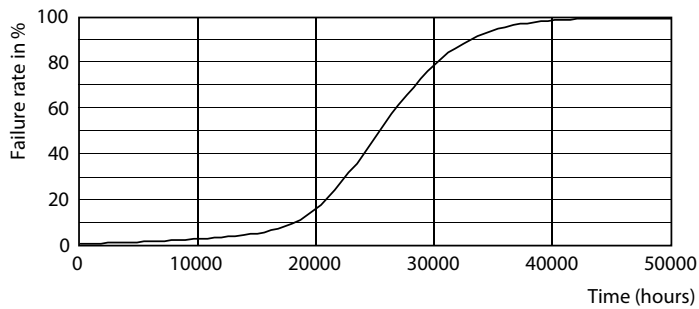
MASTER VALUE LEDspot LV

Photometric data

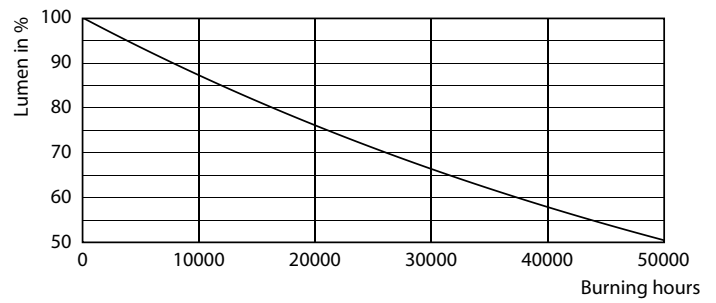


MAS VLE LEDspotLV 35W GU5-3 827 36D MR16

Lifetime



MAS VLE LEDspotLV 35W GU5-3 827 36D MR16



MAS VLE LEDspotLV 35W GU5-3 827 36D MR16

