



# MASTER VALUE LEDs pot LV

## MAS LED spot VLE D 5.5-35W MR16 830 36D

Delivering a warm, halogen-like accent beam, MASTER LEDspot LV is an ideal retrofit solution for spot and general lighting applications in the hospitality industry. It is particularly suited to public areas such as receptions, lobbies, corridors, stairwells and washrooms, where the light is on all the time. The robustly designed MASTER LEDspot offers a choice of beam angles for a clearly defined beam spread. There is no UV or IR in the beam, making it suitable for illuminating heat-sensitive objects (food, organic materials, paintings, etc.). The patented intelligent driver enables broad compatibility with existing electromagnetic and electronic halogen transformers. The dimmable versions drive further efficiencies, while helping to create the desired atmosphere.

### Product data

General Information	
Cap base	GU5.3 [ GU5.3]
Nominal lifetime (nom.)	25000 h
Switching cycle	50000X
Technical type	5.5-35W
Light Technical	
Colour code	830 [ CCT of 3,000 K]
Beam Angle (Nom)	36 °
Luminous flux (nom.)	460 lm
Luminous flux (rated) (nom.)	460 lm
Luminous intensity (nom.)	1000 cd
Colour designation	White (WH)
Rated beam angle	36 °
Correlated colour temperature (nom.)	3000 K

Luminous efficacy (rated) (nom.)	83.64 lm/W
Colour consistency	<6
Color rendering index (nom.)	80
LLMF at end of nominal lifetime (nom.)	70 %
Luminous Flux in 90° Cone (Rated)	460 lm
Operating and Electrical	
Power (Rated) (Nom)	5.5 W
Lamp current (nom.)	630 mA
Wattage equivalent	35 W
Starting time (nom.)	0.5 s
Warm-up time to 60% light (nom.)	0.5 s
Power factor (nom.)	0.8
Voltage (Nom)	ac Electronic 12 V

# MASTER VALUE LEDspot LV

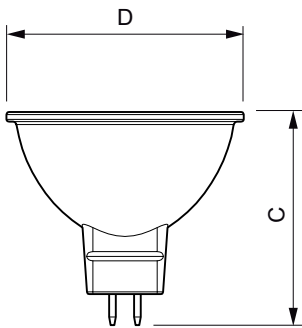
Temperature	
T-Case maximum (nom.)	95 °C
Controls and Dimming	
Dimmable	Yes
Approval and Application	
Energy efficiency label (EEL)	A+
Suitable for accent lighting	Yes
Energy Consumption kWh/1000 h	7 kWh

Product Data	
Full product code	871869670825500
Order product name	MAS LED spot VLE D 5.5-35W MR16 830 36D
EAN/UPC – product	8718696708255
Order code	70825500
Numerator – quantity per pack	1
Numerator – packs per outer box	10
Material no. (12NC)	929001326002
Net weight (piece)	0.045 kg

## Warnings and Safety

- Operating temperature range is between -20° C and 45° C ambient
- Only to apply in dry or damp locations and most of open fixtures with lamp-holders that offer sufficient space (10 mm free air space)
- Not intended for use with emergency light fixtures or exit lights

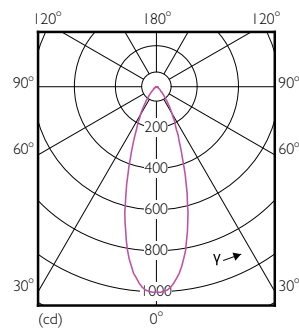
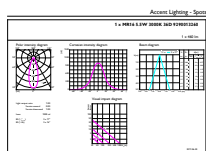
## Dimensional drawing



MR16 12V 5W-35W 390lm 36D 3000K GU5.3 D

Product	D	C
MAS LED spot VLE D 5.5-35W MR16 830 36D	50.5 mm	45 mm

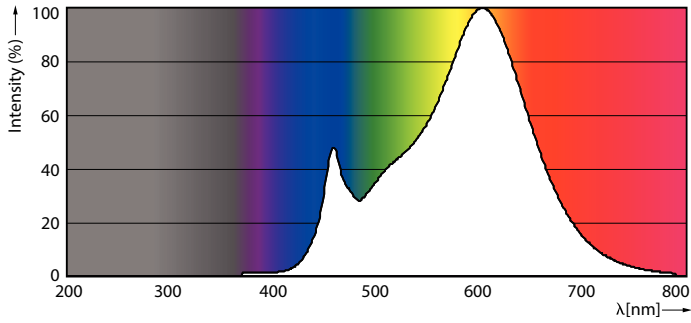
## Photometric data



MAS VLE LEDspotLV 35W GU5-3 830 36D MR16

# MASTER VALUE LEDspot LV

## Photometric data



## Lifetime

