

PHILIPS

Lighting



MASTER LEDspot LV AR111

MAS LEDspotLV D 15-75W 940 AR111 24D

Delivering a warm, halogen-like accent beam, MASTER LEDspot LV AR111 is an ideal retrofit solution for spot and general lighting applications in the hospitality and retail industry. It is particularly suitable for general lighting where the light is on all the time, such as creative accent lighting applications in shops, restaurants, hotels, and especially for galleries, exhibitions and museums. The robustly designed MASTER LEDspot LV AR111 offers various beam angles for a clearly defined beam spread. There is no UV or IR in the beam, making it suitable for illuminating heat-sensitive objects (food, organic materials, paintings, etc.). The patented intelligent driver enables broad compatibility with existing electromagnetic and electronic halogen transformers. MASTER LEDspot LV AR111 delivers huge energy savings and minimises maintenance cost without any reduction in brightness.

Product data

General Information	
Cap base	G53 [G53]
Nominal lifetime (nom.)	40000 h
Switching cycle	50000X
Technical type	15-75W

Light Technical	
Colour code	940 [CCT of 4,000 K]
Beam Angle (Nom)	24 °
Luminous flux (nom.)	830 lm
Luminous flux (rated) (nom.)	830 lm
Luminous intensity (nom.)	4100 cd
Colour designation	Cool White (CW)
Rated beam angle	24 °

Correlated colour temperature (nom.)	4000 K
Luminous efficacy (rated) (nom.)	55.33 lm/W
Colour consistency	<3
Color rendering index (nom.)	90
LLMF at end of nominal lifetime (nom.)	70 %
Luminous Flux in 90° Cone (Rated)	830 lm

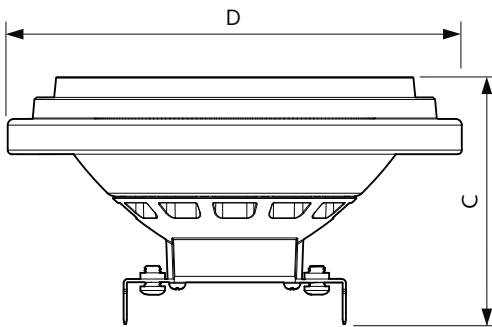
Operating and Electrical	
Power (Rated) (Nom)	15 W
Lamp current (nom.)	1800 mA
Wattage equivalent	75 W
Starting time (nom.)	0.5 s
Warm-up time to 60% light (nom.)	0.5 s
Power factor (nom.)	0.7

MASTER LEDspot LV AR111

Voltage (Nom)	12 V
Temperature	
T-Case maximum (nom.)	74 °C
Controls and Dimming	
Dimmable	yes
Approval and Application	
Energy efficiency label (EEL)	A
Suitable for accent lighting	Yes
Energy Consumption kWh/1000 h	17 kWh

Product Data	
Full product code	871869671834600
Order product name	MAS LEDspotLV D 15-75W 940 AR111 24D
EAN/UPC – product	8718696718346
Order code	71834600
Numerator – quantity per pack	1
Numerator – packs per outer box	6
Material no. (12NC)	929001329702
Net weight (piece)	0.160 kg

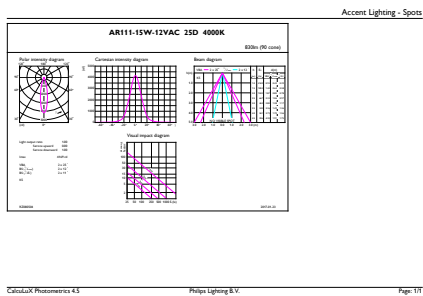
Dimensional drawing



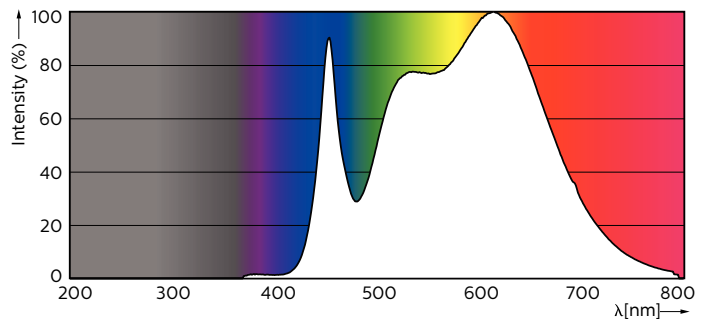
AR111 12V 15W-75W 890lm 24D 4000K G53 D

Product	D	C
MAS LEDspotLV D 15-75W 940 AR111 24D	111 mm	62 mm

Photometric data



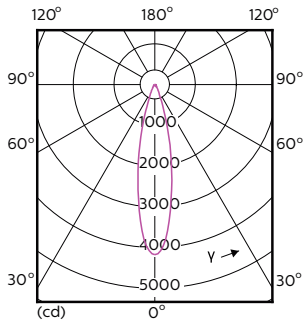
MASTER LEDspotLV 75W G53 940 24D



MASTER LEDspotLV AR111 75W G53 940

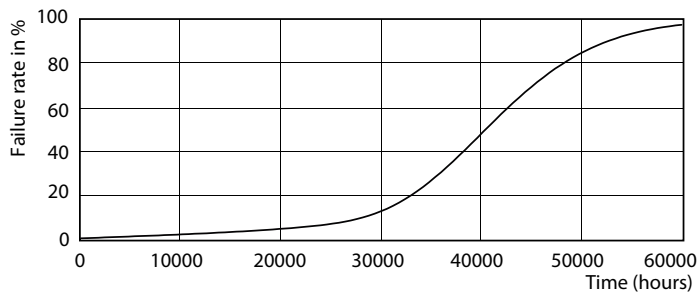
MASTER LEDspot LV AR111

Photometric data

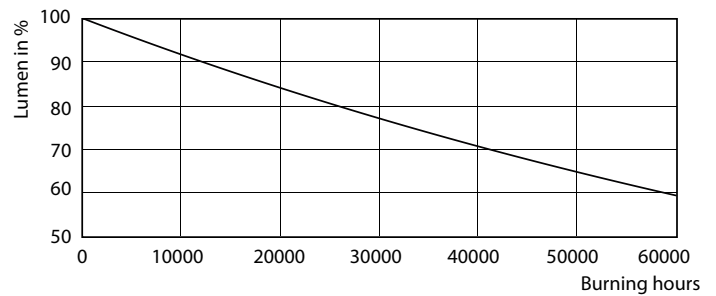


MASTER LEDspotLV AR111 75W G53 940 24D

Lifetime



MASTER LEDspotLV AR111 75W G53 940 40D



MASTER LEDspotLV AR111 75W G53 940 40D

