



# MASTER LEDspot LV AR111

## MAS LEDspotLV D 15-75W 940 AR111 40D

Delivering a warm, halogen-like accent beam, MASTER LEDspot LV AR111 is an ideal retrofit solution for spot and general lighting applications in the hospitality and retail industry. It is particularly suitable for general lighting where the light is on all the time, such as creative accent lighting applications in shops, restaurants, hotels, and especially for galleries, exhibitions and museums. The robustly designed MASTER LEDspot LV AR111 offers various beam angles for a clearly defined beam spread. There is no UV or IR in the beam, making it suitable for illuminating heat-sensitive objects (food, organic materials, paintings, etc.). The patented intelligent driver enables broad compatibility with existing electromagnetic and electronic halogen transformers. MASTER LEDspot LV AR111 delivers huge energy savings and minimizes maintenance cost without any reduction in brightness.

### Product data

General Information	
Cap-Base	G53 [G53]
Nominal lifetime	40,000 hour(s)
Switching Cycle	50,000
Lighting Technology	LED
EU RoHS compliant	Yes
Light Technical	
Color Code	940 [CCT of 4000K]
Beam Angle (Nom)	40 degree(s)
Luminous Flux	830 lm
Luminous Intensity (Nom)	1,500 cd
Color Designation	Cool White (CW)
Correlated Color Temperature (Nom)	4000 K

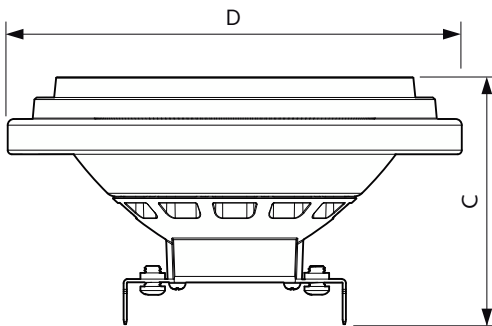
Luminous Efficacy (rated) (Nom)	55.33 lm/W
Color Consistency	<3
Color rendering index (CRI)	90
LLMF At End Of Nominal Lifetime (Nom)	70 %
Luminous Flux in 90° Cone (Rated)	830 lm
Operating and Electrical	
Line Frequency	- Hz
Input Frequency	- Hz
Power Consumption	15 W
Lamp Current (Nom)	1,800 mA
Wattage Equivalent	75 W
Starting Time (Nom)	0.5 s
Warm-up time to 60% light	0.5 s

# MASTER LEDspot LV AR111

Power Factor (Fraction)	0.7
Voltage (Nom)	12 V
<b>Temperature</b>	
T-Case Maximum (Nom)	74 °C
<b>Controls and Dimming</b>	
Dimmable	Yes
<b>Mechanical and Housing</b>	
Bulb Shape	AR111
<b>Approval and Application</b>	
Suitable For Accent Lighting	Yes

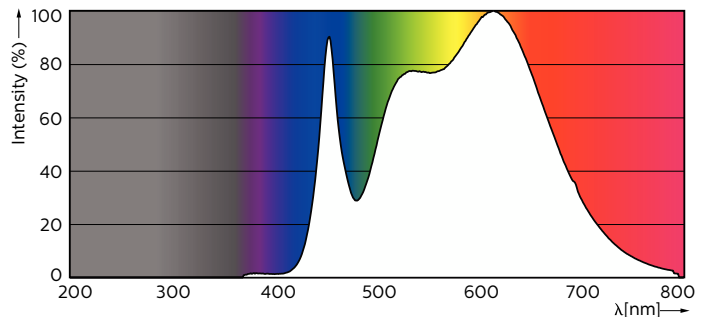
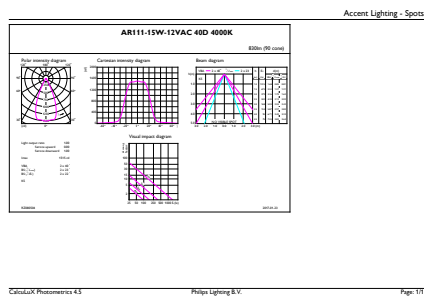
Energy Consumption kWh/1000 h	17 kWh
<b>Product Data</b>	
Order product name	MAS LEDspotLV D 15-75W 940 AR111 40D
Full product name	MAS LEDspotLV D 15-75W 940 AR111 40D
Full product code	871869671836000
Order code	71836000
Material Nr. (12NC)	929001330002
Numerator - Quantity Per Pack	1
EAN/UPC - Product/Case	8718696718360
Numerator - Packs per outer box	6
EAN/UPC - Case	8718696718377

## Dimensional drawing



Product	D	C
MAS LEDspotLV D 15-75W 940 AR111 40D	111 mm	62 mm

## Photometric data

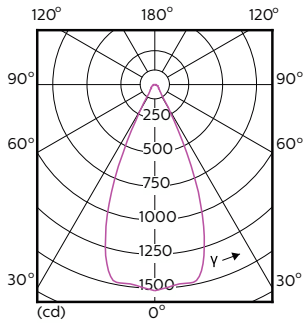


Accent Lighting Spots - MAS LEDspotLV D 15-75W 940 AR111 40D

Spectral Power Distribution Colour - MAS LEDspotLV D 15-75W 940 AR111 40D

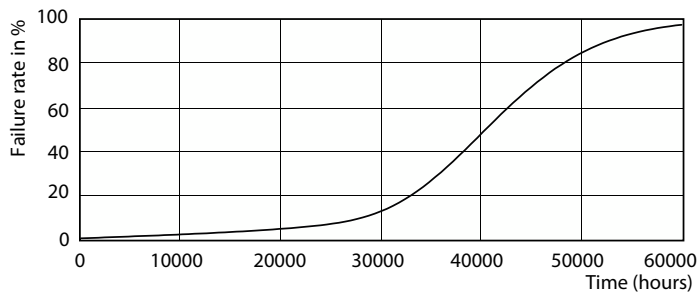
# MASTER LEDspot LV AR111

## Photometric data

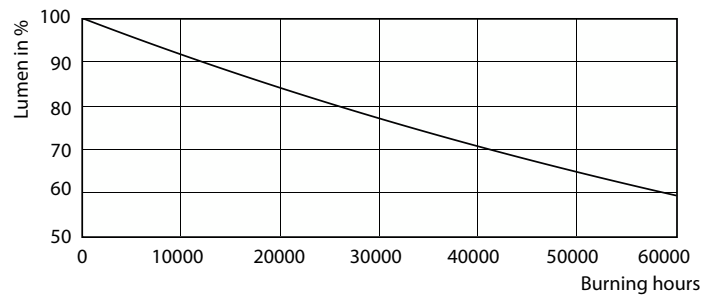


Light Distribution Diagram - MAS LEDspotLV D 15-75W 940 AR111 40D

## Lifetime



Life Expectancy Diagram - MAS LEDspotLV D 15-75W 940 AR111 40D



Lumen Maintenance Diagram - MAS LEDspotLV D 15-75W 940 AR111 40D

