



# CorePro LEDspot LV

## CorePro LED spot 2.6-20W 827 MR11 36D

CorePro LEDspots are a perfect fit for spot lighting and deliver warm halogen-like light. They are compatible with most existing fixtures with MR16 GU5.3 holders and are designed as a retrofit replacement for halogen or incandescent spots. LEDlamps deliver huge energy savings and minimize maintenance cost.

### Product data

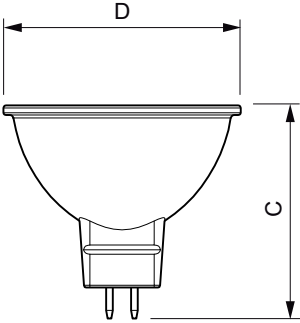
| General Information                    |                       |
|--|-----------------------|
| Cap base                               | GU4 [ GU4]            |
| Nominal lifetime (nom.)                | 15000 h               |
| Switching cycle                        | 50000X                |
| Technical type                         | 2.6-20W               |
| Light Technical                        |                       |
| Colour code                            | 827 [ CCT of 2,700 K] |
| Beam Angle (Nom)                       | 36 °                  |
| Luminous flux (nom.)                   | 190 lm                |
| Luminous intensity (nom.)              | 400 cd                |
| Colour designation                     | Warm white (WW)       |
| Correlated colour temperature (nom.)   | 2700 K                |
| Luminous efficacy (rated) (nom.)       | 63.33 lm/W            |
| Colour consistency                     | <6                    |
| Color rendering index (nom.)           | 80                    |
| LLMF at end of nominal lifetime (nom.) | 70 %                  |
| Luminous Flux in 90° Cone (Rated)      | 190 lm                |
| Operating and Electrical               |                       |
| Power (Rated) (Nom)                    | 2.6 W                 |
| Lamp current (nom.)                    | 350 mA                |
| Wattage equivalent                     | 20 W                  |

| Starting time (nom.)             | 0.5 s                                 |
|----------------------------------|---------------------------------------|
| Warm-up time to 60% light (nom.) | 0.5 s                                 |
| Power factor (nom.)              | 0.66                                  |
| Voltage (Nom)                    | 12 V                                  |
| Temperature                      |                                       |
| T-Case maximum (nom.)            | 79 °C                                 |
| Controls and Dimming             |                                       |
| Dimmable                         | No                                    |
| Approval and Application         |                                       |
| Energy efficiency label (EEL)    | A+                                    |
| Suitable for accent lighting     | Yes                                   |
| Energy Consumption kWh/1000 h    | 3 kWh                                 |
| Product Data                     |                                       |
| Full product code                | 871869670868200                       |
| Order product name               | CorePro LED spot 2.6-20W 827 MR11 36D |
| EAN/UPC – product                | 8718696708682                         |
| Order code                       | 70868200                              |
| Numerator – quantity per pack    | 1                                     |
| Numerator – packs per outer box  | 12                                    |

# CorePro LEDspot LV

|                     |              |
|---------------------|--------------|
| Material no. (12NC) | 929001339202 |
| Net weight (piece)  | 0.018 kg     |

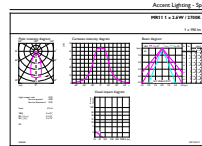
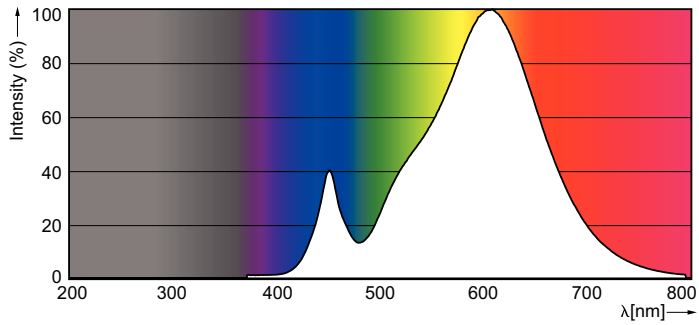
## Dimensional drawing



MR11 12V ACV -20W 200lm 25D 2700K GU4 ND

| Product                               | D     | C       |
|---------------------------------------|-------|---------|
| CorePro LED spot 2.6-20W 827 MR11 36D | 35 mm | 37.5 mm |

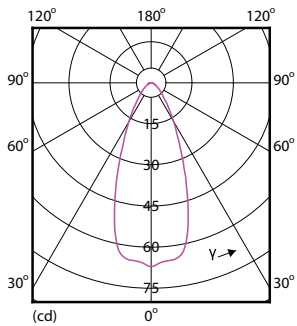
## Photometric data



Aluminum Lighting - 2000  
MR11 12V ACV - 20W  
Page 11

LEDlamps 6-50W PAR20 E26 2700K 480lm

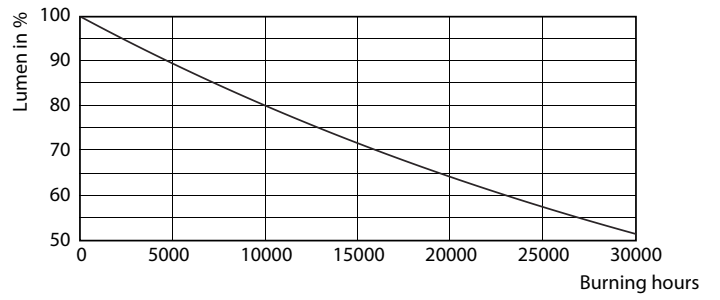
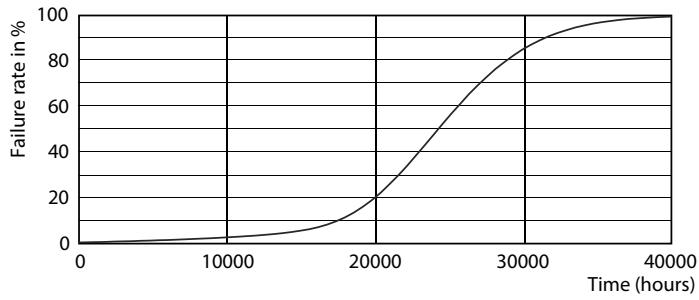
CorePro LEDspotLV 20W GU4 827 36D



CorePro LEDspotLV 20W GU4 827 36D

# CorePro LEDspot LV

## Lifetime



CorePro LEDspotLV 20W GU4 827 36D

CorePro LEDspotLV 20W GU4 827 36D

