



MASTER LEDspot ExpertColor LV

MAS LED MR16 ExpertColor 7.2-50W 927 60D

MASTER LEDspot LV ExpertColor creates a warm and comfortable ambience for hospitality venues, homes and restaurants. It creates such an ambience with superior lighting that has a customized spectrum, high CRI, and deep dimming feature. The result? A beautiful lighting experience. What's more, the innovative, trimless lens design will suit almost any interior decor with its clean and neat look. In addition, you can take advantage of the full ExpertColor family, which also includes LEDspot MV and LEDspot Par lamps.

Product data

General Information	
Cap-Base	GU5.3 [GU5.3]
Nominal lifetime	40,000 hour(s)
Switching Cycle	50,000
Lighting Technology	LED
EU RoHS compliant	Yes
Light Technical	
Color Code	927
Beam Angle (Nom)	60 degree(s)
Luminous Flux	450 lm
Luminous Intensity (Nom)	410 cd
Color Designation	Warm White (WW)
Correlated Color Temperature (Nom)	2700 K
Luminous Efficacy (rated) (Nom)	62.50 lm/W
Color Consistency	<3
Color rendering index (CRI)	97

LLMF At End Of Nominal Lifetime (Nom) 70 %	
Operating and Electrical	
Line Frequency	- Hz
Input Frequency	- Hz
Power Consumption	7.2 W
Lamp Current (Nom)	800 mA
Wattage Equivalent	50 W
Starting Time (Nom)	0.5 s
Warm-up time to 60% light	1 s
Power Factor (Fraction)	0.7
Voltage (Nom)	12 V
Temperature	
T-Case Maximum (Nom)	92 °C

MASTER LEDspot ExpertColor LV

Controls and Dimming

Dimmable Yes

Mechanical and Housing

Bulb Shape MR16 [2inch/50mm]

Approval and Application

Suitable For Accent Lighting Yes

Energy Consumption kWh/1000 h - kWh

Product Data

Order product name MAS LED MR16 ExpertColor 7.2-50W 927 60D

Full product name MAS LED MR16 ExpertColor 7.2-50W 927 60D

Full product code 871869671950300

Order code 929001341408

Material Nr. (12NC) 929001341408

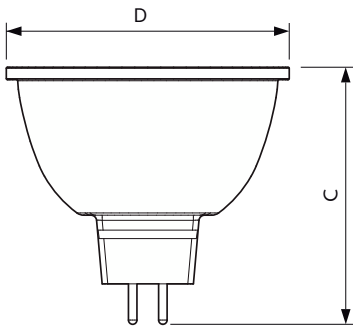
Numerator - Quantity Per Pack 1

EAN/UPC - Product/Case 8718696719503

Numerator - Packs per outer box 10

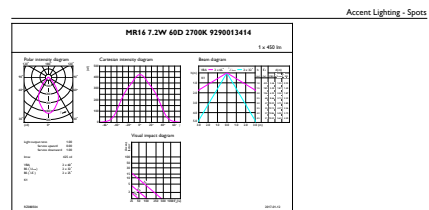
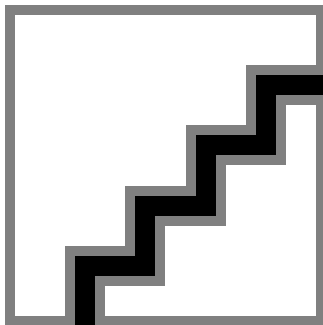
EAN/UPC - Case 8718696719510

Dimensional drawing



Product	D	C
MAS LED MR16 ExpertColor 7.2-50W 927 60D	50.5 mm	46 mm

Photometric data



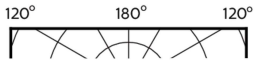
CalcXpert Photonics 4.5 Philips Lighting B.V. Page 1/1

Spectral Power Distribution Colour - MAS LED MR16 ExpertColor 7.2-50W 927 60D

Accent Lighting Spots - MAS LED MR16 ExpertColor 7.2-50W 927 60D

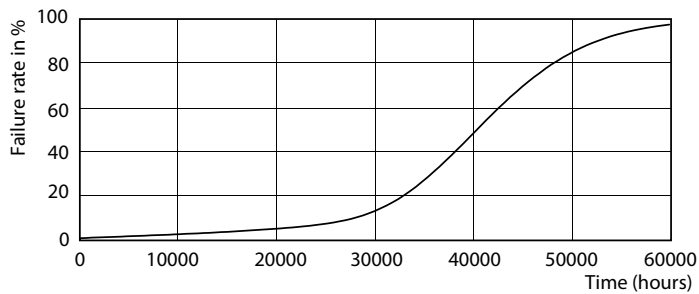
MASTER LEDspot ExpertColor LV

Photometric data

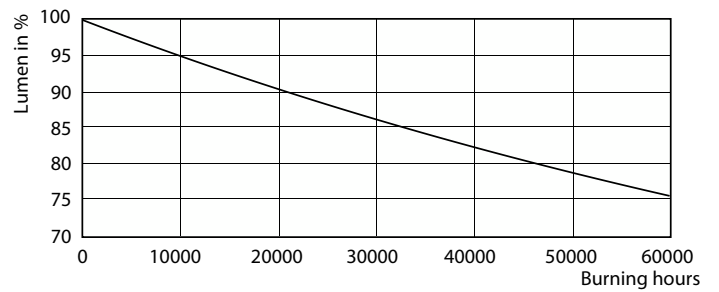


Light Distribution Diagram - MAS LED MR16 ExpertColor 7.2-50W 927 60D

Lifetime



Life Expectancy Diagram - MAS LED MR16 ExpertColor 7.2-50W 927 60D



Lumen Maintenance Diagram - MAS LED MR16 ExpertColor 7.2-50W 927 60D

