



MASTER LEDspot ExpertColor LV

MASTER LED ExpertColor LED ExpertColor 6.5-35W MR16 927 10D

MASTER LEDspot LV ExpertColor creates a warm and comfortable ambience for hospitality venues, homes and restaurants. It creates such an ambience with superior lighting that has a customised spectrum, high CRI and deep dimming feature. The result? A beautiful lighting experience. What's more, the innovative, trimless lens design will suit almost any interior decor with its clean and neat look. In addition, you can take advantage of the full ExpertColor family, which also includes LEDspot MV lamps.

Product data

General Information	
Cap base	GU5.3 [GU5.3]
Nominal lifetime (nom.)	40000 h
Switching cycle	50000X
Technical type	6.5-35W
Light Technical	
Colour code	927
Beam Angle (Nom)	10 °
Luminous flux (nom.)	410 lm
Luminous flux (rated) (nom.)	410 lm
Luminous intensity (nom.)	4600 cd
Colour designation	Warm white (WW)
Rated beam angle	10 °
Correlated colour temperature (nom.)	2700 K
Luminous efficacy (rated) (nom.)	63.00 lm/W

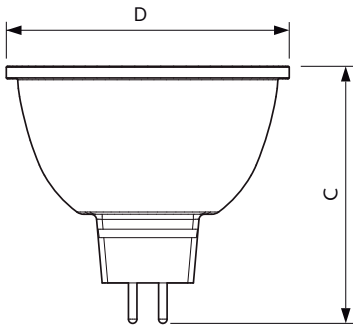
Colour consistency	<3
Color rendering index (nom.)	97
LLMF at end of nominal lifetime (nom.)	70 %
Luminous Flux in 90° Cone (Rated)	410 lm
Operating and Electrical	
Power (Rated) (Nom)	6.5 W
Lamp current (nom.)	800 mA
Wattage equivalent	35 W
Starting time (nom.)	0.5 s
Warm-up time to 60% light (nom.)	0.5 s
Power factor (nom.)	0.7
Voltage (Nom)	ac electronic 12 V

MASTER LEDspot ExpertColor LV

Temperature	
T-Case maximum (nom.)	90 °C
Controls and Dimming	
Dimmable	Yes
Approval and Application	
Energy efficiency label (EEL)	A
Suitable for accent lighting	Yes
Energy Consumption kWh/1000 h	8 kWh
Product Data	
Full product code	871869673871900

Order product name	MASTER LED ExpertColor LED ExpertColor 6.5-35W MR16 927 10D
EAN/UPC – product	8718696738719
Order code	73871900
Numerator – quantity per pack	1
Numerator – packs per outer box	10
Material no. (12NC)	929001341702
Net weight (piece)	0.034 kg

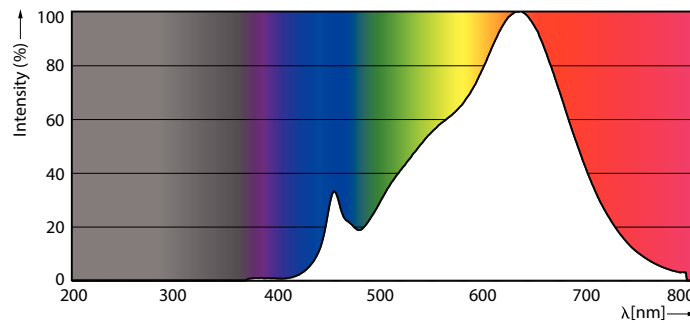
Dimensional drawing



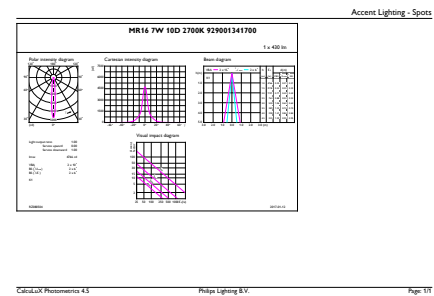
MR16 12V 6.5-30W 420lm 10D 2700K GU5.3 D

Product	D	C
MASTER LED ExpertColor LED ExpertColor 6.5-35W MR16 927 10D	51 mm	46 mm

Photometric data



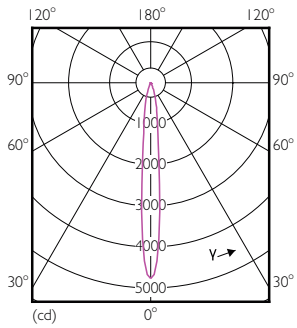
PAR38 120V 17-90W 1150lm 8D 2700K E26 D



MR16 12V 6.5-30W 420lm 10D 2700K GU5.3 D

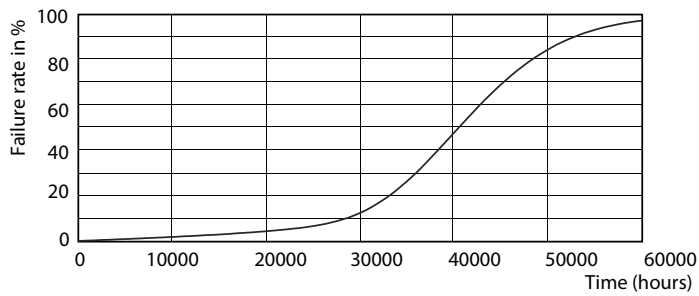
MASTER LEDspot ExpertColor LV

Photometric data

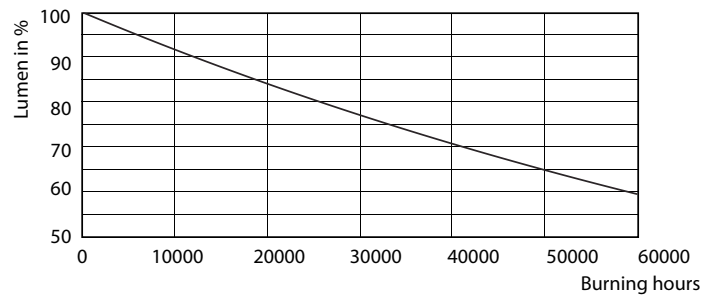


LEDspot MR16 7W 927 430lm 10D

Lifetime



LEDspots MR16 7W



LEDspots MR16 7W

