



MASTER LEDspot ExpertColor LV

MASTER LED ExpertColor LED ExpertColor 6.5-35W MR16 940 10D

MASTER LEDspot LV ExpertColor creates a warm and comfortable ambience for hospitality venues, homes and restaurants. It creates such an ambience with superior lighting that has a customised spectrum, high CRI and deep dimming feature. The result? A beautiful lighting experience. What's more, the innovative, trimless lens design will suit almost any interior decor with its clean and neat look. In addition, you can take advantage of the full ExpertColor family, which also includes LEDspot MV lamps.

Product data

General Information	
Cap base	GU5.3 [GU5.3]
Nominal lifetime (nom.)	40000 h
Switching cycle	50000X
Technical type	6.5-35W
Light Technical	
Colour code	940 [CCT of 4,000 K]
Beam Angle (Nom)	10°
Luminous flux (nom.)	440 lm
Luminous flux (rated) (nom.)	440 lm
Luminous intensity (nom.)	5000 cd
Colour designation	Cool White (CW)
Rated beam angle	10°
Correlated colour temperature (nom.)	4000 K
Luminous efficacy (rated) (nom.)	67.69 lm/W

Colour consistency	<3
Color rendering index (nom.)	97
LLMF at end of nominal lifetime (nom.)	70 %
Luminous Flux in 90° Cone (Rated)	440 lm
Operating and Electrical	
Power (Rated) (Nom)	6.5 W
Lamp current (nom.)	800 mA
Wattage equivalent	35 W
Starting time (nom.)	0.5 s
Warm-up time to 60% light (nom.)	0.5 s
Power factor (nom.)	0.7
Voltage (Nom)	ac electronic 12 V

MASTER LEDspot ExpertColor LV

Temperature

T-Case maximum (nom.)	90 °C
-----------------------	-------

Controls and Dimming

Dimmable	Yes
----------	-----

Approval and Application

Energy efficiency label (EEL)	A+
Suitable for accent lighting	Yes
Energy Consumption kWh/1000 h	8 kWh

Product Data

Full product code	871869673875700
-------------------	-----------------

Order product name	MASTER LED ExpertColor LED ExpertColor 6.5-35W MR16 940 10D
--------------------	--

EAN/UPC – product	8718696738757
-------------------	---------------

Order code	73875700
------------	----------

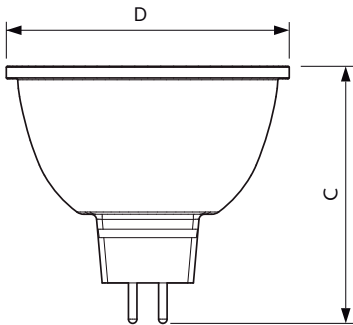
Numerator – quantity per pack	1
-------------------------------	---

Numerator – packs per outer box	10
---------------------------------	----

Material no. (12NC)	929001341902
---------------------	--------------

Net weight (piece)	0.034 kg
--------------------	----------

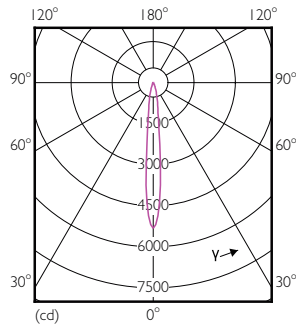
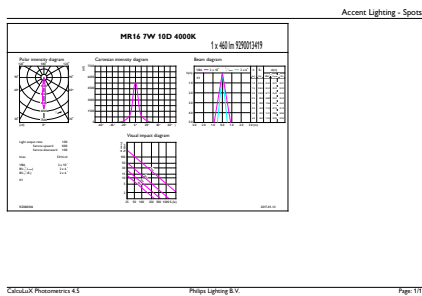
Dimensional drawing



MR16 12V 6.5-30W 450lm 10D 4000K GU5.3 D

Product	D	C
MASTER LED ExpertColor LED ExpertColor 6.5-35W MR16 940 10D	51 mm	46 mm

Photometric data

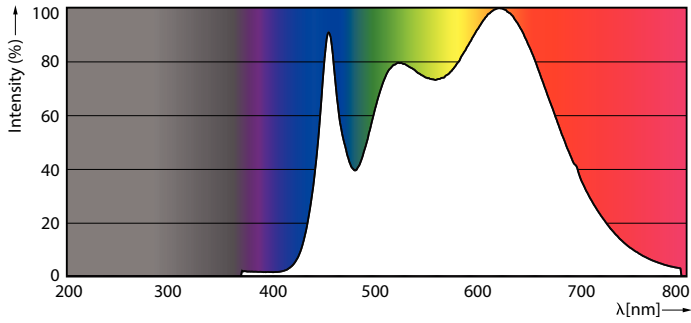


MR16 12V 6.5-30W 450lm 10D 4000K GU5.3 D

LEDSpots MR16 7W 940 460lm 10D

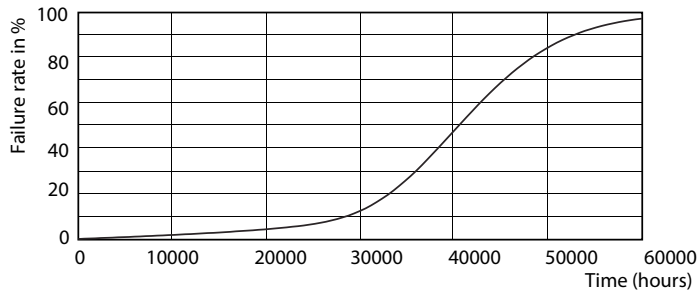
MASTER LEDspot ExpertColor LV

Photometric data

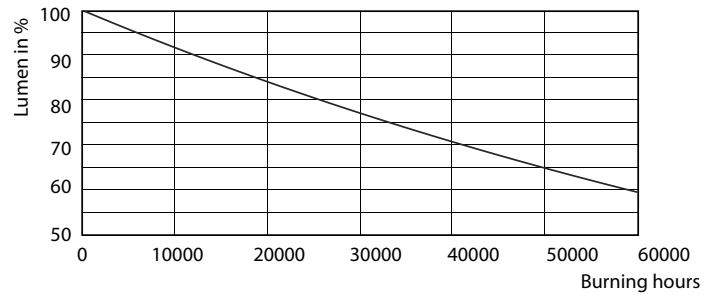


LEDspots MR16 7W 4000K

Lifetime



LEDspots MR16 7W



LEDspots MR16 7W

