



LED MR16

7.8MR16/PER/927/S10/Dim/EC/12V 10/1FB

Philips LED MR-16 lamps with single optic technology provide the look and color quality of traditional halogens while using a fraction of the energy. A perfect fit for spot lighting, they are compatible with most existing fixtures with MR16 GU5.3 holders and are designed as a retrofit replacement for halogen or incandescent spots.

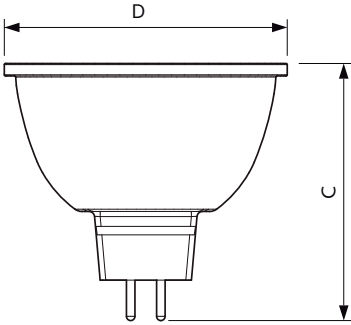
Product data

General Information		Wattage Equivalent	
Base	GU5.3 [GU5.3]		35 W
EU RoHS compliant	Yes	Starting Time (Nom)	0.5 s
Nominal Lifetime (Nom)	25000 h	Warm Up Time to 60% Light (Nom)	0.5 s
Switching Cycle	50000X	Power Factor (Nom)	0.7
Technical Type	7.8-35W	Voltage (Nom)	ac electronic 12 V
Light Technical		Temperature	
Color Code	927	T-Case Maximum (Nom)	105 °C
Beam Angle (Nom)	10 °	Controls and Dimming	
Initial lumen (Nom)	480 lm	Dimmable	Yes
Luminous Intensity (Nom)	5300 cd	Approval and Application	
Color Designation	Warm White (WW)	Suitable For Accent Lighting	Yes
Correlated Color Temperature (Nom)	2700 K	Product Data	
Luminous Efficacy (rated) (Nom)	61.00 lm/W	Order product name	7.8MR16/PER/927/S10/Dim/EC/12V 10/1FB
Color Consistency	<3	EAN/UPC - Product	046677470135
Color Rendering Index (Nom)	95	Order code	470138
LLMF At End Of Nominal Lifetime (Nom)	70 %	Numerator - Quantity Per Pack	1
Operating and Electrical		Numerator - Packs per outer box	10
Power (Rated) (Nom)	7.8 W	Material Nr. (12NC)	929001872504
Lamp Current (Nom)	880 mA		

LED MR16

Net Weight (Piece) 0.056 kg

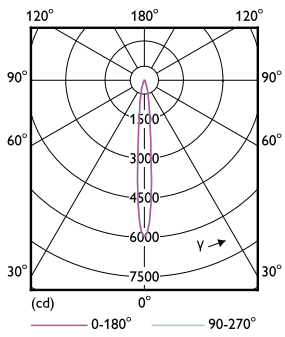
Dimensional drawing



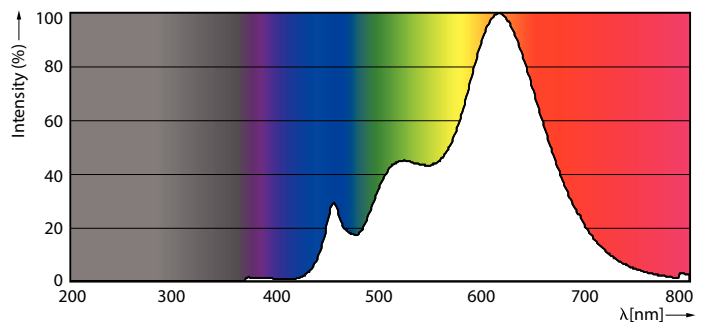
MR16 12V 7.5-35W 465lm 10D 2700K GU5.3 D

Product	D	C
7.8MR16/PER/927/S10/Dim/EC/12V 10/1FB	51 mm	46 mm

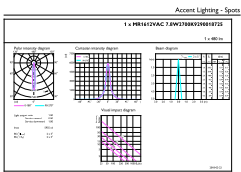
Photometric data



LEDspot 7.8W GU5.3 MR16 927 10D DIM



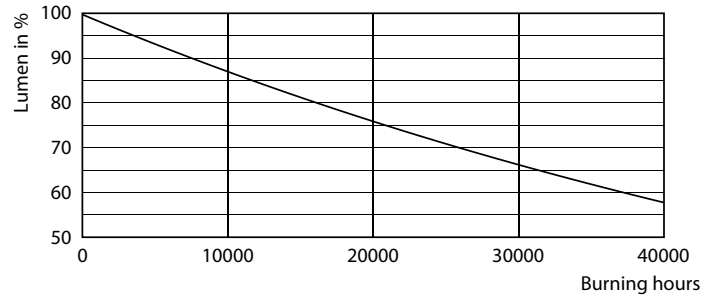
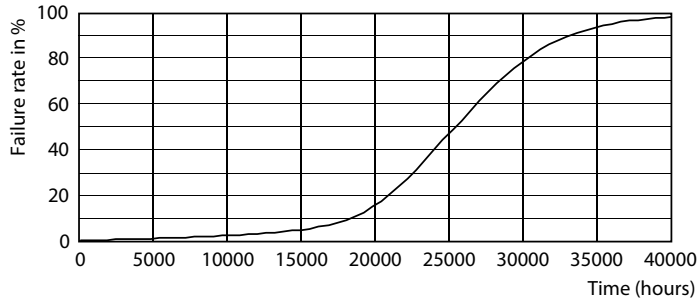
LEDspot 7.8W GU5.3 MR16 927 10D DIM



LEDspot 7.8W GU5.3 MR16 927 10D DIM

LED MR16

Lifetime



LEDspot 7.8W GU5.3 MR16 927 10D DIM

LEDspot 7.8W GU5.3 MR16 927 10D DIM

