



LED MR16

7.8MR16/PER/940/S10/Dim/EC/12V 10/1FB

Philips LED MR-16 lamps with single optic technology provide the look and color quality of traditional halogens while using a fraction of the energy. A perfect fit for spot lighting, they are compatible with most existing fixtures with MR16 GU5.3 holders and are designed as a retrofit replacement for halogen or incandescent spots.

Product data

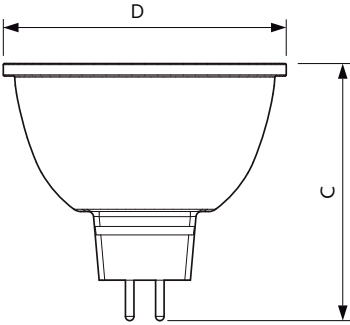
General Information	
Base	GU5.3 [GU5.3]
Nominal Lifetime (Nom)	25000 h
Switching Cycle	50000X
Technical Type	7.8-35W
Light Technical	
Color Code	940 [CCT of 4000K]
Beam Angle (Nom)	10 °
Initial lumen (Nom)	540 lm
Luminous Flux (Rated) (Nom)	540 lm
Luminous Intensity (Nom)	5900 cd
Color Designation	Cool White (CW)
Rated Beam Angle	10 °
Correlated Color Temperature (Nom)	4000 K
Luminous Efficacy (rated) (Nom)	69.00 lm/W
Color Consistency	<3
Color Rendering Index (Nom)	95
LLMF At End Of Nominal Lifetime (Nom)	70 %
Operating and Electrical	
Power (Rated) (Nom)	7.8 W

Lamp Current (Nom)	880 mA
Wattage Equivalent	35 W
Starting Time (Nom)	0.5 s
Warm Up Time to 60% Light (Nom)	0.5 s
Power Factor (Nom)	0.7
Voltage (Nom)	ac electronic 12 V
Temperature	
T-Case Maximum (Nom)	105 °C
Controls and Dimming	
Dimmable	Yes
Approval and Application	
Suitable For Accent Lighting	Yes
Product Data	
XUCDM.COPY.Product.Title	7.8MR16/PER/940/S10/Dim/EC/12V 10/1FB
EAN/UPC - Product	046677470159
Order code	470153
Numerator - Quantity Per Pack	1
Numerator - Packs per outer box	10

LED MR16

Material Nr. (12NC)	929001872704
Net Weight (Piece)	0.056 kg

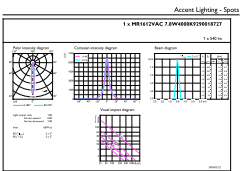
Dimensional drawing



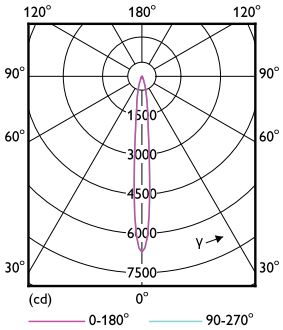
MR16 12V 7.5-35W 490lm 10D 4000K GU5.3 D

Product	D	C
7.8MR16/PER/940/S10/Dim/EC/12V 10/1FB	51 mm	46 mm

Photometric data

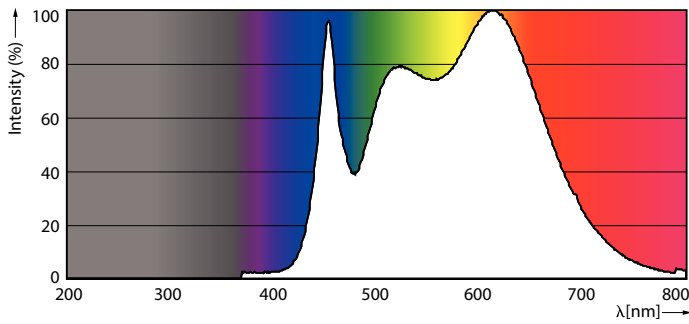


OSRAM PHOTOMETRIC DATA



LEDspot 7.8W GU5.3 MR16 940 10D DIM

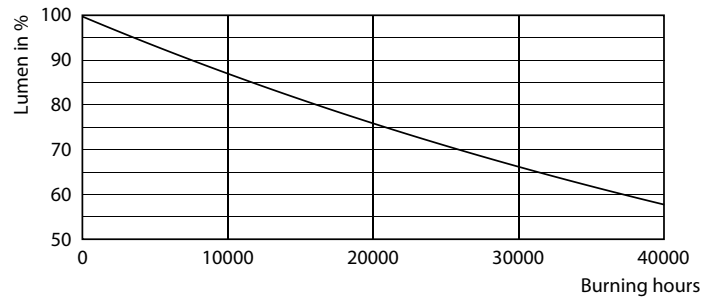
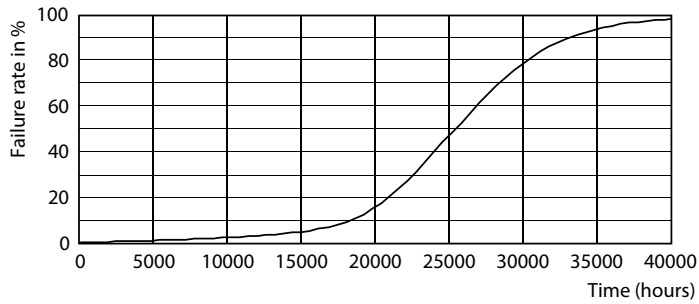
LEDspot 7.8W GU5.3 MR16 940 10D DIM



LEDspot 7.8W GU5.3 MR16 940 10D DIM

LED MR16

Lifetime



LEDspot 7.8W GU5.3 MR16 927 10D DIM

LEDspot 7.8W GU5.3 MR16 927 10D DIM

