



# Essential LEDspot MR16

## ESS LED MR16 4.5-50W 36D 830 SO 100-240V

Essential LEDspots MR16 are compatible with most existing fixtures with a GU5.3 socket and are designed as a retrofit replacement for halogen spots. Essential LEDspots MR16 deliver significant energy savings and minimize initial investment.

### Product data

General Information	
Cap-Base	GU5.3
Nominal lifetime	15,000 hour(s)
Switching Cycle	50,000
Lighting Technology	LED
EU RoHS compliant	Yes

Light Technical	
Color Code	830 [CCT of 3000K]
Beam Angle (Nom)	36 degree(s)
Luminous Flux	400 lm
Luminous Intensity (Nom)	700 cd
Color Designation	White (WH)
Correlated Color Temperature (Nom)	3000 K
Luminous Efficacy (rated) (Nom)	88.00 lm/W
Color Consistency	<6
Color rendering index (CRI)	80
LLMF At End Of Nominal Lifetime (Nom)	70 %

Operating and Electrical	
Line Frequency	50 to 60 Hz

Input Frequency	50 to 60 Hz
Power Consumption	4.5 W
Wattage Equivalent	50 W
Starting Time (Nom)	0.5 s
Warm-up time to 60% light	0.5 s
Power Factor (Fraction)	0.4
Voltage (Nom)	100-240 V

Temperature	
T-Case Maximum (Nom)	65 °C

Controls and Dimming	
Dimmable	No

Mechanical and Housing	
Bulb Shape	MR16

Approval and Application	
Suitable For Accent Lighting	Yes
Energy Consumption kWh/1000 h	4.5 kWh

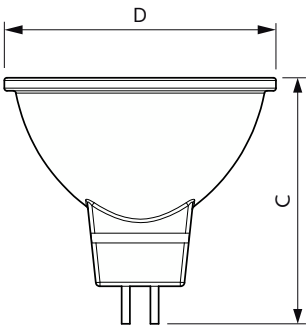
# Essential LEDspot MR16

## Product Data

<b>Order product name</b>	ESS LED MR16 4.5-50W 36D 830 SO 100-240V
<b>Full product name</b>	ESS LED MR16 4.5-50W 36D 830 SO 100-240V
<b>Full product code</b>	871869680919800
<b>Order code</b>	80919800

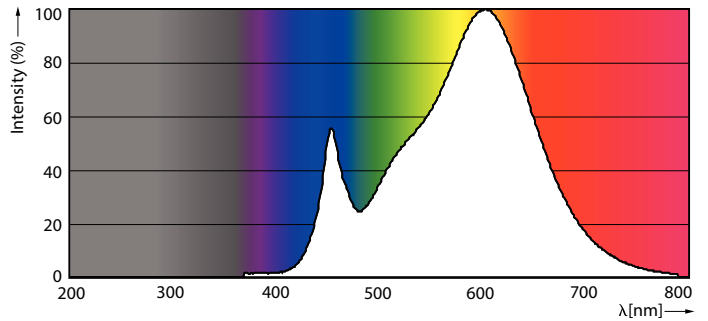
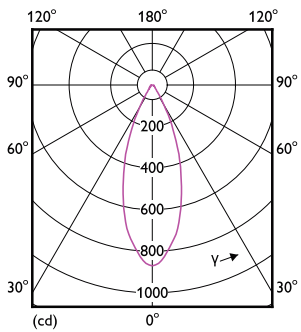
<b>Material Nr. (12NC)</b>	929001874008
<b>Numerator - Quantity Per Pack</b>	1
<b>EAN/UPC - Product/Case</b>	8718696809198
<b>Numerator - Packs per outer box</b>	10
<b>EAN/UPC - Case</b>	8718696809204

## Dimensional drawing



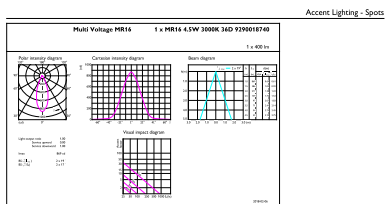
Product	D	C
ESS LED MR16 4.5-50W 36D 830 SO 100-240V	50.5 mm	46.5 mm

## Photometric data



Light Distribution Diagram - ESS LED MR16 4.5-50W 36D 830 SO 100-240V

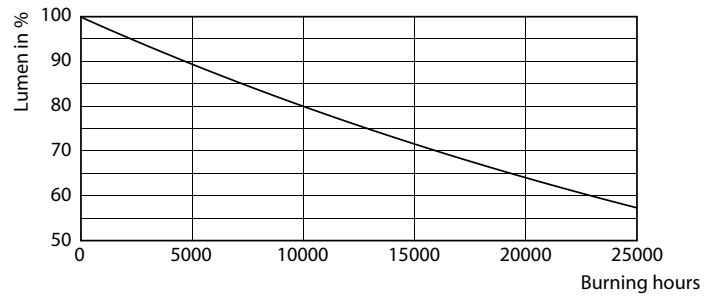
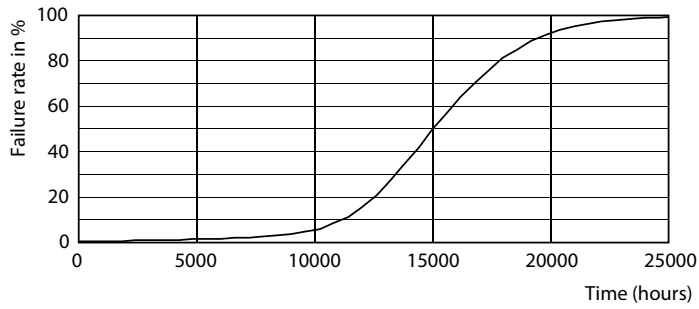
Spectral Power Distribution Colour - ESS LED MR16 4.5-50W 36D 830 SO 100-240V



Accent Lighting Spots - ESS LED MR16 4.5-50W 36D 830 SO 100-240V

# Essential LEDspot MR16

## Lifetime



Life Expectancy Diagram - ESS LED MR16 4.5-50W 36D 830 SO 100-240V

Lumen Maintenance Diagram - ESS LED MR16 4.5-50W 36D 830 SO 100-240V

