



# MASTER LEDspot LV

## MASTER LED 7-50W 940 MR16 24D Dim

Delivering intense accent beam, MASTER LEDspot LV is an ideal retrofit solution for spot lighting. MASTER LEDspot LV is designed to replace halogen or incandescent spots. It realizes natural colors, enables cozy and comfortable ambience for residential, hospitality and emphasizes the beauty of merchandise in retail. New smaller housing provides perfect fitting with majority of luminaires in a market with a MR16 GU 5.3 holder. It not only employs Philips' patented solution to guarantee the broadest possible compatibility with standard 12V halogen electronic transformers, it also delivers high beam intensity which is equivalent to halogen MR16 spots. The dimming function enables to create the desired atmosphere and it works with broad selection of dimmers. Its high SDCM ensure stricter color consistency, that is maintained over product life. MASTER LEDspot LV delivers huge energy savings and minimizes maintenance cost without any compromise on light quality and lifetime, enabling residential and business owners to achieve a return on their investment within short period time.

### Product data

General Information		Operating and Electrical	
Cap-Base	GU5.3 [GU5.3]	Correlated Color Temperature (Nom)	4000 K
Nominal lifetime	40,000 hour(s)	Luminous Efficacy (rated) (Nom)	75.00 lm/W
Switching Cycle	50,000	Color Consistency	<4
Lighting Technology	LED	Color rendering index (CRI)	90
EU RoHS compliant	Yes	LLMF At End Of Nominal Lifetime (Nom)	70 %
Light Technical		Line Frequency	- Hz
Color Code	940 [CCT of 4000K]	Input Frequency	- Hz
Beam Angle (Nom)	24 degree(s)	Power Consumption	7 W
Luminous Flux	530 lm	Lamp Current (Nom)	830 mA
Luminous Intensity (Nom)	2,700 cd	Wattage Equivalent	50 W
Color Designation	Cool White (CW)	Starting Time (Nom)	0.5 s

# MASTER LEDspot LV

Warm-up time to 60% light	0.5 s
Power Factor (Fraction)	0.7
Voltage (Nom)	12 V

## Temperature

T-Case Maximum (Nom)	90 °C
----------------------	-------

## Controls and Dimming

Dimmable	Yes
----------	-----

## Mechanical and Housing

Bulb Shape	MR16 [2inch/50mm]
------------	-------------------

## Approval and Application

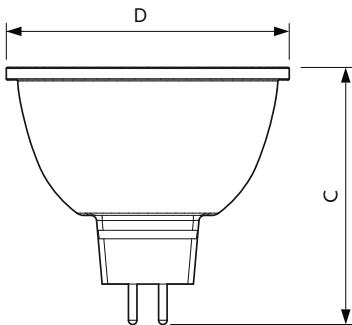
Suitable For Accent Lighting	Yes
------------------------------	-----

Energy Consumption kWh/1000 h	8 kWh
-------------------------------	-------

## Product Data

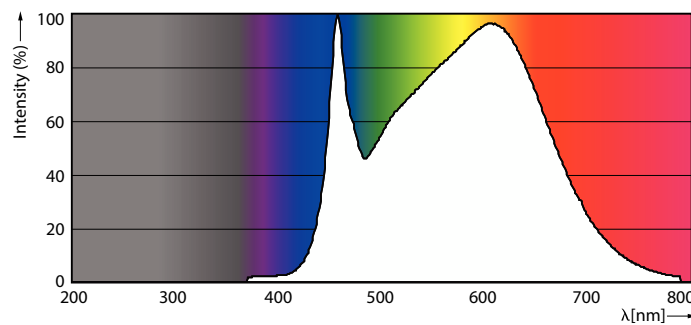
Order product name	MASTER LED 7-50W 940 MR16 24D Dim
Full product name	MASTER LED 7-50W 940 MR16 24D Dim
Full product code	871869681229700
Order code	929001880008
Material Nr. (12NC)	929001880008
Numerator - Quantity Per Pack	1
EAN/UPC - Product/Case	8718696812297
Numerator - Packs per outer box	10
EAN/UPC - Case	8718696812303

## Dimensional drawing

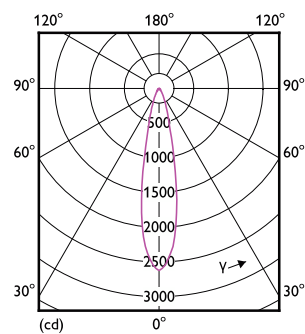


Product	D	C
MASTER LED 7-50W 940 MR16 24D Dim	50.5 mm	46.5 mm

## Photometric data



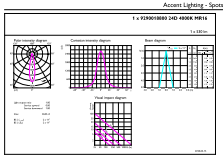
Spectral Power Distribution Colour - MASTER LED 7-50W 940 MR16 24D Dim



Light Distribution Diagram - MASTER LED 7-50W 940 MR16 24D Dim

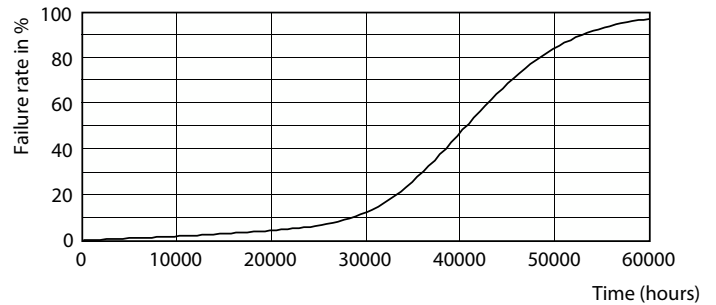
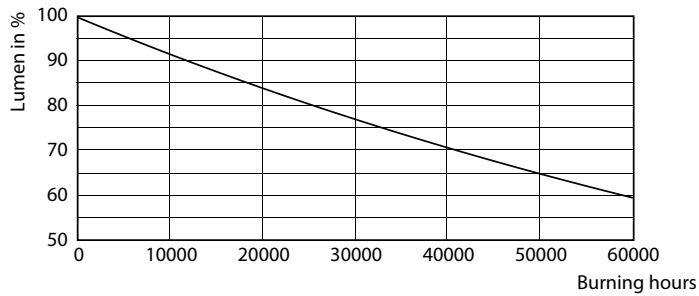
# MASTER LEDspot LV

## Photometric data



### Accent Lighting Spots - MASTER LED 7-50W 940 MR16 24D Dim

## Lifetime



### Lumen Maintenance Diagram - MASTER LED 7-50W 940 MR16 24D Dim

### Life Expectancy Diagram - MASTER LED 7-50W 940 MR16 24D Dim

