



Essential LEDspot MR16

Essential LED 6.5-50W 827 MR16 36D

Essential LEDspots MR16 are compatible with most existing fixtures with a GU5.3 socket and are designed as a retrofit replacement for halogen spots. Essential LEDspots MR16 deliver significant energy savings and minimise the initial investment.

Product data

General Information	
Cap base	GU5.3 [GU5.3]
Nominal lifetime (nom.)	15000 h
Switching cycle	50000X
Technical type	6.5-50W
Light Technical	
Colour Code	827 [CCT of 2,700 K]
Technical Beam Angle (Nom)	36 °
Lamp Luminous Flux 25°C EL (Nom)	500 lm
Luminous intensity (nom.)	800 cd
Colour Designation	Warm white (WW)
Colour Temperature, horizontal (Nom)	2700 K
Lamp Luminous Efficacy EM (Nom)	76.00 lm/W
Colour consistency	<6
Colour Rendering Index,horiz (Nom)	80
LLMF at end of nominal lifetime (nom.)	70 %
Operating and Electrical	
Power (Rated) (Nom)	6.5 W

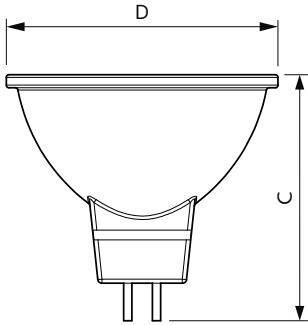
Lamp current (nom.)	770 mA
Wattage equivalent	50 W
Starting time (nom.)	0.5 s
Warm-up time to 60% light (nom.)	0.5 s
Power factor (nom.)	0.6
Voltage (Nom)	ac electronic 12 V
Temperature	
T-Case maximum (nom.)	81 °C
Controls and Dimming	
Dimmable	No
Approval and Application	
Suitable for accent lighting	Yes
Energy Consumption kWh/1000 h	8 kWh
Product Data	
Full product code	871869962267100
Order product name	Essential LED 6.5-50W 827 MR16 36D

Essential LEDspot MR16

EAN/UPC – product	8718699622671
Order code	929001975738
Numerator – quantity per pack	1
Numerator – packs per outer box	10

Material no. (12NC)	929001975738
Net weight (piece)	0.033 kg

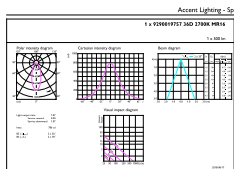
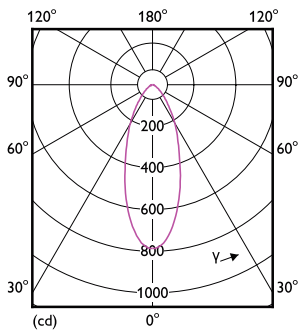
Dimensional drawing



MR16 12V 6.5-50W 500lm 36D 2700K GU5.3

Product	D	C
Essential LED 6.5-50W 827 MR16 36D	50.5 mm	45.5 mm

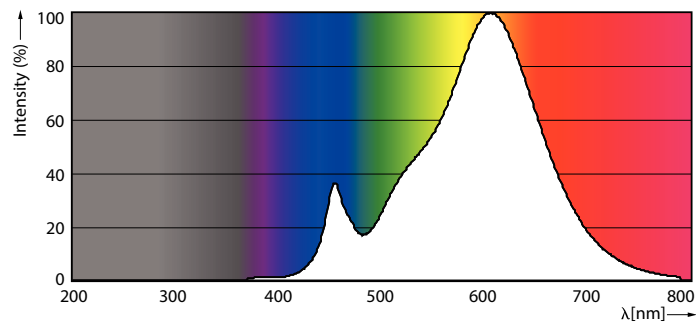
Photometric data



Philips Lighting B.V. Page 1/1

LEDspot Essential 6.5W GU5.3 MR16 827 36D ND

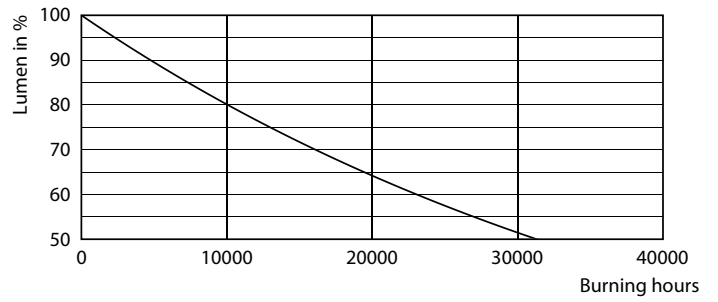
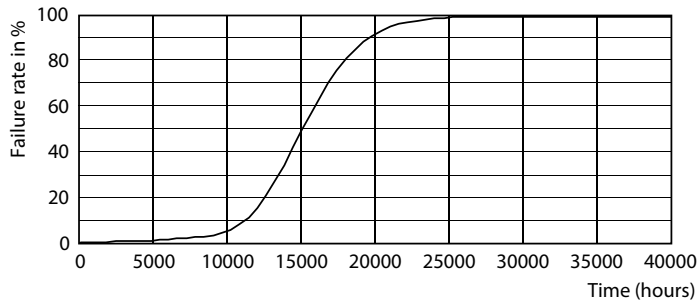
LEDspot Essential 6.5W GU5.3 MR16 827 36D ND



LEDspot Essential 6.5W GU5.3 MR16 827 36D ND

Essential LEDspot MR16

Lifetime



LEDspot Essential 6.5W GU5.3 MR16 827 36D ND

LEDspot Essential 6.5W GU5.3 MR16 827 36D ND

