



LED Highbay

45HB/LED/830/ND FB 6/1

Philips LED high bay lamps are a direct replacement for 250W to 400W metal halide lamps which will deliver substantial energy savings. Available in both plug-and-play (UL Type A) and MainsFit (UL Type B) options, Philips LED HighBays delivers bright, clean light for a fraction of the energy used by conventional HID.

Product data

General Information	
Base	E26 [Single Contact Medium Screw]
EU RoHS compliant	Yes
Nominal Lifetime (Nom)	25000 h
Switching Cycle	50000X
Technical Type	45-100W
Light Technical	
Color Code	830 [CCT of 3000K]
Beam Angle (Nom)	200 °
Initial lumen (Nom)	4500 lm
Color Designation	White (WH)
Correlated Color Temperature (Nom)	3000 K
Luminous Efficacy (rated) (Nom)	100.00 lm/W
Color Consistency	<6
Color Rendering Index (Nom)	80
LLMF At End Of Nominal Lifetime (Nom)	70 %
Operating and Electrical	
Input Frequency	50 to 60 Hz
Power (Rated) (Nom)	45 W
Lamp Current (Nom)	400 mA
Wattage Equivalent	100 W

Starting Time (Nom)	0.5 s
Warm Up Time to 60% Light (Nom)	0.5 s
Power Factor (Nom)	0.92
Voltage (Nom)	120 V

Temperature	
T-Case Maximum (Nom)	90 °C

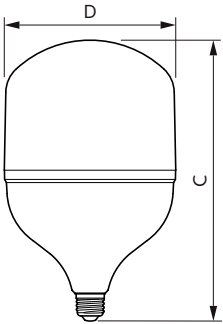
Controls and Dimming	
Dimmable	No

Mechanical and Housing	
Bulb Finish	Frosted

Product Data	
Order product name	45HB/LED/830/ND FB 6/1
EAN/UPC - Product	046677541934
Order code	541938
Numerator - Quantity Per Pack	1
Numerator - Packs per outer box	6
Material Nr. (12NC)	929001989804
Net Weight (Piece)	0.347 kg

LED Highbay

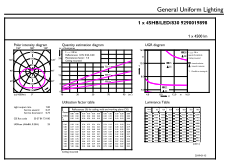
Dimensional drawing



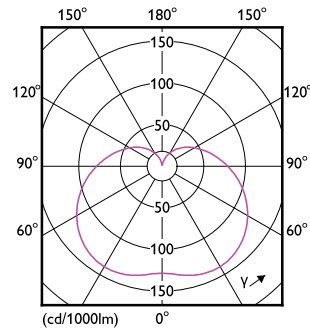
Bulb 120-240V 42-W 4500lm 3000K E26 ND

Product	D	C
45HB/LED/830/ND FB 6/1	160 mm	264 mm

Photometric data

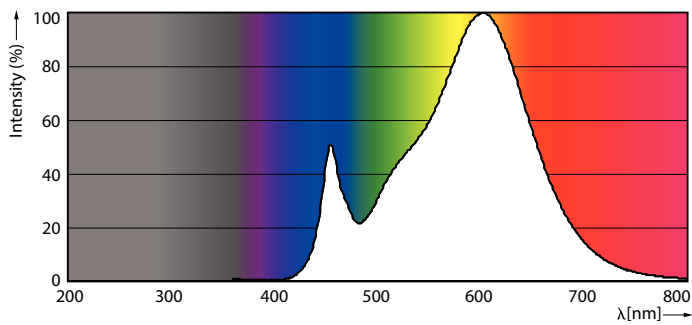


©2019 Phosoronic LLC. All rights reserved. Page 11



LEDTrueForce E26 120-240V 45HB 830 42W

LEDTrueForce E26 120-240V 45HB



LEDTrueForce E26 120-240V 45HB 830 42W

LED Highbay

Lifetime



LEDTrueForce E26 120-240V

LEDTrueForce E26 120-240V

