



LED Designer Deco

16UFO/LED/865/FR/P/ND 6/1FB

Philips LED Designer Deco lamps allow you to maintain a warm, classic light or a modern, chic effect while providing longer life and energy savings

Product data

General Information	
Base	E26 [Single Contact Medium Screw]
EU RoHS compliant	Yes
Nominal Lifetime (Nom)	15000 h
Switching Cycle	50000X
Technical Type	16-75W

Light Technical	
Color Code	865 [CCT of 6500K]
Beam Angle (Nom)	120 °
Initial lumen (Nom)	1200 lm
Color Designation	Cool Daylight
Correlated Color Temperature (Nom)	6500 K
Luminous Efficacy (rated) (Nom)	75.00 lm/W
Color Consistency	<6
Color Rendering Index (Nom)	80
LLMF At End Of Nominal Lifetime (Nom)	70 %

Operating and Electrical	
Input Frequency	50 to 60 Hz
Power (Rated) (Nom)	16 W
Lamp Current (Nom)	230 mA
Wattage Equivalent	75 W
Starting Time (Nom)	0.5 s

Warm Up Time to 60% Light (Nom)	0.5 s
Power Factor (Nom)	0.5
Voltage (Nom)	110-240 V

Temperature	
T-Case Maximum (Nom)	75 °C

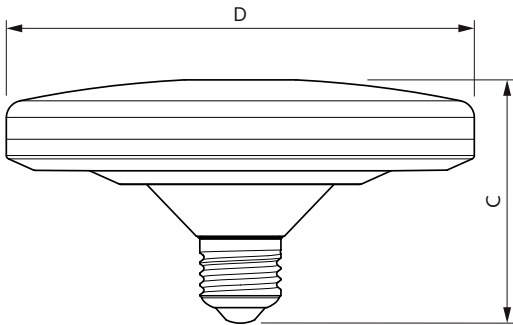
Controls and Dimming	
Dimmable	No

Mechanical and Housing	
Bulb Finish	Frosted

Product Data	
Order product name	16UFO/LED/865/FR/P/ND 6/1FB
EAN/UPC - Product	046677545116
Order code	545110
Numerator - Quantity Per Pack	1
Numerator - Packs per outer box	6
Material Nr. (12NC)	929002010605
Net Weight (Piece)	0.137 kg

LED Designer Deco

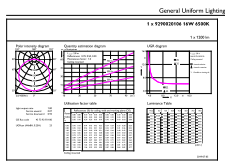
Dimensional drawing



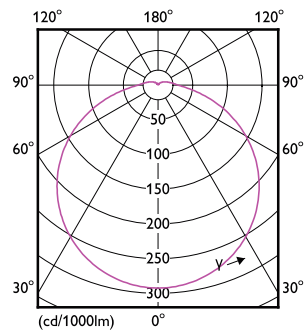
Bulb 110-240V 15-W 1300lm 6500K E26 ND

Product	D	C
16UFO/LED/865/FR/P/ND 6/1FB	150 mm	77 mm

Photometric data

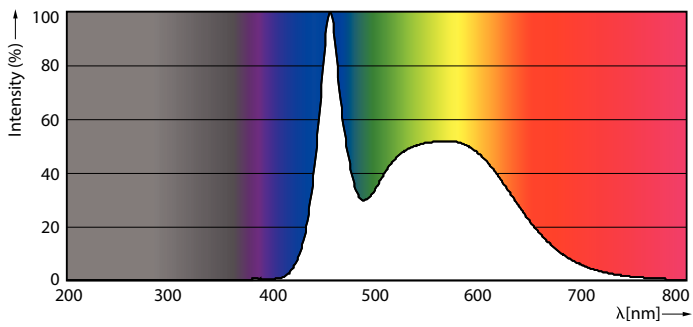


General Uniform Lighting
1.1 x 2.2m (36' x 72')



LEDbulb UFO 75W E26 Others 865 Frosted

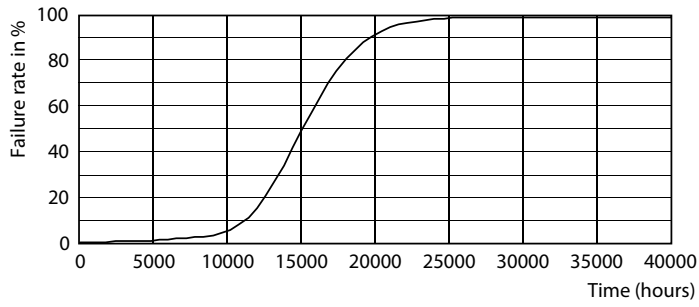
LEDbulb UFO 75W E26 Others 865 Frosted



LEDbulb UFO 75W E26 Others 865 Frosted

LED Designer Deco

Lifetime



15K LED

15K LMP

