



LED Designer Deco

24UFO/LED/865/FR/P/ND 6/1FB

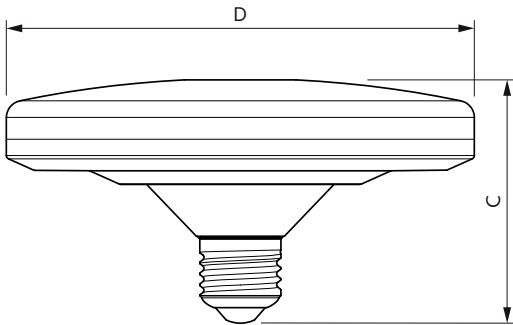
Philips LED Designer Deco lamps allow you to maintain a warm, classic light or a modern, chic effect while providing longer life and energy savings

Product data

General Information		Warm Up Time to 60% Light (Nom)	
Base	E26 [Single Contact Medium Screw]		0.5 s
EU RoHS compliant	Yes	Power Factor (Nom)	0.5
Nominal Lifetime (Nom)	15000 h	Voltage (Nom)	110-240 V
Switching Cycle	50000X	Temperature	
Technical Type	26-125W	T-Case Maximum (Nom)	72 °C
Light Technical		Controls and Dimming	
Color Code	865 [CCT of 6500K]	Dimmable	No
Beam Angle (Nom)	120 °	Mechanical and Housing	
Initial lumen (Nom)	2050 lm	Bulb Finish	Frosted
Color Designation	Cool Daylight	Product Data	
Correlated Color Temperature (Nom)	6500 K	Order product name	26UFO/LED/865/FR/P/ND 6/1FB
Luminous Efficacy (rated) (Nom)	78.00 lm/W	EAN/UPC - Product	046677545130
Color Consistency	<6	Order code	545137
Color Rendering Index (Nom)	80	Numerator - Quantity Per Pack	1
LLMF At End Of Nominal Lifetime (Nom)	70 %	Numerator - Packs per outer box	6
Operating and Electrical		Material Nr. (12NC)	929002010805
Input Frequency	50 to 60 Hz	Net Weight (Piece)	0.253 kg
Power (Rated) (Nom)	26 W		
Lamp Current (Nom)	360 mA		
Wattage Equivalent	125 W		
Starting Time (Nom)	0.5 s		

LED Designer Deco

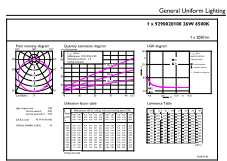
Dimensional drawing



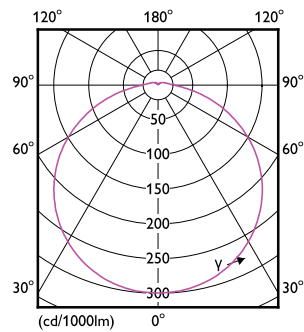
Bulb 110-240V 24-W 2200lm 6500K E26 ND

Product	D	C
26UFO/LED/865/FR/P/ND 6/1FB	200 mm	77 mm

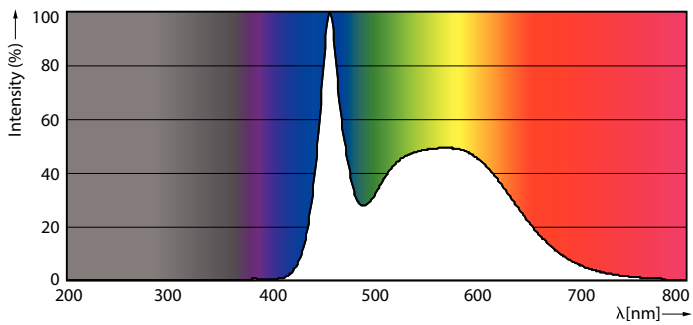
Photometric data



General Uniform Lighting



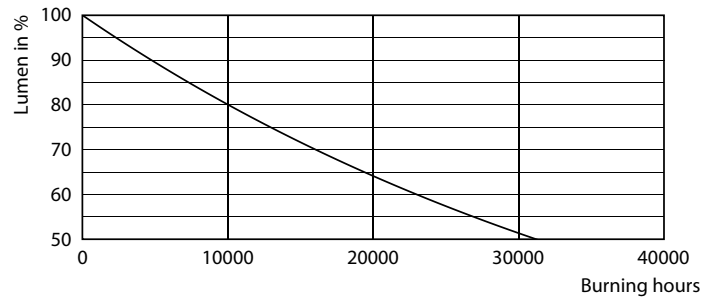
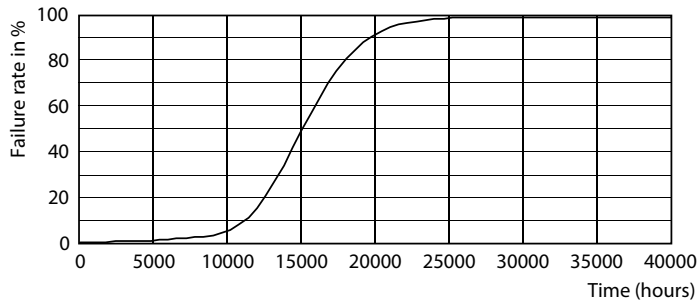
LEDbulb UFO 125W E26 Others 865 Frosted



LEDbulb UFO 125W E26 Others 865 Frosted

LED Designer Deco

Lifetime



15K LED

15K LMP

