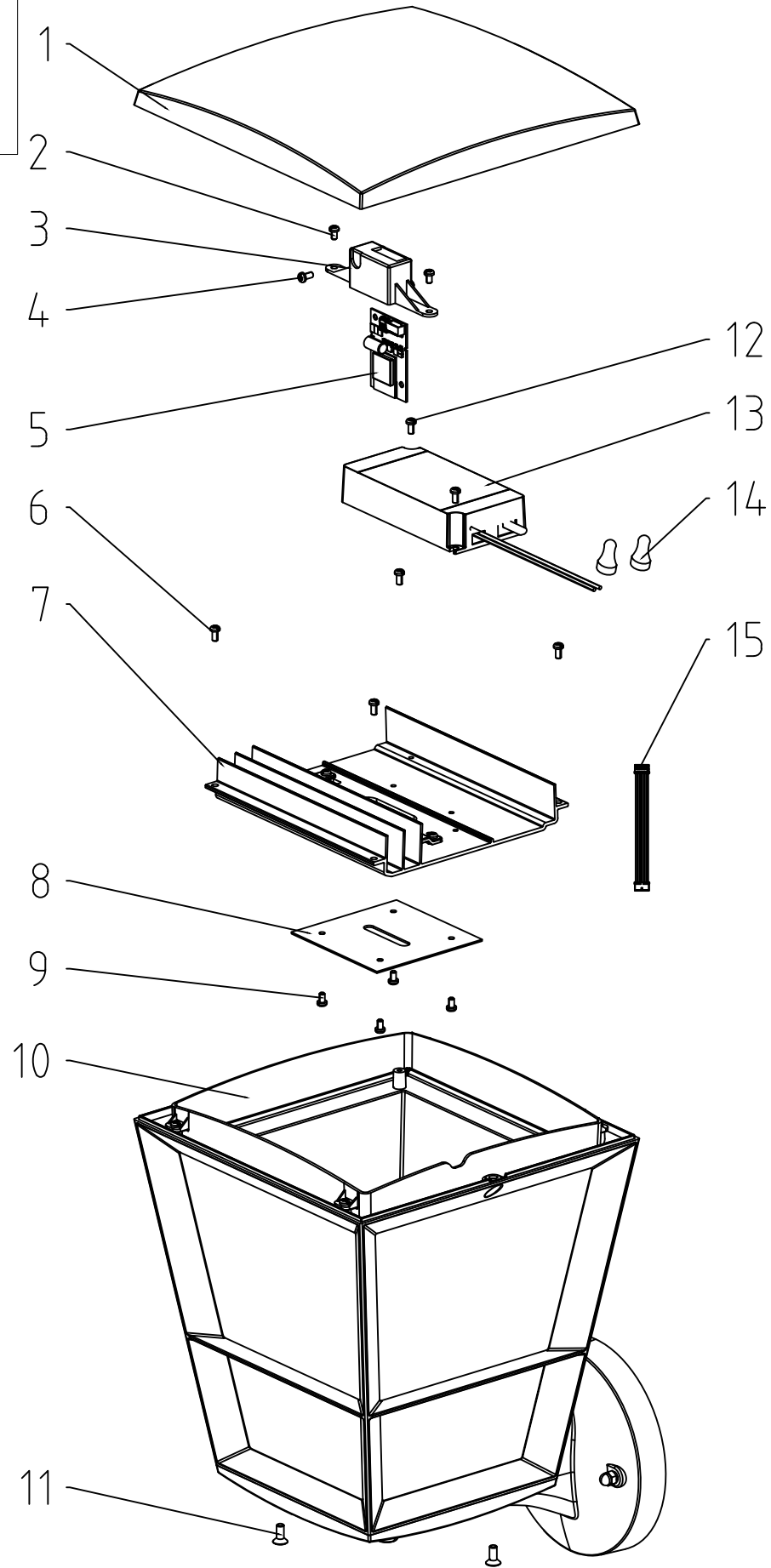


PHILIPS
hue



#	COMPONENT	QTY
1	COVER	1
2	SCREW	2
3	BRACKET	1
4	SCREW	1
5	LIGHT SOURCE - HUE CONNECT	1
6	SCREW	4
7	HEAT SINK	1
8	LIGHT SOURCE - LED MODULE	1
9	SCREW	4
10	CAGE	1
11	SCREW	2
12	SCREW	2
13	CONTROL GEAR - PSU	1
14	CLOSED END CONNECTOR	2
15	FLAT CABLE	1

SKU	Color	Country
915005732101	BLACK	EU

Warnings

Always make sure the luminaire is detached from the mains socket
 Always make sure the DC cable is detached from the power supply
 Staring at the operating light source may cause eye injury

#	Disassemble/dismantle steps	Tools needed
a	REMOVE COVER (1) BY UNSCREWING THE SCREWS (11)	CROSS HEAD SCREW DRIVER
b	REMOVE THE CLOSED END CONNECTORS (14)	PINCER
c	REMOVE BRACKET (3) BY UNSCREWING THE SCREWS (2)	CROSS HEAD SCREW DRIVER
d	REMOVE LIGHT SOURCE - HUE CONNECT (5) FROM BRACKET (3) BY UNSCREWING THE SCREW (4)	CROSS HEAD SCREW DRIVER
e	REMOVE FLAT CABLE (15) FROM THE LIGHT SOURCE - HUE CONNECT (5)	-
f	REMOVE WIRES OF THE CONTROL GEAR - PSU (13) FROM THE LIGHT SOURCE - HUE CONNECT (5)	FLATHEAD SCREWDRIVER OR WAGO TOOL #2065
g	REMOVE HEAT SINK (7) FROM THE CAGE (10) BY UNSCREWING THE SCREWS (6)	CROSS HEAD SCREW DRIVER
h	REMOVE LIGHT SOURCE - LED MODULE (8) FROM THE HEAT SINK (7) BY UNSCREWING THE SCREWS (9)	CROSS HEAD SCREW DRIVER

STATUS	DESCRIPTION	DESIGN ID	
2021-04-12	Econic Hue WACA EU up wall lantern black	DOC 12NC	
NAME JZ	LOCAL PART ID	SH. 1	SH. A3-P
CHECKED	DATE		