



Calculite LED 6" generation 3 provides excellent performance coupled with optimized installation flexibility. Industry leading visual comfort and uniform illumination make it an ideal choice for open office, institution, healthcare, and retail applications.

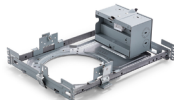
Standard luminaire: Complete luminaire = Frame + Engine + Trim + Accessories (optional)

Flex install luminaire: Complete luminaires = Engine (F) + Trim + Accessories (optional)

Project: _____
 Location: _____
 Cat.No: _____
 Type: _____
 Qty: _____
 Notes: _____

Follow the ordering guidelines below. Each step is a separate order line.

Step 1 Frame: Ordered & shipped separately.



Frame Example: 6R
6R

Step 2 Engine & Trim: Ordered & shipped as a single product.



Engine Example: C6L15935MZ10U-C6RDLCCP
C6L - **C6R**

Step 3 (optional) Accessories: Ordered & shipped separately.

Frame

Example: 6R

Series	Installation	Voltage / Options
6R		
6R 6" Non-IC Round	N New construction	- Universal 120/277/347V EM6 Emergency, 6W Self-Test/Self-Diagnostic ¹ LC Chicago Plenum ²
	R Remodeler	- Universal 120/277/347V BAC Meets the requirements of the Buy American Act of 1933 (BAA) ^{10,11} BABAF Meets the requirements of the Build America Buy America Act for projects funded through FHWA that are obligated before October 1, 2026, and meets the Buy America preferences for FTA ^{10,11}

Engine

Example: C6L20930MZ10D20UF

Series	Lumens	CRI/CCT	Beam	Dimming	Options	Voltage	Options
C6L							
C6L Calculite LED 6" gen 3	10 1000lm	927 90CRI/2700K	N Narrow (40°)	Z10 0-10V 1%		U 120/277V 3 347V ⁶ (Z10 only)	F Flex install ⁷ (no frame required) R Calculite legacy retrofit - select legacy luminaires ⁸ BAC Meets the requirements of the Buy American Act of 1933 (BAA) ^{10,11} BABAF Meets the requirements of the Build America Buy America Act for projects funded through FHWA that are obligated before October 1, 2026, and meets the Buy America preferences for FTA ^{10,11}
	15 1500lm	930 90CRI/3000K		Z10-D20 0-10V 1% Dim to Off (up to 3500lm)			
	20 2000lm	935 90CRI/3500K	M Medium (56°)	L01 Lutron PEQ0 EcoSystem 0.1% (up to 2000lm)			
	25 2500lm	940 90CRI/4000K		L1 Lutron LDE1 EcoSystem (500lm not available)			
	30 3000lm	940 90CRI/4000K	W Wide (76°)	RA Integral Interact RF sensor 5 (enables wireless connected lighting control)			
	35 3500lm	950 90CRI/5000K ³		D DALI 0.1% ⁶			
48 4800lm*	D2W 90CRI/3000K to 1800K ⁴ (dim-to-warm)		SOL EldoLED Solo 0-10V 0.1%				
60 6000lm*			DMX Digital Multiplexing w/RDM 0.1%				
			E Forward & Reverse Phase (up to 3000lm)				

Trim

Example: C6RDLCCP

Series	Aperture	Style	Finish	Flange	Options
C6	R				
C6 Calculite LED 6" gen 3	R Round	DL Downlight	BK Black (anodized)	CC Comfort clear	- White (matte)
			CL Specular clear	CD Comfort clear diffuse	P Polished (matches aperture)
			WH White (matte)	CZ Champagne bronze	F Flangeless (requires CA6RFT)
		WHAMF White (gloss antimicrobial)		- White (matches finish)	
		SL Shower light ⁹	WH White (matte)	- (not applicable)	
			WHAMF White (gloss antimicrobial)		

See footnotes on page 2.

C6RDL Calculite LED 6" gen 3

Round Downlight

Accessories¹⁰ (Not currently BAA-compliant) learn more below

SWCS	Interact Ready System Bridge Accessory (refer to SWCS spec sheet for options and details)
6RNSR	6" round/square non-IC frame for use with Flex (F) light engine (provides mechanical support for rough-in construction only, no junction box)
LCEM6	Field installable Bodine BSL06 emergency battery pack (for Flex (F) light engine only, includes switch mounting plate)
T347-75VA	347:120V step-down transformer for non-IC (N) frame only (see page 3)
7925	Sloped ceiling 6" adapter for 6RN and 6RA frames, specify with flanged trims only. (refer to SCA spec sheet for slope options)
CA6RFT	Mud-in ring for use in 6" round flangeless trim installations (ordered with a flangeless trim)
CAEM6	Field-installable Bodine BSL6 6W battery pack with self-test/self-diagnostic (for new construction frames, 120-277V - see page 3 for details)
C6RVPWH	IP65 Rated vandal proof matte white accessory mounts onto flangeless trims (C6RDL□F) and new construction frame only
CAEM6TSCP	Emergency test switch mounting plate. Must be ordered with EM6 frame for remote test switch (see page 3)

Beam options

Trim	Nar. engine	Med. engine	Wide engine
Nar. & Med.	20° (0.3 s.c.)	44° (0.7 s.c.)	59° (0.9 s.c.)
Wide	35° (0.6 s.c.)	59° (1.0 s.c.)	69° (1.2 s.c.)

Footnotes

- Emergency (EM6) frame is compatible with reflector mounted test switch when trim is ordered with IEM6 option, DL style trim only (not compatible with 347V configs). For remote mount switch, order standard trim and CAEM6TSCP mounting plate accessory.
- Chicago plenum (LC) frame option not available with BAC nor EM6 options.
- Consult factory for 5000K CCT (50) with narrow (N) beam.
- Dim-to-warm (D2W) available only with Z10 dimming up to 2500lm. Narrow (N) and medium (M) beam engines only.
- Linear driver profile (see page 8).
- DALI 4800lm and 6000lm, and all RA options require linear driver configuration (see page 8).
- Flex install option requires light engine & trim only. Up to 3500lm only. Not available with Interact (RA) dimming and IEM6 trim options.
- Retrofits select legacy luminaires (E & Z10 dimming only see pages 2 & 7).
- Non-conductive flush mount lens with pre-installed gasket (matte white non-conductive flange with diffuse lens that is flush with the flange).

Round Downlight

Photometric - Downlights with CRI of 90+ & R9 of 50+

Lumen Package	Beam	Flux (lm)	Efficacy (lm/W)	Beam Angle	CBCP	CRI	R9	IES TM-30-18			UGR
								R _r	R _g	R _{cs,ht}	
1000 lm	Narrow (N)	989	115	36°	2510	90+	50+	91	100	-5%	0
	Medium (M)	1011	116	57°	1183	90+	50+	91	100	-5%	0
	Wide (W)	942	108	76°	641	90+	50+	91	100	-5%	0
1500 lm	Narrow (N)	1522	119	36°	3863	90+	50+	91	100	-5%	1
	Medium (M)	1530	117	57°	1790	90+	50+	91	100	-5%	1
	Wide (W)	1420	109	76°	965	90+	50+	91	100	-5%	1
2000 lm	Narrow (N)	2075	119	36°	5265	90+	50+	91	100	-5%	2
	Medium (M)	2070	116	57°	2422	90+	50+	91	100	-5%	2
	Wide (W)	1918	107	76°	1304	90+	50+	91	100	-5%	2
2500 lm	Narrow (N)	2511	115	36°	6372	90+	50+	91	100	-5%	3
	Medium (M)	2526	119	57°	2954	90+	50+	91	100	-5%	3
	Wide (W)	2377	112	76°	1616	90+	50+	91	100	-5%	3
3000 lm	Narrow (N)	2927	115	36°	7428	90+	50+	91	100	-5%	4
	Medium (M)	3051	116	57°	3568	90+	50+	91	100	-5%	4
	Wide (W)	2834	107	76°	1926	90+	50+	91	100	-5%	4
3500 lm	Narrow (N)	3333	117	36°	8457	90+	50+	91	100	-5%	4
	Medium (M)	3414	116	57°	3993	90+	50+	91	100	-5%	4
	Wide (W)	3145	107	76°	2138	90+	50+	91	100	-5%	4
4800 lm	Narrow (N)	4491	111	36°	11397	90+	50+	91	100	-5%	5
	Medium (M)	4874	116	57°	5701	90+	50+	91	100	-5%	6
	Wide (W)	4500	107	76°	3059	90+	50+	91	100	-5%	5
6000 lm	Narrow (N)	5529	104	36°	14031	90+	50+	91	100	-5%	6
	Medium (M)	6090	112	57°	7123	90+	50+	91	100	-5%	6
	Wide (W)	5628	103	76°	3825	90+	50+	91	100	-5%	6

- BAA and compliance requires that BAC option be selected for each of frame, engine, and trim. BABA compliance requires that BABAF option be selected for each of frame, engine, and trim. Frame, engine and trim will be shipped together as a single product. Accessories (optional) are not currently BAA- or BABA-compliant.
- Failure to properly select the "BAC" suffix could result in you receiving product that is not BAA compliant product with no recourse for an RMA or refund. This BAC designation hereunder does not address (i) the applicability of, or availability of a waiver under, the Trade Agreements Act, or (ii) the "Buy America" domestic content requirements imposed on states, localities, and other non-federal entities as a condition of receiving funds administered by the Department of Transportation or other federal agencies. Genlyte's products with a BAC option code designation are manufactured in the US and utilize a BAA COTS exemption rule for compliance. "BABAF" designates the product will meet the standards set by FHWA for BABA and FTA for Buy America. As noted, for FHWA BABA compliance, applicable projects must be funded by October 1, 2026.



AccuRender Technology (CRI 90+)

The right light brings colors to life. Our new AccuRender technology helps ensure colors are rendered more accurately and consistently, while doing so as efficiently as CRI 80 products.



Standard CRI 80
Good color rendering and high efficacy



Standard CRI 90
Better color rendering and low efficacy



AccuRender
Best color rendering, color preference and high efficacy

Enjoy design flexibility

Full range of products and options:

- Available soon in across Lightolier portfolio for application flexibility
- Multiple color temperatures (CCTs) and lumen packages offered

Promote savings

High efficacy, with no penalty:

- Energy efficacy compares well to conventional 80 CRI
- Up to 25% more energy savings vs competitor 90 CRI¹
- Helps meet Title 24 requirements

Show your true colors

High color rendering:

- True to life colors that help energize your environment and render better flesh tones critical for healthcare hospitality and retail applications.
- R_a up to 94 CRI
- R_g up to 67 CRI
- G_a up to 99 CRI
- C_g up to 94 CRI
- R_r up to 92 TM-30
- R_{g,ht} up to 91 TM-30
- R_g up to 100 TM-30
- R_{cs,ht} up to -5% TM-30

Achieve color balance

Best in class color consistency:

- Promote aesthetic harmony in your space with ≤ 2 SDCM

C6RDL Calculite LED 6" gen 3

Round Downlight

Frame-in-kits

New Construction:

Galvanized stamped steel for dry or plaster ceilings. Preinstalled telescoping mounting bars from 13" to 24". For 4' distances, use 1/2" EMT, 1-1/2" x 1/2" U or C channel.

Max ceiling thickness is 2.75" (70 mm) plenum depth for installation.

Patented install Mounting frame:

- Pre-installed mounting bars for fast and tool-less installs into T-grid & hat channel ceilings.
- Close-cut aperture design eliminates possibility of gap between ceiling opening and reflector flange.
- Separate wiring compartment for wiring frame to building allows inspection prior to light engine install.
- Simple plug-and-play connection between frame and light engine from below ceiling.

Retrofit

- Easily updates legacy Calculite downlights to the latest LED technology. Includes light engine, trim, and driver mounted on cover plate that mounts to junction box of previous Calculite generations. Order with R option code at end of light engine catalog number (see details on page 7).

Compatibility:

Frames	Engines
With CFL S6132_series	Use Retrofit configuration C6R_ Trim + C6L_ Engine
With INC BS600_series	Use Retrofit configuration C6R_ Trim + C6L_ Engine
With LED C6L_N series C6X6L_N series P6RD_N_series	Use Retrofit configuration C4R_ Trim + C6L_ Engine C6S_ Trim + C6L_ Engine C6R_ Trim + C6L_ Engine

* Not available for retrofitting luminaires with integral emergency battery.

Emergency

Bodine BSL6 6W battery pack with self-test/diagnostic functionality. Factory or field mounted to frame.

- For trim with integral emergency test switch, order trim with IEM6 option (ex: C6RDLCCIEM6).
- For remote ceiling mounted test switch, order standard trim (ex: C6RDLCC). Optional accessory ceiling mounting plate available (CAEM6TSCP) for remote mounted test switch.
- Refer to Calculite-LyteProfile-EasyLyte Emergency Battery Pack specification sheet for more details.

Dimming

All configurations are FCC Class A unless otherwise specified.

- Advance 0-10V 1% (Z10), logarithmic curve is standard. Specify D2O for factory-set dim-to-off function, consult factory for linear dimming curve.
- EldoLED SOLOdrive (SOL) 0-10v 0.1%
- Lutron PEQ0 (L) Hi-Lume Premier 0.1% EcoSystem
- Lutron LDE1 (L01) EcoSystem 1%
- Electronic low voltage (E) - forward or reverse phase dimming, Remodel and AirSeal IC Shallow are FCC Class B
- DALI (D) - DT6 DALI 0.1%
- DMX (DMX) - Digital Multiplexing with RDM 0.1%

Dimming Options

The following are factory-set options for the SOL, D, and DMX driver options (ex. DMXLIN):

- SOL/D/DMX: Logarithmic (-) standard
- SOL/D/DMX: Linear (LIN)
- SOL/DMX: Square (SQR)
- Dim to Warm (D2W): option changes CCT from 3000-1800K gradually as it dims. Use with Z10 dimming only. Fixture-to-fixture consistency of $\leq 3\text{SDCM}$ at 2700K & 3000K, and $\leq 5\text{SDCM}$ at 1800K.

Optical systems

Comfort throughout the space:

True 50° physical cutoff and 45° reflected cutoff.

Quality of light:

2 SDCM ensures color consistency from fixture to fixture and over the luminaire's long lifetime.

MesoOptics PET optical diffusion film:

Provides a smooth beam shape and mitigates color over angle with optimized luminaire efficiency. Mitigates LED pixilation.

Light Engine

Quick connect power pack allow for easy installation and replacement from below ceiling with no need for additional wiring. This allows for:

- Frame and ceiling installation to be performed while still finalizing details such as lumen packages, CCT and control type.
- Easy replacement of electronics at end of life with minimal wasted material and labor required.
- Ease and upgradability of technology.
- 347V light engines are Z10 dimming only and include dedicated 347V driver. For 347V non-Z10 dimming, order T347-75VA field-installed step-down transformer accessory.

Options and Accessories

Flangeless mud-in ring: Use CA6RFT for use with flangeless plaster installations.

Sloped ceilings: Compatible with sloped ceiling adapters (see SCA spec sheet).

C6RVPWH: includes machined aluminum ring painted white, gasketed for IP65 protection, and impact resistant polycarbonate lens (IK10). Locks in place with discrete setscrew (key included). Available also with antimicrobial finish (C6RVPWHAMF).

CAEM6TSCP: Ceiling cover plate for remote mounted EM6 test switch. 1/2" (25mm) hole, 4 3/8" (109mm) x 2 3/4" (69mm) rectangular. Includes two mounting screws.

Field install EM6 kit with Bodine BSL6 6W battery pack with self-test/self-diagnostic: Includes remote ceiling plate for test switch. To mount test switch to trim for new construction frame, order trim with IEM6 option code (e.g. C6RDLCCIEM6). Refer to Calculite-LyteProfile-EasyLyte Emergency Battery Pack specification sheet for more details.

CAEM6: For use with UniFrame frame in kits.

LCEM6: For use with Flex intall (F) light engines.

SWCS: Interact Ready System Bridge Accessory. Requires IRT9015 IR remote and Interact Pro App for commissioning.

T347-75VA: Field installable 347:120V 75VA step-down transformer, attaches to knock out on frame junction box, for use with non-IC (N) frames. Not for use with emergency options.

Title 24 exceptions

- 1000lm configurations
- Champagne Bronze & Black finishes

Labels and Listings

- cULus listed for wet locations
- RoHS certified
- CEC Title 24 JA8 certified
- CCEA (frames with *LC suffix)
- IP65 rated with vandal proof accessory
- Red List Declare label certified, ID SIG-0017 ([View full Declare label](#))

Warranty



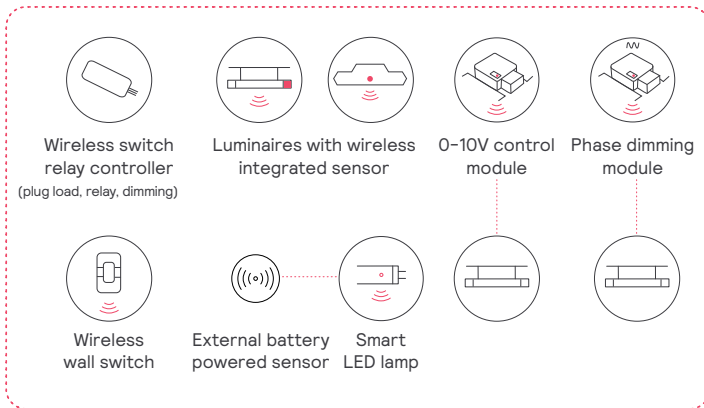
5 year limited warranty
Visit Signify.com/warranties for more information on Signify's standard 5-year limited warranty on complete luminaire systems.

C6RDL Calculite LED 6" gen 3

Round Downlight

Signify
interact

Easy. Effective. Smart.



Meet Interact

A smart, wireless luminaire level lighting control system (LLLC). A complete solution that combines modern and intuitive technologies for easy installation and specification.

- Works with or without gateway
- **No** IT
- **No** light point restrictions
- **Up to 75%** out of the box savings
- **Fast & easy**
- **Code & rebates** compliant

Capabilities



Luminaire integrated occupancy and daylight sensing



BMS integration



Human-centric lighting



Connectivity & insights



Full Automation*



Security

*Grouping, zoning, dimming, high-end trimming, scenes, scheduling, manual controls

Benefits



Up to **80%** installation savings¹

Compared to installation costs of wired systems



Up to **5 min** faster setup time²

Compared to similar wireless systems



Less than **2 year** payback

Implement deep energy-saving strategies and claim utility rebates



1.8x more energy savings

Compared to conventional control systems

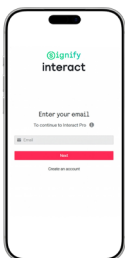


Up to **2x** utility rebates

Network Interact ready devices and get more utility rebates³

1. Versus legacy systems based on installer interviews
2. Based on installer analysis done by Signify for a typical multi-zone space
3. Utility programs across US

Just lights and an App



1. Install the Interact ready fixtures with embedded smart sensor
2. Install the wireless wall switch
3. Configure your setup with the Interact App
4. Leverage the IRT9015 remote accessory to accelerate your setup process
5. Optionally add a gateway for insights and management

Learn more about Interact:

Interact includes an app, a web portal, and a comprehensive range of Interact ready wireless luminaires, lamps, retrofit kits, and control devices like switches and sensors that operate within the same system.



C6RDL Calculite LED 6" gen 3

Round Downlight

Controls Options*

Interact radio node for Standalone, Gateway & Gateway + IoT tiers (RA)

- RA sensor option is a connected radio node supporting wireless mesh connectivity.
- Compatible with standalone and gateway modes of Interact.

Interact occupancy & daylight sensor for Standalone, Gateway & Gateway + IoT tiers (CS)

- The CS sensor option is a connected sensor with built-in occupancy and daylight detection, along with wireless mesh connectivity.
- Compatible with standalone and gateway modes of Interact.

Interact advanced sensor bundle for Gateway + IoT tier (SB)

- SB sensor option offers occupancy and daylight sensing and supports advanced IoT capabilities, such as desk-level temperature and humidity monitoring, noise classification, and Bluetooth Low Energy (BLE) beacon functionality.
- Setup requires a compatible gateway and internet connectivity.
- With compatible gateway and software analytics, SB sensor option enables greater building efficiency, seamless system integration, and optimized space utilization through occupancy and environmental insights.

Interact for intelligent buildings sensor option codes across Genlyte product lines*

	Sensor part #	Daybrite	Ledalite	Lightolier
Zigbee + Bluetooth	SC100B	RADIO	RA	RA
Zigbee + Bluetooth + Sensing	SC200B	SWZCS	CS	SBA or SWCS accessory
Zigbee + Bluetooth + Sensing + Environmental data	SC1500	IAOSB	SB	SBA or SWCS accessory
Zigbee + Highbay + Bluetooth + Sensing	SNH210 IA	SWZCSH	-	-

C6RDL Calculite LED 6" gen 3

Round Downlight

Polished Reflectors



Specular clear (CL): Most specular and most efficient finish, delivers maximum photometric performance but can produce a mirror image effect of the interior space.



Champagne bronze (CZ): Semi-specular finish that softens light at the source of the reflector while providing a warmer reflector appearance (slightly warmer).



Comfort clear (CC): Semi-specular finish that softens the light at the source of the reflector and creates a subtle, even luminance from the reflector cone.



White (WH): (matte) Brightest illuminated aperture and provides the smoothest transition to most ceilings when off (white is only available with a white flange).



Comfort clear diffuse (CD): Slightly diffuse clear finish, that eliminates iridescence and reduces the mirror image effect inherent with specular finishes.



Black (BK): (anodized) Specular finish that provides the lowest aperture brightness possible and significantly reduces source identification in a ceiling.



Vandal proof (VP): Provides an elegant solution for vandal resistant needs. One piece machined aluminum ring with impact resistant clear lens. Flangeless (F) flange must be ordered. Provides the luminaire with an IK10 impact and IP65 rating.



Shower light (SL): Wet location rated shower light with clear acrylic lens applicable in any installation requiring dead front trims, interior or exterior non-corrosive applications, or where a diffused lens at the ceiling is required (non-conductive).

Flanges



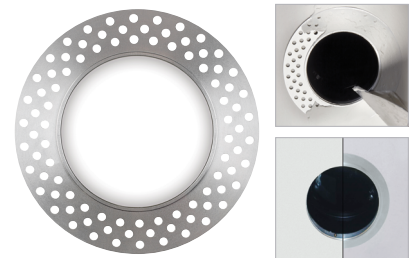
White (-): (matte) Provides the smoothest transition to ceilings when off.



Polished (P): (matches aperture) Produces a continuous look throughout the reflector (aperture matching).



Flangeless (F): (flush-mount) Creates a flush, virtually seamless transition from aperture to ceiling.

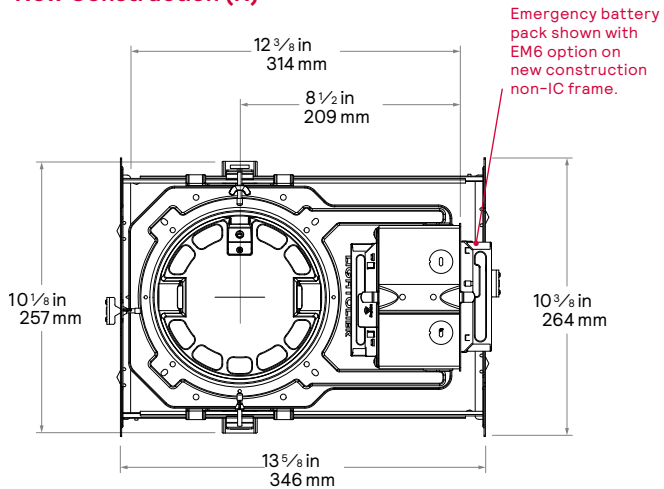


Mud-in ring (FT): Low profile, machined aluminum mud-in ring provides a raised rib to plaster up to and a 3/16" flange thickness. The ring is attached to the ceiling material as opposed to the frame-in kit to avoid conduction of heat and vibration which can cause yellowing or cracking of the plaster.

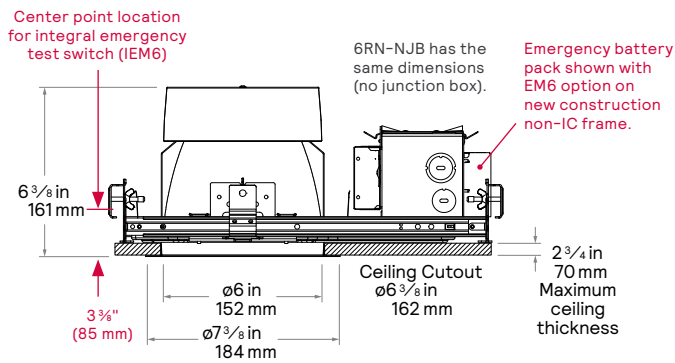
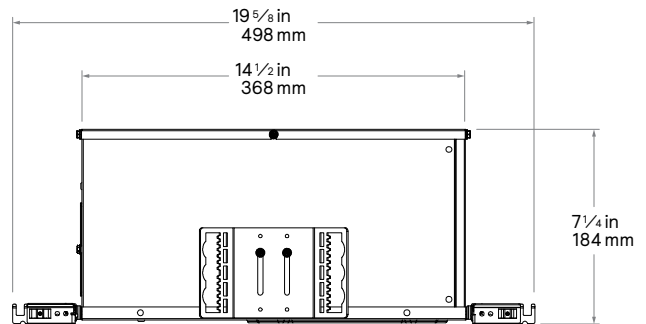
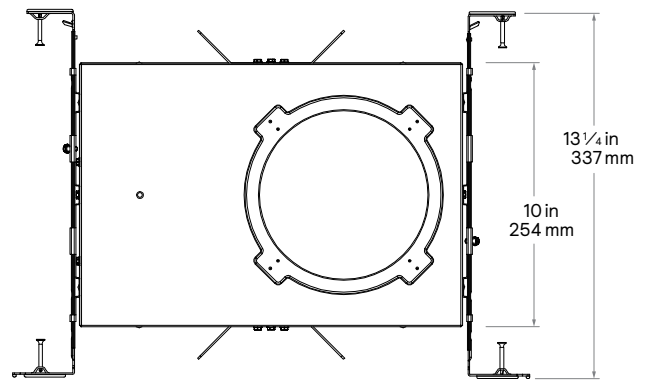
C6RDL Calculite LED 6" gen 3

Round Downlight

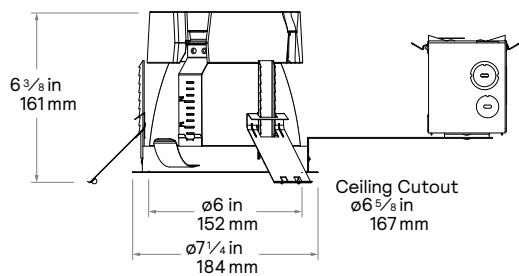
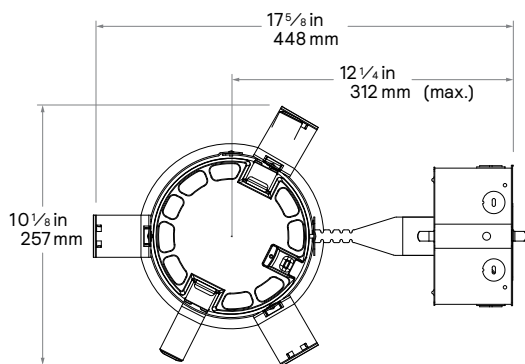
New Construction (N)



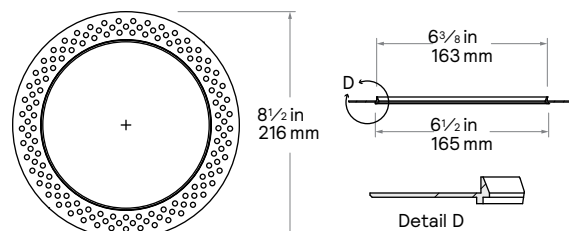
Chicago Plenum (LC)



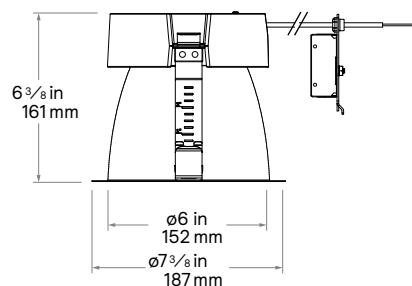
Remodeler (R)



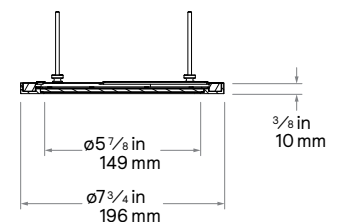
Flangeless mud-in ring (CA6RFT) accessory



Retrofit (R) with round trim



Vandal Proof (VP) accessory

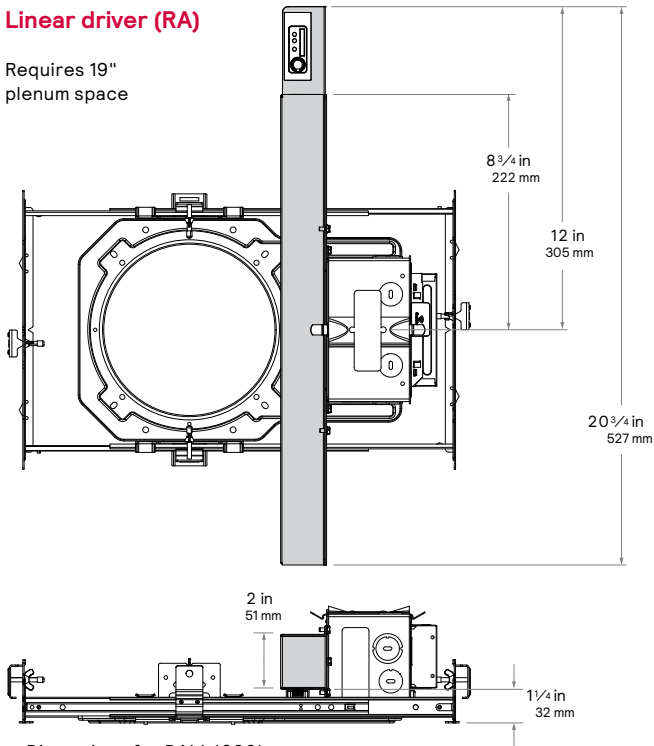


C6RDL Calculite LED 6" gen 3

Round Downlight

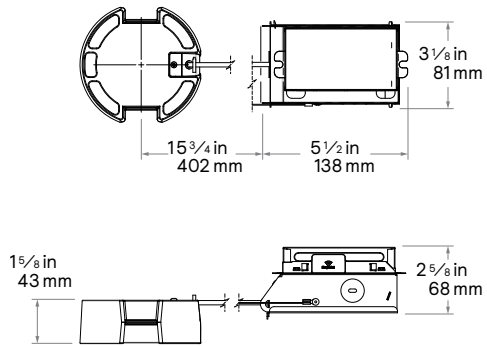
Linear driver (RA)

Requires 19" plenum space

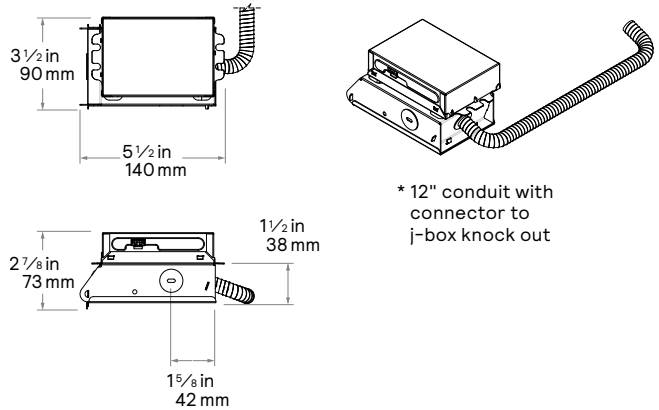


Dimensions for DALI 4800lm & 6000lm, & RA light engines.
Sensor shown for RA light engine only.

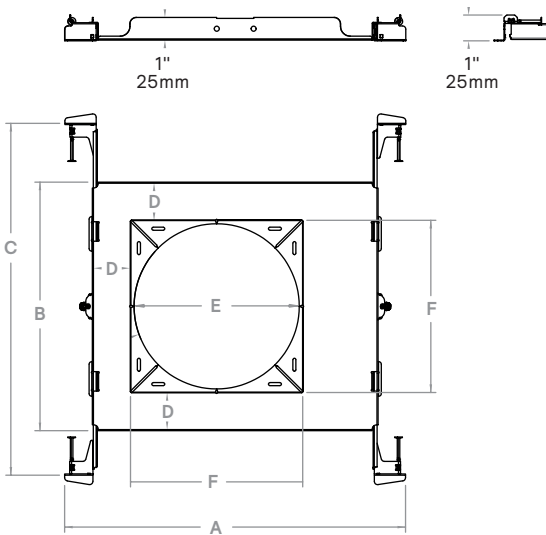
Flex Install (F)



LCEM6 Flex install (F) engine only



6RNSR Flex install non-IC frame



A	B	C	D	E	F
13 1/4"	9 5/8"	13 5/8"	1 1/2"	6 3/8"	5 5/8"
334mm	244mm	345mm	37mm	162mm	169mm

C6RDL Calculite LED 6" gen 3

Round Downlight

Electrical - Narrow

Light engine	Input Volts	Input Freq.	Input Current	Drive Current	Input Power	LED Power	THD Factor @ Max Load	Power Factor
1000lm	120V	50/60Hz	0.072A	0.22A	8.6W	7.0W	<10%	>0.9
	277V	50/60Hz	0.032A	0.22A	8.8W	7.0W	<20%	>0.9
	347V	50/60Hz	0.029A	0.22A	10.0W	7.0W	<30%	>0.9
1500lm	120V	50/60Hz	0.107A	0.33A	12.8W	10.7W	<10%	>0.9
	277V	50/60Hz	0.046A	0.33A	12.9W	10.7W	<10%	>0.9
	347V	50/60Hz	0.042A	0.33A	14.6W	10.7W	<25%	>0.9
2000lm	120V	50/60Hz	0.145A	0.45A	17.4W	14.7W	<10%	>0.9
	277V	50/60Hz	0.063A	0.45A	17.5W	14.7W	<10%	>0.9
	347V	50/60Hz	0.056A	0.45A	19.4W	14.7W	<20%	>0.9
2500lm	120V	50/60Hz	0.178A	0.55A	21.4W	18.2W	<10%	>0.9
	277V	50/60Hz	0.078A	0.55A	21.5W	18.2W	<10%	>0.9
	347V	50/60Hz	0.065A	0.55A	22.7W	18.2W	<20%	>0.9
3000lm	120V	50/60Hz	0.212A	0.65A	25.5W	21.7W	<10%	>0.9
	277V	50/60Hz	0.091A	0.65A	25.3W	21.7W	<10%	>0.9
	347V	50/60Hz	0.077A	0.65A	26.7W	21.7W	<15%	>0.9
3500lm	120V	50/60Hz	0.237A	0.75A	28.4W	24.4W	<10%	>0.9
	277V	50/60Hz	0.103A	0.75A	28.4W	24.4W	<10%	>0.9
	347V	50/60Hz	0.084A	0.75A	29.1W	24.4W	<15%	>0.9
4800lm	120V	50/60Hz	0.338A	1.05A	40.5W	34.9W	<10%	>0.9
	277V	50/60Hz	0.145A	1.05A	40.3W	34.9W	<10%	>0.9
	347V	50/60Hz	0.118A	1.05A	41.0W	34.9W	<10%	>0.9
6000lm	120V	50/60Hz	0.442A	1.35A	53.0W	45.6W	<10%	>0.9
	277V	50/60Hz	0.188A	1.35A	52.1W	45.6W	<10%	>0.9
	347V	50/60Hz	0.153A	1.35A	53.0W	45.6W	<10%	>0.9

Electrical - Medium & Wide

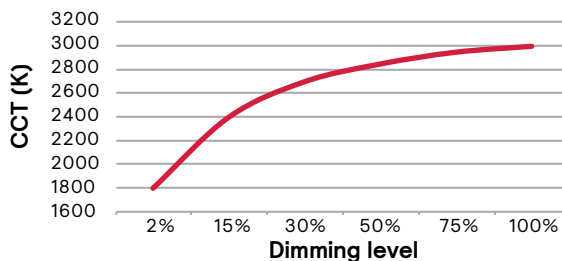
Light engine	Input Volts	Input Freq.	Input Current	Drive Current	Input Power	LED Power	THD Factor @ Max Load	Power Factor
1000lm	120V	50/60Hz	0.073A	0.22A	8.7W	7.1W	<10%	>0.9
	277V	50/60Hz	0.032A	0.22A	8.9W	7.1W	<20%	>0.9
	347V	50/60Hz	0.029A	0.22A	10.2W	7.1W	<30%	>0.9
1500lm	120V	50/60Hz	0.109A	0.33A	13.0W	10.9W	<10%	>0.9
	277V	50/60Hz	0.047A	0.33A	13.1W	10.9W	<10%	>0.9
	347V	50/60Hz	0.043A	0.33A	14.9W	10.9W	<25%	>0.9
2000lm	120V	50/60Hz	0.149A	0.45A	17.8W	15.1W	<10%	>0.9
	277V	50/60Hz	0.065A	0.45A	18.0W	15.1W	<10%	>0.9
	347V	50/60Hz	0.057A	0.45A	19.8W	15.1W	<20%	>0.9
2500lm	120V	50/60Hz	0.179A	0.55A	21.4W	18.2W	<10%	>0.9
	277V	50/60Hz	0.078A	0.55A	21.6W	18.2W	<10%	>0.9
	347V	50/60Hz	0.066A	0.55A	22.8W	18.2W	<20%	>0.9
3000lm	120V	50/60Hz	0.220A	0.67A	26.4W	22.4W	<10%	>0.9
	277V	50/60Hz	0.095A	0.67A	26.2W	22.4W	<10%	>0.9
	347V	50/60Hz	0.079A	0.67A	27.5W	22.4W	<15%	>0.9
3500lm	120V	50/60Hz	0.245A	0.75A	29.4W	25.3W	<10%	>0.9
	277V	50/60Hz	0.106A	0.75A	29.4W	25.3W	<10%	>0.9
	347V	50/60Hz	0.087A	0.75A	30.1W	25.3W	<15%	>0.9
4800lm	120V	50/60Hz	0.350A	1.08A	42.0W	36.1W	<10%	>0.9
	277V	50/60Hz	0.150A	1.08A	41.5W	36.1W	<10%	>0.9
	347V	50/60Hz	0.122A	1.08A	42.5W	36.1W	<10%	>0.9
6000lm	120V	50/60Hz	0.454A	1.38A	54.5W	46.8W	<10%	>0.9
	277V	50/60Hz	0.193A	1.38A	53.5W	46.8W	<10%	>0.9
	347V	50/60Hz	0.157A	1.38A	54.5W	46.8W	<10%	>0.9

Lifetime (TM-21) data

Lumens	Narrow beam	Medium/Wide beam
1000lm	L90 @ 60,000hrs.	L90 @ 60,000hrs.
1500lm		
2000lm		
2500lm		
3500lm*		
4800lm	L80 @ 60,000hrs.	
6000lm		

* Lutron 3500lm with Medium/Wide beam is L85 @ 60,000hrs.

Dim-to-Warm: CCT vs Dimmed level



Marked spacing applications

Light engine	4800lm	6000lm
C6L_Z10 series	X	X
C6L_L01 series	X	X
C6L_L1 series	X	X
C6L_LD series	X	X

Light engine	4800lm	6000lm
C6L_LTE series	X	X
C6L_D series	X	X
C6L_DMx series	X	X
C6L_RA series	X	X

Modules marked with an X require marked spacing:

- Center-to-center of adjacent luminaires: 24" (610mm)
- Luminaire center to side building member: 12" (305mm)

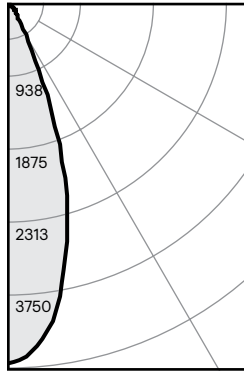
In accordance with CAN ICES-005-A/ NEB-005-A and FCC Part 15-A.

C6RDL Calculite LED 6" gen 3

Round Downlight

Narrow beam, 2500lm Engine, 115lm/W at 22W

Candela Curve



6RN / C6L25935NZ10U / C6RDLCL

Output lumens: 2512 lms
 Input watts: 21.8 W
 CRI: 90 min
 CCT¹: 3500K
 Spacing Crit.: 0.6
 Beam Angle: 36°

Zonal summary

Zone	Lumens	%Luminaire
0-30	2231	88.8%
0-40	2423	96.5%
0-60	2510	99.9%
0-90	2512	100.0%

Angle	Mean CP	Lumens
0	6372	
5	6006	
10	4997	540
15	3915	
20	2643	1066
25	1335	
30	514	625
35	286	
40	222	192
45	107	
50	12	83
55	4	
60	2	4
65	1	
70	1	1
75	1	0
80	0	0
85	0	0
90	0	0

Single unit data

Height to lighted plane	Initial center beam foot-candles	Beam diameter (ft)*
8'	100	4.8'
9'	79	5.4'
10'	64	6.0'
12'	44	6.6'
14'	33	8.4'

* Beam diameter is where foot-candles drop to 50% of maximum.

Multiple unit data - RCR 2

Spacing on center	Initial center beam foot-candles	Watts per sq. ft.
5'	118.0	0.97
6'	77.0	0.63
7'	55.0	0.45
8'	46.0	0.38
9'	37.0	0.30

38' x 38' x 10' Room, Workplane 2.5' above floor, 80/50/20% Reflectances

Efficacy: 115.2lm/W
 Report²: STMR-1590.2

Adjustment factors

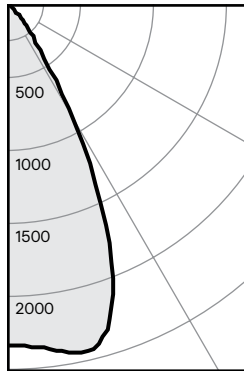
Finish	CCT	Lumens
CL = 100%	90CRI, 4000K = 102%	6000lm = 240%
CC = 95%	90CRI, 3500K = 100%	4800lm = 192%
CD = 87%	90CRI, 3000K = 96%	3500lm = 140%
CZ = 63%	90CRI, 2700K = 92%	3000lm = 120%
WH = 87%		2500lm = 100%
BK = 57%		2000lm = 80%
		1500lm = 60%
		1000lm = 40%

Coefficients of utilization

Ceiling	80%		70%		50%		30%		0%			
	70	50	30	10	50	10	50	10	50	10		
Wall	70	50	30	10	50	10	50	10	50	10		
RCR	Zonal cavity method - Effective floor reflectance = 20%											
Room Cavity Ratio	0	119	119	119	119	116	116	111	111	106	106	100
	1	114	112	110	108	110	106	106	103	102	100	95
	2	110	106	102	100	104	99	101	96	98	94	91
	3	106	100	96	93	99	92	96	91	94	89	87
	4	102	95	91	87	94	87	92	86	90	85	83
	5	98	91	86	83	90	82	88	82	87	81	79
	6	94	87	82	78	86	78	85	78	83	77	75
	7	91	83	78	75	82	75	81	74	80	74	72
	8	87	80	75	71	79	71	78	71	77	71	69
	9	84	76	72	68	76	68	75	68	74	68	67
	10	81	74	69	66	73	66	72	65	72	65	64

Medium beam, 2500lm Engine, 119lm/W at 21W

Candela Curve



6RN / C6L25935MZ10U / C6RDLCL

Output lumens: 2527 lms
 Input watts: 21.3 W
 CRI: 90 min
 CCT¹: 3500K
 Spacing Crit.: 0.96
 Beam Angle: 56°

Zonal summary

Zone	Lumens	%Luminaire
0-30	1994	78.9%
0-40	2410	95.4%
0-60	2524	99.9%
0-90	2527	100.0%

Angle	Mean CP	Lumens
0	2954	
5	2968	
10	2965	283
15	2929	
20	2620	811
25	2022	
30	1240	900
35	628	
40	322	416
45	137	
50	15	110
55	4	
60	2	4
65	1	
70	1	1
75	0	0
80	0	0
85	0	0
90	0	0

Single unit data

Height to lighted plane	Initial center beam foot-candles	Beam diameter (ft)*
5'	118	4.8'
6'	82	5.8'
7'	60	6.7'
8'	46	7.7'
9'	36	8.6'

* Beam diameter is where foot-candles drop to 50% of maximum.

Multiple unit data - RCR 2

Spacing on center	Initial center beam foot-candles	Watts per sq. ft.
5'	116.0	0.94
6'	76.0	0.62
7'	54.0	0.44
8'	45.0	0.37
9'	36.0	0.30

38' x 38' x 10' Room, Workplane 2.5' above floor, 80/50/20% Reflectances

Efficacy: 118.6lm/W
 Report²: STMR-2437

Adjustment factors

Finish	CCT	Lumens
CL = 100%	90CRI, 4000K = 102%	6000lm = 240%
CC = 95%	90CRI, 3500K = 100%	4800lm = 192%
CD = 87%	90CRI, 3000K = 96%	3500lm = 140%
CZ = 63%	90CRI, 2700K = 92%	3000lm = 120%
WH = 87%		2500lm = 100%
BK = 57%		2000lm = 80%
		1500lm = 60%
		1000lm = 40%

Coefficients of utilization

Ceiling	80%		70%		50%		30%		0%			
	70	50	30	10	50	10	50	10	50	10		
Wall	70	50	30	10	50	10	50	10	50	10		
RCR	Zonal cavity method - Effective floor reflectance = 20%											
Room Cavity Ratio	0	119	119	119	119	116	116	111	111	106	106	100
	1	114	111	109	107	109	105	105	102	101	99	94
	2	109	104	100	97	102	96	99	94	96	92	88
	3	103	97	93	89	96	88	93	87	91	85	83
	4	99	91	86	82	90	82	88	81	86	80	77
	5	94	86	81	76	85	76	83	75	82	75	73
	6	90	81	75	71	80	71	79	71	77	70	68
	7	85	77	71	67	76	67	75	66	73	66	64
	8	81	72	67	63	72	63	71	62	70	62	61
	9	78	69	63	59	68	59	67	59	66	59	57
	10	74	65	60	56	65	56	64	56	63	56	54

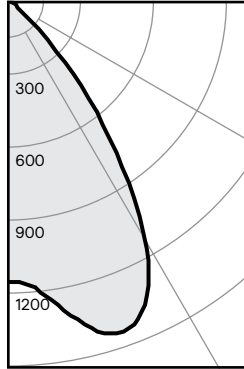
1. Correlated Color Temperature within specs as defined in ANSI_NEMA_ANSI C78.377-2008: Specifications for the Chromaticity of Solid State Lighting Products.
 2. Tested using absolute photometry as specified in LM79: IESNA Approved Method for the Electrical and Photometric Measurements of Solid-State Lighting Products.

C6RDL Calculite LED 6" gen 3

Round Downlight

Wide beam, 2500lm Engine, 112lm/W at 21W

Candela Curve



6RN / C6L25935WZ10U / C6RDLCL

Output lumens: 2378 lms
 Input watts: 21.3 W
 CRI: 90 min
 CCT¹: 3500K
 Spacing Crit.: 1.3
 Beam Angle: 76°

Zonal summary

Zone	Lumens	%Luminaire
0-30	1420	59.7%
0-40	2131	89.6%
0-60	2376	99.9%
0-90	2378	100.0%

Angle	Mean CP	Lumens
0	1616	
5	1642	
10	1705	159
15	1780	
20	1762	501
25	1665	
30	1478	760
35	1160	
40	758	711
45	277	
50	25	238
55	7	
60	3	7
65	2	
70	1	2
75	1	
80	0	1
85	0	
90	0	0

Single unit data

Height to lighted plane	Initial center beam foot-candles	Beam diameter (ft)*
5'	65	6.5'
6'	45	7.8'
7'	33	9.1'
8'	25	10.4'
9'	20	11.7'

* Beam diameter is where foot-candles drop to 50% of maximum.

Multiple unit data - RCR 2

Spacing on center	Initial center beam foot-candles	Watts per sq. ft.
5'	107.0	0.94
6'	70.0	0.62
7'	50.0	0.44
8'	42.0	0.37
9'	34.0	0.30

38' x 38' x 10' Room, Workplane 2.5' above floor, 80/50/20% Reflectances

Efficacy: 111.6lm/W
 Report²: STMR-2438

Adjustment factors

Finish	CCT	Lumens
CL = 100%	90CRI, 4000K = 102%	6000lm = 240%
CC = 95%	90CRI, 3500K = 100%	4800lm = 192%
CD = 87%	90CRI, 3000K = 96%	3500lm = 140%
CZ = 63%	90CRI, 2700K = 92%	3000lm = 120%
WH = 87%		2500lm = 100%
BK = 57%		2000lm = 80%
		1500lm = 60%
		1000lm = 40%

Coefficients of utilization

Ceiling	80%		70%		50%		30%		0%		
	70	50	30	10	50	10	50	10	50	10	
Wall	70	50	30	10	50	10	50	10	50	10	
RCR	Zonal cavity method - Effective floor reflectance = 20%										
Room Cavity Ratio	0	119	119	119	116	116	111	111	106	106	100
	1	113	110	108	105	108	104	104	100	100	97
	2	107	102	98	94	100	93	97	91	94	89
	3	101	94	89	85	93	84	90	83	88	81
	4	95	87	81	77	86	76	84	75	82	75
	5	90	81	75	70	80	70	78	69	76	69
	6	85	75	69	64	74	64	73	64	71	63
	7	80	70	64	59	69	59	68	59	67	58
	8	76	65	59	54	65	54	64	54	63	54
	9	72	61	55	50	61	50	60	50	59	50
	10	68	57	51	47	57	47	56	47	55	46

1. Correlated Color Temperature within specs as defined in ANSI_NEMA_ANSI C78.377-2008: Specifications for the Chromaticity of Solid State Lighting Products.
 2. Tested using absolute photometry as specified in LM79: IESNA Approved Method for the Electrical and Photometric Measurements of Solid-State Lighting Products.