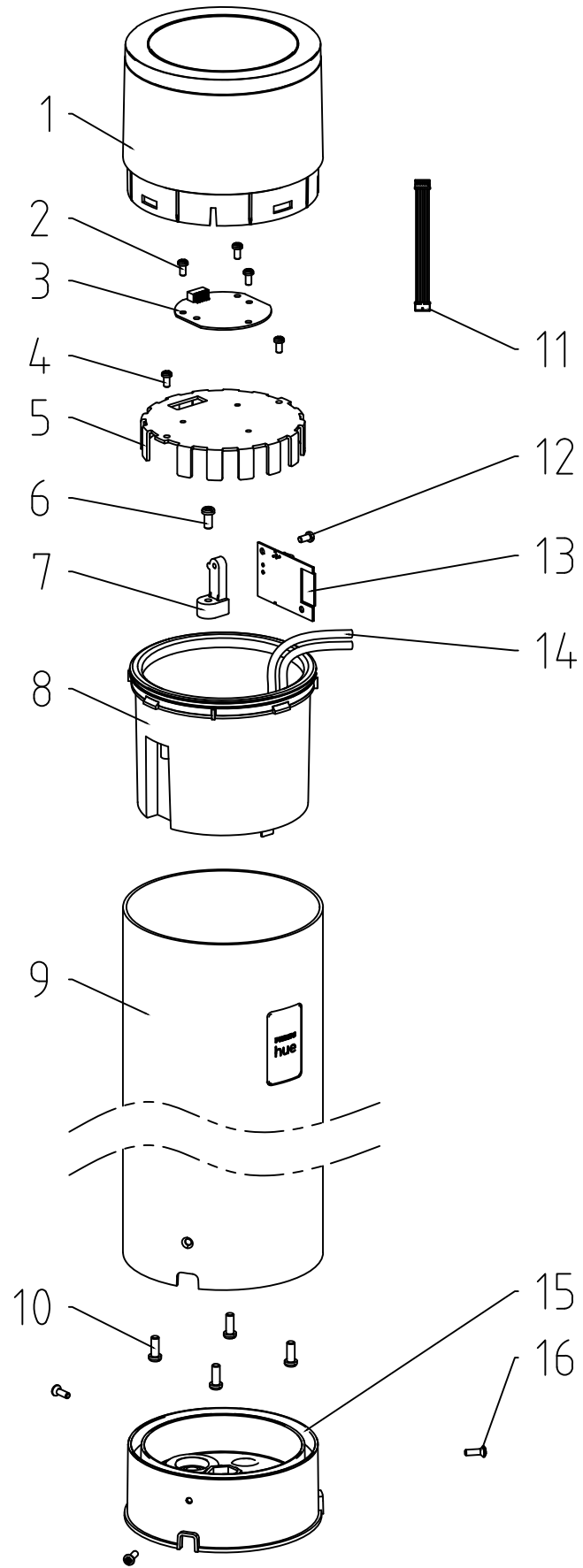


PHILIPS
hue



#	COMPONENT	QTY
1	DIFFUSER	1
2	SCREW	3
3	LIGHT SOURCE - LED MODULE	1
4	SCREW	2
5	HEAT SINK	1
6	SCREW	1
7	BRACKET	1
8	BOX	1
9	TUBE	1
10	SCREW	4
11	FLAT CABLE	1
12	SCREW	1
13	LIGHT SOURCE - HUE CONNECT	1
14	CABLE	1
15	BASE	1
16	SCREW	3

SKU	Color	Country
915005731801	BLACK	EU
915005630201	BLACK	NAM
915005630301	BLACK	EU

Warnings

Always make sure the luminaire is detached from the mains socket
 Always make sure the DC cable is detached from the power supply
 Staring at the operating light source may cause eye injury

#	Disassemble/dismantle steps	Tools needed
a	REMOVE BASE (15) BY UNSCREWING THE SCREWS (16)	CROSS HEAD SCREW DRIVER
b	REMOVE THE TUBE (9) BY UNSCREWING THE SCREWS (10)	CROSS HEAD SCREW DRIVER
c	REMOVE THE DIFFUSER (1)	FLAT HEAD SCREW DRIVER
d	REMOVE FLAT CABLE (11) FROM THE LIGHT SOURCE - LED MODULE (3)	-
e	REMOVE LIGHT SOURCE - LED MODULE (3) BY UNSCREWING THE SCREWS (2)	CROSS HEAD SCREW DRIVER
f	REMOVE HEAT SINK (5) BY UNSCREWING THE SCREWS (4)	CROSS HEAD SCREW DRIVER
g	UNSCREW THE SCREW (6)	CROSS HEAD SCREW DRIVER
h	REMOVE WIRES OF THE CABLE (14) FROM LIGHT SOURCE - HUE CONNECT (13)	FLATHEAD SCREWDRIIVER OR WAGO TOOL #2065
i	REMOVE THE LIGHT SOURCE - HUE CONNECT (13) FROM THE BRACKET (7) BY UNSCREWING THE SCREW (12)	CROSS HEAD SCREW DRIVER

STATUS	DESCRIPTION	DESIGN ID
2021-04-12	Calla Large Hue ext. pedestal black 1x8 Calla Hue ext. pedestal LED black 1x8W Calla Hue ext. pedestal Black 1x8W 24V	DOC 12NC
NAME JZ	LOCAL PART ID	SH. 1
CHECKED	DATE	SH.
		A3-P