

Ordering guide

Example: HFP410 P4 A N

Product Code	Post Diameter	Finish	Arm Accessory
HFP410	P4		N
HFP410 Single	P4 4" Post Mount	A Black B White G Verde H Bronze J Green	N None

Project: _____

Location: _____

Cat.No: _____

Type: _____

Lamps: _____ Qty: _____

Notes: _____

Specifications

Housing

6063-T6 Extruded aluminum.

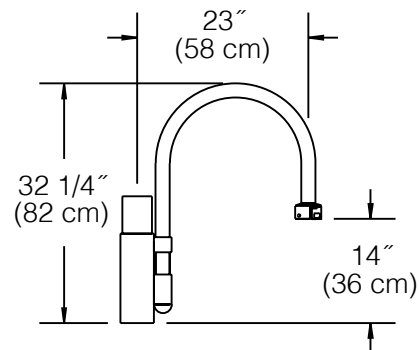
Finish

Thermoset polyester powdercoat is electrostatically applied after a five-stage conversion cleaning process and bonded by heat fusion thermosetting. Laboratory tested for superior weatherability and fade resistance in accordance with ASTM B117 specifications. For larger projects where a custom color is required, contact the factory for more information.

Warranty

Three-year limited warranty.

Height	Length	EPA
32 1/4" (82 cm)	23" (58 cm)	1.05 sq. ft.



Note

Slip fits onto 4" O.D. x 4" long tenon or post top.