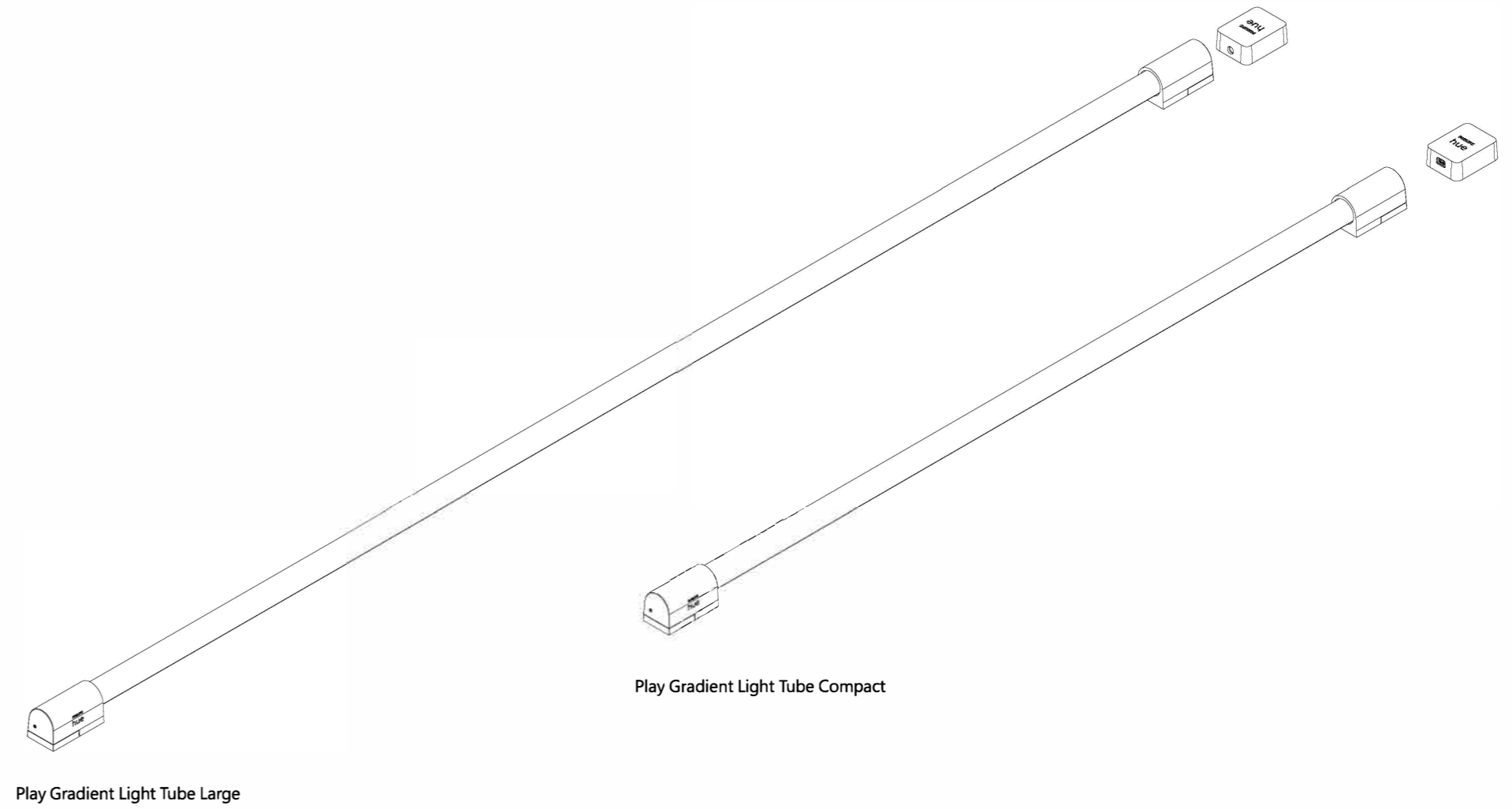


Warnings
 Always make sure the luminaire is detached from the mains socket
 Always make sure the DC cable is detached from the power supply
 Staring at the operating light source may cause eye injury

#	Disassembly Instructions	Tools needed
a	Remove the screw [3] from the base [6] and remove the foot [4]	Hex key 1.5
b	Remove the anti skid [1] from the base [6][14]. Unscrew both screws [2]. Remove the base [14] from the luminaire	Screwdriver T10
c	Pull the base [6] over de the cordset [7] and remove the screw [5]. Pull the cordset [7] out of the luminaire.	Screwdriver
d	Remove the screws [8] and remove the end cap [9]. Pull the diffuser [10] out of the tube [13]	Screwdriver T6
e	Remove the screw [11] and light source* [12] from the tube [13]	Screwdriver

#	COMPONENT	QTY	SKU	Size	Color	Country
1	Anti Skid	2	915005987901	Compact	White	EU/UK
2	Screw	2	915005988001	Compact	Black	EU/UK
3	Screw	2	915005988301	Compact	White	NAM
4	Foot	1	915005988401	Compact	Black	NAM
5	Screw	1	915005988101	Large	White	EU/UK
6	Base	1	915005988201	Large	Black	EU/UK
7	Cordset	1	915005988501	Large	White	NAM
8	Screw	1	915005988601	Large	Black	NAM
9	End Cap	1	929003103801	Large	Black	AUNZ
10	Diffuser	1				
11	Screw	1				
12	Light Source	1				
13	Tube	1				
14	Base	1				

*
 FOR LIGHT SOURCE-LED STRIP REMOVAL PLEASE REFER TO DOCUMENT
 "200604 - Instruction LED Strip Removal Procedure"



STATUS	DESCRIPTION	DESIGN ID	01	2021-06-10
Play Gradient Light Tube Disassembly Instruction		DOC 12NC	442295217869	
NAME	Ma Vr	LOCAL PART ID	SH. 1	SH. 511
CHECKED	DATE	2021-06-10		A2-L