



Calculite LED 6" generation 3 provides an excellent coupling of lighting performance, quality of light, and visual aesthetic. Industry leading visual comfort and uniform illumination make it an ideal choice for office, institution, healthcare, public, and retail applications.

Project: _____
 Location: _____
 Cat.No: _____
 Type: _____
 Lamps: _____ Qty: _____
 Notes: _____

Fixture

Example: C6SDL15935MZ10UCCW

Series	Mounts	Styles	Lumens	CRI/CCT	Beams	Dimming	Dim opts	Voltage							
C6															
C6 Calculite LED 6"	S Surface W Wall P Pendant ^{1,10}	DL Downlight WW Wall Wash ² DW Double Wall Wash ²	10 1000 15 1500 20 2000 25 2500 35 3500 48 4800 ⁶ 60 6000 ⁶	927 90CRI/2700K 930 90CRI/3000K 935 90CRI/3500K 940 90CRI/4000K 950 90CRI/5000K ³ D2W 90CRI/3000K to 1800K ⁴ (dim-to-warm)	N Narrow M Medium W Wide ²	Z10 0-10V 1% Z10-D20 0-10V 1% Dim to Off (up to 3500lm)	U 120V/277V 3 347V ⁸ (Z10 only)								
						L01 Lutron PEQ0 EcoSystem 0.1% (up to 2500lm)		U 120V/277V							
						L1 Lutron LDE1 EcoSystem (up to 3500lm)									
						D DALI 0.1% ⁵		LIN Linear U 120V/277V							
						DMX Digital Multiplexing w/RDM 0.1% ^{6,7} SOL 0-10V 0.1%		LIN Linear SQR Square U 120V/277V							
						E Forward & Reverse Phase (up to 3000lm)		1 120V							
						RA Integral Interact-enabled RF sensor ⁵ (enables wireless connected lighting control)		U 120V/277V							
						Reflector finish		Cylinder finish	Buy American						
						CL Specular clear CC Comfort clear CD Comfort clear diffuse CZ Champagne bronze BK Black (matte)		W White (matte) B Black (matte) A Aluminum RAL RAL Color ⁹ (standard code)	BAC Meets the requirements of the Buy American Act of 1933 (BAA) ^{10,11} BABAF Meets the requirements of the Build America Buy America Act for projects funded through FHWA that are obligated before October 1, 2026, and meets the Buy America preferences for FTA ^{10,11}						

Pendant accessories (field adjustable)¹

example: CASK36BK

Series	Mounts	Length	Finish	Options
CA				
CA Calculite Accessory ¹⁰	SK Stem Kit	36 36 inches 48 48 inches 60 60 inches 72 72 inches	WH White (matte) BK Black (matte) AL Aluminum RAL RAL Color ⁹ (standard code)	- None X DMX dimming only
	CK Cable Kit ⁵ (RAL canopy kit will be with black cord)	10 120 inches	WH White (matte) BK Black (matte) AL Aluminum RAL RAL Color ⁹ (standard code)	- None

Accessories (not currently BAA-compliant)

SWCS	Interact Ready SWCS Controller New or remodel construction, integral RADIO or remote (recessed or surface) sensing with 0-10v luminaires. SWCS spec sheet for more details ¹¹
S4567A	Pendant-to-Surface 6" conversion kit

See footnotes on page 2

C6 Calculite LED 6" gen 3

Cylinder

Footnotes

1. Pendant (P) option needs to be ordered with an accessory.
2. Wall Wash (WW) and Double Wall Wash (DW) are only available with Wide (W) beam.
3. Consult factory for 5000K CCT (50) with narrow (N) beam.
4. Dim-to-warm (D2W) available only with Z10 dimming dimming up to 2000lm. Narrow (N) and medium (M) beams only.
5. Requires external mount driver available only for surface (S) and pendant (P) mounts. See dimensions on page 3 and details on page 2.
6. Remote driver configuration required on 4800lm and 6000lm configurations. Available only on surface (S) and pendant (P) mounts.
7. Digital Multiplex (DMX) dimming is not compatible with the Cable Kit (CK) accessory.
8. Not available for 4800lm (48) & 6000lm (60).
9. RAL standard colors can be specified upon request. Add RAL standard code to (RALxxxxx).
10. Not for use with Z103 347V option. Consult factory.
11. Requires IRT9015 IR remote & Interact Builder App for commissioning.

12. BAA and compliance requires that BAC option be selected for each of frame, engine, and trim. BABA compliance requires that BABAF option be selected for each of frame, engine, and trim. Frame, engine and trim will be shipped together as a single product. Accessories (optional) are not currently BAA- or BABA-compliant.
13. Failure to properly select the "BAC" suffix could result in you receiving product that is not BAA compliant product with no recourse for an RMA or refund. This BAC designation hereunder does not address (i) the applicability of, or availability of a waiver under, the Trade Agreements Act, or (ii) the "Buy America" domestic content requirements imposed on states, localities, and other non-federal entities as a condition of receiving funds administered by the Department of Transportation or other federal agencies. Genlyte's products with a BAC option code designation are manufactured in the US and utilize a BAA COTS exemption rule for compliance. "BABAF" designates the product will meet the standards set by FHWA for BABA and FTA for Buy America. As noted, for FHWA BABA compliance, applicable projects must be funded by October 1, 2026.

Cylinder

Cylinder housing: Cast aluminum, available for installation onto a 3" or 4" junction box, stem, cable, or wall mounted.

Surface mounting (C6S): Mounts directly to junction box. Listed for wet location use.

Pendant mounting (C6P): Order with the stem or cable kit. Listed for damp location use.

Wall Mounting (C6W): Pre-attached hardware allows for simple installation into wall mounted junction box. Listed for damp location use.

Pendant accessories

Stem mounting kit: 0.375" diameter steel stem (1/8" National Pipe Thread, can be field cut to required length. 5-wire conductor cable runs alongside of stem for power and dimming. Magnetic attachment of canopy to junction box provides clean look free of hardware. Self-aligning swivel mounting system ensures cylinder hangs straight down. Stem can be cut in field for length adjustment. A 1/8" hole is required to reconnect the pendant stem to the canopy swivel. Swivel accommodates max 45° pitch.

Cable mounting kit: 10' long steel cable with 5-wire cable for power and dimming. Hardware free canopy for clean aesthetics.

Remote drivers

- Available with surface and pendant mounts only
- Requires new construction or accessibility from above for initial installation
- Mains/control wiring in frame junction box
- Connection to light engine in secondary junction box
- Remote driver is accessible from below upon removal of the cylinder

Dimming drivers

All configurations are FCC Class A unless otherwise specified.

- Advance 0-10V 1% (Z10), logarithmic curve is standard, specify D2O for factory-set dim-to-off function, consult factory for linear dimming curve.
- EldoLED SOLODrive (SOL) 0-10V 0.1%
- Lutron PEQO (L01) Hi-Lume Premier EcoSystem 0.1%
- Lutron LDE1 (L1) EcoSystem 1%
- Electronic low voltage (E) – forward or reverse phase dimming, remodel and AirSeal IC Shallow are FCC Class B
- DALI (D) – DT6 DALI 0.1%
- DMX (DMX) – Digital multiplexing with RDM 0.1%
- Z10, E, and L01 drivers are integral to cylinder, all others are remote

Dimming options:

The following are factory-set for the SOL, D, and DMX driver options (ex. DMXLIN):

- SOL/D/DMX: Logarithmic (-) standard
- SOL/D/DMX: Linear (LIN)
- SOL/DMX: Square (SQR)
- Dim to Warm (D2W): option changes CCT from 3000-1800K gradually as it dims. Use with Z10 dimming only. Fixture-to-fixture consistency of ≤3SDCM at 2700K & 3000K, and ≤5SDCM at 1800K.

Optical systems

Comfort throughout the space:

Patented optical system combines primary and secondary optics to provide a true 50° physical cutoff and 45° reflected cutoff virtually eliminating the view of the light source and bright spots in the reflector. A new reflector curve reduces reflector brightness by up to 50% compared to existing products, allowing for the use of higher lumen packages in smaller apertures without creating bright spots in the ceiling.

MesoOptics PET optical diffusion film:

Provides a smooth beam shape and mitigates color over angle with optimized luminaire efficiency. Mitigates LED pixilation.

Quality of light: 2 SDCM ensures color consistency from fixture to fixture and over the luminaire's long lifetime. Proprietary optical grade silicone lens with patterned surface provides soft, even beam diffusion without hotspots or dark rings.

Labels and Listings

- cULus listed for wet locations (surface mount)
- cULus listed for damp locations (wall and pendant mount)
- RoHS certified
- Red List Declare label certified, ID SIG-0018 ([View full Declare label](#))

Warranty

5 year warranty on complete system.



Complete warranty available at:
http://images.philips.com/is/content/PhilipsConsumer/PDFDownloads/United%20States/ODL120150930_003-UPD-en_US-Philips-warranty-indoor-PLS-us.pdf

C6 Calculite LED 6" gen 3

Cylinder

Polished Reflectors Shown as round reflectors but represent the finish of Calculite square reflectors.



Specular clear (CL): Most specular and most efficient finish, delivers maximum photometric performance but can produce a mirror image effect of the interior space.



Champagne bronze (CZ): Semi-specular finish that softens light at the source of the reflector while providing a warmer reflector appearance (slightly warmer).



White (WH): (matte) Brightest illuminated aperture and provides the smoothest transition to most ceilings when off (white is only available with a white flange).



Comfort clear (CC): Semi-specular finish that softens the light at the source of the reflector and creates a subtle, even luminance from the reflector cone.



Comfort clear diffuse (CD): Slightly diffuse clear finish, that eliminates iridescence and reduces the mirror image effect inherent with specular finishes.

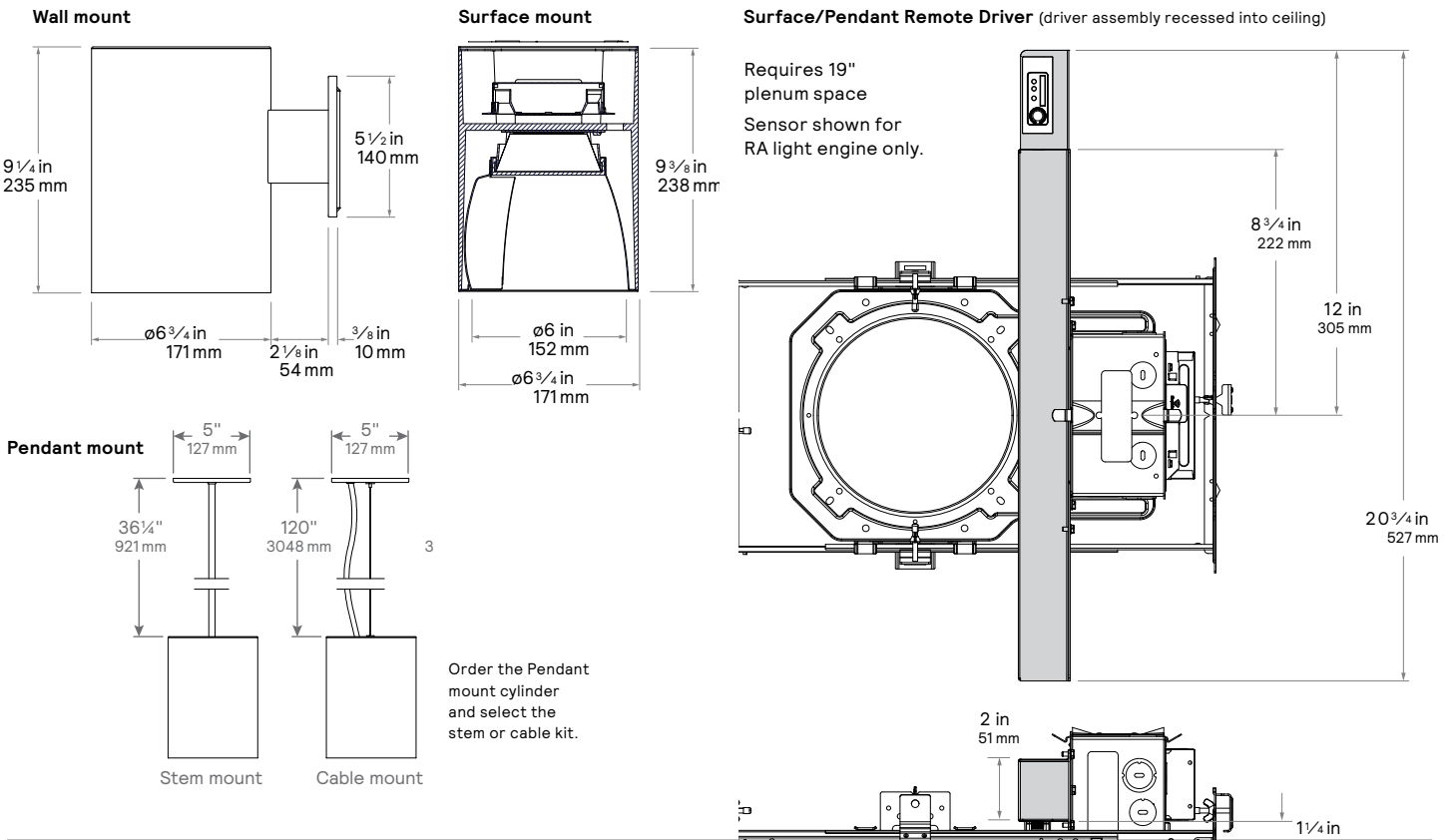


Black (BK): (anodized) Specular finish that provides the lowest aperture brightness possible and significantly reduces source identification in a ceiling.

C6 Calculite LED 6" gen 3

Cylinder

Dimensions



Electrical - Narrow

Light engine	Input Volts	Input Freq.	Input Current	Drive Current	Input Power	LED Power	THD Factor @ Max Load	Power Factor
1000lm	120V	50/60Hz	0.072A	0.22A	8.6W	7.0W	<10%	>0.9
	277V	50/60Hz	0.032A	0.22A	8.8W	7.0W	<20%	>0.9
	347V	50/60Hz	0.029A	0.22A	10.0W	7.0W	<30%	>0.9
1500lm	120V	50/60Hz	0.107A	0.33A	12.8W	10.7W	<10%	>0.9
	277V	50/60Hz	0.046A	0.33A	12.9W	10.7W	<10%	>0.9
	347V	50/60Hz	0.042A	0.33A	14.6W	10.7W	<25%	>0.9
2000lm	120V	50/60Hz	0.145A	0.45A	17.4W	14.7W	<10%	>0.9
	277V	50/60Hz	0.063A	0.45A	17.5W	14.7W	<10%	>0.9
	347V	50/60Hz	0.056A	0.45A	19.4W	14.7W	<20%	>0.9
2500lm	120V	50/60Hz	0.178A	0.55A	21.4W	18.2W	<10%	>0.9
	277V	50/60Hz	0.078A	0.55A	21.5W	18.2W	<10%	>0.9
	347V	50/60Hz	0.065A	0.55A	22.7W	18.2W	<20%	>0.9
3000lm	120V	50/60Hz	0.212A	0.65A	25.5W	21.7W	<10%	>0.9
	277V	50/60Hz	0.091A	0.65A	25.3W	21.7W	<10%	>0.9
	347V	50/60Hz	0.077A	0.65A	26.7W	21.7W	<15%	>0.9
3500 lm	120V	50/60Hz	0.237A	0.75A	28.4W	24.4W	<10%	>0.9
	277V	50/60Hz	0.103A	0.75A	28.4W	24.4W	<10%	>0.9
	347V	50/60Hz	0.084A	0.75A	29.1W	24.4W	<15%	>0.9
4800lm	120V	50/60Hz	0.338A	1.05A	40.5W	34.9W	<10%	>0.9
	277V	50/60Hz	0.145A	1.05A	40.3W	34.9W	<10%	>0.9
	347V	50/60Hz	0.118A	1.05A	41.0W	34.9W	<10%	>0.9
6000lm	120V	50/60Hz	0.442A	1.35A	53.0W	45.6W	<10%	>0.9
	277V	50/60Hz	0.188A	1.35A	52.1W	45.6W	<10%	>0.9
	347V	50/60Hz	0.153A	1.35A	53.0W	45.6W	<10%	>0.9

Electrical - Medium & Wide

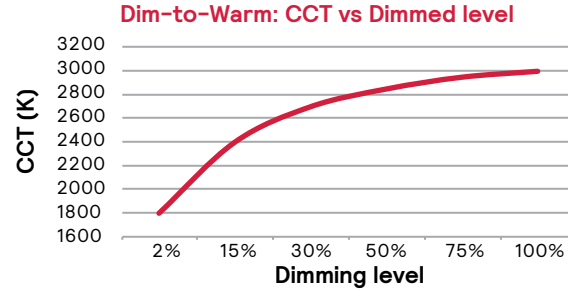
Light engine	Input Volts	Input Freq.	Input Current	Drive Current	Input Power	LED Power	THD Factor @ Max Load	Power Factor
1000lm	120V	50/60Hz	0.073A	0.22A	8.7W	7.1W	<10%	>0.9
	277V	50/60Hz	0.032A	0.22A	8.9W	7.1W	<20%	>0.9
	347V	50/60Hz	0.029A	0.22A	10.2W	7.1W	<30%	>0.9
1500lm	120V	50/60Hz	0.109A	0.33A	13.0W	10.9W	<10%	>0.9
	277V	50/60Hz	0.047A	0.33A	13.1W	10.9W	<10%	>0.9
	347V	50/60Hz	0.043A	0.33A	14.9W	10.9W	<25%	>0.9
2000lm	120V	50/60Hz	0.149A	0.45A	17.8W	15.1W	<10%	>0.9
	277V	50/60Hz	0.065A	0.45A	18.0W	15.1W	<10%	>0.9
	347V	50/60Hz	0.057A	0.45A	19.8W	15.1W	<20%	>0.9
2500lm	120V	50/60Hz	0.179A	0.55A	21.4W	18.2W	<10%	>0.9
	277V	50/60Hz	0.078A	0.55A	21.6W	18.2W	<10%	>0.9
	347V	50/60Hz	0.066A	0.55A	22.8W	18.2W	<20%	>0.9
3000lm	120V	50/60Hz	0.220A	0.67A	26.4W	22.4W	<10%	>0.9
	277V	50/60Hz	0.095A	0.67A	26.2W	22.4W	<10%	>0.9
	347V	50/60Hz	0.079A	0.67A	27.5W	22.4W	<15%	>0.9
3500 lm	120V	50/60Hz	0.245A	0.75A	29.4W	25.3W	<10%	>0.9
	277V	50/60Hz	0.106A	0.75A	29.4W	25.3W	<10%	>0.9
	347V	50/60Hz	0.087A	0.75A	30.1W	25.3W	<15%	>0.9
4800lm	120V	50/60Hz	0.350A	1.08A	42.0W	36.1W	<10%	>0.9
	277V	50/60Hz	0.150A	1.08A	41.5W	36.1W	<10%	>0.9
	347V	50/60Hz	0.122A	1.08A	42.5W	36.1W	<10%	>0.9
6000lm	120V	50/60Hz	0.454A	1.38A	54.5W	46.8W	<10%	>0.9
	277V	50/60Hz	0.193A	1.38A	53.5W	46.8W	<10%	>0.9
	347V	50/60Hz	0.157A	1.38A	54.5W	46.8W	<10%	>0.9

C6 Calculite LED 6" gen 3

Cylinder

Lifetime (TM-21) data

Lumens	Narrow beam	Medium/Wide beam
500lm		
1000lm	L85 @ 55,000hrs.	L90 @ 60,000hrs.
1500lm		
2000lm	L85 @ 55,000hrs.	L80 @ 60,000hrs.



AccuRender Technology (CRI 90+)

The right light brings colors to life. Our new AccuRender technology helps ensure colors are rendered more accurately and consistently, while doing so as efficiently as CRI 80 products.



Standard CRI 80
Good color rendering and high efficacy



Standard CRI 90
Better color rendering and low efficacy



AccuRender
Best color rendering, color preference and high efficacy

Enjoy design flexibility

Full range of products and options:

- Available soon in across Lightolier portfolio for application flexibility
- Multiple color temperatures (CCTs) and lumen packages offered

Promote savings

High efficacy, with no penalty:

- Energy efficacy compares well to conventional 80 CRI
- Up to 25% more energy savings vs competitor 90 CRI¹
- Helps meet Title 24 requirements

Show your true colors

High color rendering:

- True to life colors that help energize your environment and render better flesh tones critical for healthcare hospitality and retail applications.
- R_a up to 94 CRI
- R_g up to 67 CRI
- G_a up to 99 CRI
- C_g up to 94 CRI
- R_f up to 92 TM-30
- R_{g,ht} up to 91 TM-30
- R_g up to 100 TM-30
- R_{cs,ht} up to -5% TM-30

Achieve color balance

Best in class color consistency:

- Promote aesthetic harmony in your space with ≤ 2 SDCM

Round Downlight

Photometric - Downlights with CRI of 90+ & R9 of 50+

Lumen Package	Beam	Flux (lm)	Efficacy (lm/W)	Beam Angle	CBCP	CRI	R9	IES TM-30-18			UGR
								R _f	R _g	R _{cs,ht}	
1000 lm	Narrow (N)	989	115	36°	2510	90+	50+	91	100	-5%	0
	Medium (M)	1011	116	57°	1183	90+	50+	91	100	-5%	0
	Wide (W)	942	108	76°	641	90+	50+	91	100	-5%	0
1500 lm	Narrow (N)	1522	119	36°	3863	90+	50+	91	100	-5%	1
	Medium (M)	1530	117	57°	1790	90+	50+	91	100	-5%	1
	Wide (W)	1420	109	76°	965	90+	50+	91	100	-5%	1
2000 lm	Narrow (N)	2075	119	36°	5265	90+	50+	91	100	-5%	2
	Medium (M)	2070	116	57°	2422	90+	50+	91	100	-5%	2
	Wide (W)	1918	107	76°	1304	90+	50+	91	100	-5%	2
2500 lm	Narrow (N)	2511	115	36°	6372	90+	50+	91	100	-5%	3
	Medium (M)	2526	119	57°	2954	90+	50+	91	100	-5%	3
	Wide (W)	2377	112	76°	1616	90+	50+	91	100	-5%	3
3000 lm	Narrow (N)	2927	115	36°	7428	90+	50+	91	100	-5%	4
	Medium (M)	3051	116	57°	3568	90+	50+	91	100	-5%	4
	Wide (W)	2834	107	76°	1926	90+	50+	91	100	-5%	4
3500 lm	Narrow (N)	3333	117	36°	8457	90+	50+	91	100	-5%	4
	Medium (M)	3414	116	57°	3993	90+	50+	91	100	-5%	4
	Wide (W)	3145	107	76°	2138	90+	50+	91	100	-5%	4
4800 lm	Narrow (N)	4491	111	36°	11397	90+	50+	91	100	-5%	5
	Medium (M)	4874	116	57°	5701	90+	50+	91	100	-5%	6
	Wide (W)	4500	107	76°	3059	90+	50+	91	100	-5%	5
6000 lm	Narrow (N)	5529	104	36°	14031	90+	50+	91	100	-5%	6
	Medium (M)	6090	112	57°	7123	90+	50+	91	100	-5%	6
	Wide (W)	5628	103	76°	3825	90+	50+	91	100	-5%	6

Round Wall Wash

Photometric - Downlights with CRI of 90+ & R9 of 50+

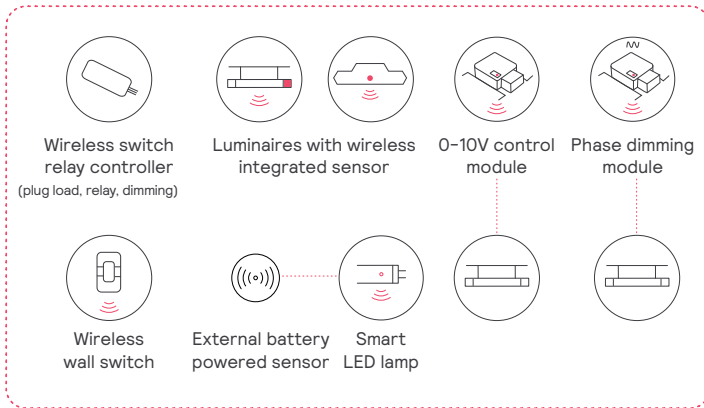
Lumen Package	Beam	Flux (lm)	Efficacy (lm/W)	Beam Angle	CBCP	CRI	R9	IES TM-30-18			UGR
								R _f	R _g	R _{cs,ht}	
1000 lm	Open (WW)	787	90	--	--	90+	50+	93	100	-3%	9
	Lensed (LW)	725	83	--	--	90+	50+	91	100	-6%	15
1500 lm	Open (WW)	1186	91	--	--	90+	50+	93	100	-3%	10
	Lensed (LW)	1093	84	--	--	90+	50+	91	100	-6%	17
2000 lm	Open (WW)	1602	90	--	--	90+	50+	93	100	-3%	11
	Lensed (LW)	1476	83	--	--	90+	50+	91	100	-6%	18
2500 lm	Open (WW)	1986	91	--	--	90+	50+	93	100	-3%	12
	Lensed (LW)	1830	84	--	--	90+	50+	91	100	-6%	19
3000 lm	Open (WW)	2367	90	--	--	90+	50+	93	100	-3%	13
	Lensed (LW)	2181	83	--	--	90+	50+	91	100	-6%	19
3500 lm	Open (WW)	2627	89	--	--	90+	50+	93	100	-3%	13
	Lensed (LW)	2421	82	--	--	90+	50+	91	100	-6%	20
4800 lm	Open (WW)	3758	90	--	--	90+	50+	93	100	-3%	14
	Lensed (LW)	3464	82	--	--	90+	50+	91	100	-6%	21
6000 lm	Open (WW)	4700	86	--	--	90+	50+	93	100	-3%	15
	Lensed (LW)	4332	80	--	--	90+	50+	91	100	-6%	22

C6 Calculite LED 6" gen 3

Cylinder

Signify
interact

Easy. Effective. Smart.



Meet Interact

A smart, wireless luminaire level lighting control system (LLLC). A complete solution that combines modern and intuitive technologies for easy installation and specification.

- Works with or without gateway
- **No** IT
- **No** light point restrictions
- **Up to 75%** out of the box savings
- **Fast & easy**
- **Code & rebates** compliant

Capabilities



Luminaire integrated occupancy and daylight sensing



BMS integration



Human-centric lighting



Connectivity & insights



Full Automation*



Security

*Grouping, zoning, dimming, high-end trimming, scenes, scheduling, manual controls

Benefits



Up to **80%** installation savings¹

Compared to installation costs of wired systems



Up to **5 min** faster setup time²

Compared to similar wireless systems



Less than **2 year** payback

Implement deep energy-saving strategies and claim utility rebates



1.8x more energy savings

Compared to conventional control systems



Up to **2x** utility rebates

Network Interact ready devices and get more utility rebates³

1. Versus legacy systems based on installer interviews

2. Based on installer analysis done by Signify for a typical multi-zone space

3. Utility programs across US

Just lights and an App



1. Install the Interact ready fixtures with embedded smart sensor
2. Install the wireless wall switch
3. Configure your setup with the Interact App
4. Leverage the IRT9015 remote accessory to accelerate your setup process
5. Optionally add a gateway for insights and management

Learn more about Interact:

Interact includes an app, a web portal, and a comprehensive range of Interact ready wireless luminaires, lamps, retrofit kits, and control devices like switches and sensors that operate within the same system.



C6 Calculite LED 6" gen 3

Cylinder

Controls Options*

Interact radio node for Standalone,

Gateway & Gateway + IoT tiers (RA)

- RA sensor option is a connected radio node supporting wireless mesh connectivity.
- Compatible with standalone and gateway modes of Interact.

Interact occupancy & daylight sensor for Standalone, Gateway & Gateway + IoT tiers (CS)

- The CS sensor option is a connected sensor with built-in occupancy and daylight detection, along with wireless mesh connectivity.
- Compatible with standalone and gateway modes of Interact.

Interact advanced sensor bundle for Gateway + IoT tier (SB)

- SB sensor option offers occupancy and daylight sensing and supports advanced IoT capabilities, such as desk-level temperature and humidity monitoring, noise classification, and Bluetooth Low Energy (BLE) beacon functionality.
- Setup requires a compatible gateway and internet connectivity.
- With compatible gateway and software analytics, SB sensor option enables greater building efficiency, seamless system integration, and optimized space utilization through occupancy and environmental insights.

Interact for intelligent buildings sensor option codes across Genlyte product lines*

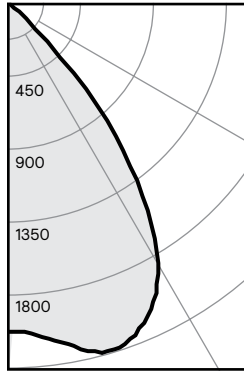
	Sensor part #	Daybrite	Ledalite	Lightolier
Zigbee + Bluetooth	SC100B	RADIO	RA	RA
Zigbee + Bluetooth + Sensing	SC200B	SWZCS	CS	SBA or SWCS accessory
Zigbee + Bluetooth + Sensing + Environmental data	SC1500	IAOSB	SB	SBA or SWCS accessory
Zigbee + Highbay + Bluetooth + Sensing	SNH210 IA	SWZCSH	-	-

C6 Calculite LED 6" gen 3

Cylinder

Wide beam, 2500lm Engine, 112lm/W at 21W

Candela Curve



C6SDL25935WZ10UCLW

Output lumens: 2378 lms
 Input watts: 21.3 W
 CRI: 90 min
 CCT¹: 3500K
 Spacing Crit.: 1.3
 Beam Angle: 76°

Zonal summary

Zone	Lumens	%Luminaire
0-30	1420	59.7%
0-40	2131	89.6%
0-60	2376	99.9%
0-90	2378	100.0%

Angle	Mean CP	Lumens
0	1616	
5	1642	
10	1705	159
15	1780	
20	1762	501
25	1665	
30	1478	760
35	1160	
40	758	711
45	277	
50	25	238
55	7	
60	3	7
65	2	
70	1	2
75	1	
80	0	1
85	0	
90	0	0

Single unit data

Height to lighted plane	Initial center beam foot-candles	Beam diameter (ft)*
5'	65	6.5'
6'	45	7.8'
7'	33	9.1'
8'	25	10.4'
9'	20	11.7'

* Beam diameter is where foot-candles drop to 50% of maximum.

Multiple unit data - RCR 2

Spacing on center	Initial center beam foot-candles	Watts per sq. ft.
5'	107.0	0.94
6'	70.0	0.62
7'	50.0	0.44
8'	42.0	0.37
9'	34.0	0.30

38' x 38' x 10' Room, Workplane 2.5' above floor, 80/50/20% Reflectances

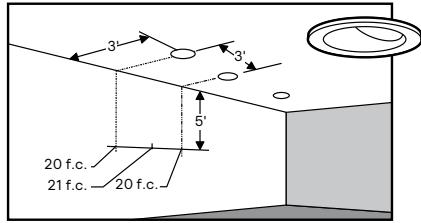
Efficacy: 111.6lm/W
 Report#: STMR-2438

Adjustment factors

Finish	CCT	Lumens
CL = 100%	90CRI, 4000K = 102%	6000lm = 240%
CC = 95%	90CRI, 3500K = 100%	4800lm = 192%
CD = 87%	90CRI, 3000K = 96%	3500lm = 140%
CZ = 63%	90CRI, 2700K = 92%	3000lm = 120%
WH = 87%		2500lm = 100%
BK = 57%		2000lm = 80%
		1500lm = 60%
		1000lm = 40%

Coefficients of utilization

Ceiling	80%		70%		50%		30%		0%		
	70	50	30	10	50	10	50	10	50	10	
Wall	70	50	30	10	50	10	50	10	50	10	
RCR	Zonal cavity method - Effective floor reflectance = 20%										
Room Cavity Ratio	0	119	119	119	116	116	111	111	106	106	100
1	113	110	108	105	108	104	104	100	100	97	93
2	107	102	98	94	100	93	97	91	94	89	85
3	101	94	89	85	93	84	90	83	88	81	78
4	95	87	81	77	86	76	84	75	82	75	72
5	90	81	75	70	80	70	78	69	76	69	66
6	85	75	69	64	74	64	73	64	71	63	61
7	80	70	64	59	69	59	68	59	67	58	56
8	76	65	59	54	65	54	64	54	63	54	52
9	72	61	55	50	61	50	60	50	59	50	48
10	68	57	51	47	57	47	56	47	55	46	45



Lighting Data - Example

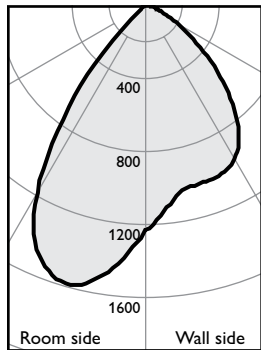
C4RWWCL / C4L15935W
 illumination on the wall
 5' down from the ceiling is 20 f.c.
 beneath and 21 f.c. between fixtures.

Adjustment factors

Finish	CCT	Lumens
CL = 100%	90CRI, 4000K = 102%	6000lm = 240%
CC = 95%	90CRI, 3500K = 100%	4800lm = 192%
CD = 87%	90CRI, 3000K = 96%	3500lm = 140%
CZ = 63%	90CRI, 2700K = 92%	3000lm = 120%
WH = 87%		2500lm = 100%
BK = 57%		2000lm = 80%
		1500lm = 60%
		1000lm = 40%

Open Wall Wash, 2500lm Engine, 90lm/W at 22W

Candela Curve



C6SWW25935WZ10UCLW

Output lumens: 1986 lms
 Input watts: 22.0 W
 CRI: 90 min
 CCT¹: 3500K

Efficacy: 90.3 lm/w
 Report#: STMR-1837

Multiple unit data

Distance from ceiling in feet	Footcandles on wall		
	2' from wall	3' on ctr.	
1	25	19	25
2	49	41	49
3	49	47	49
4	39	40	39
5	29	30	29
6	22	23	22
7	17	18	17
8	13	14	13
9	11	11	11
10	9	9	9
12	7	8	7
14	6	6	6

Multiple unit data

Distance from ceiling in feet	Footcandles on wall		
	3' from wall	3' on ctr.	
1	9	8	9
2	21	20	21
3	32	30	32
4	33	34	33
5	30	31	30
6	25	26	25
7	20	21	20
8	17	17	17
9	14	14	14
10	11	12	11
12	9	10	9
14	8	8	8

Multiple unit data

Distance from ceiling in feet	Footcandles on wall		
	3' from wall	4' on ctr.	
1	7	6	7
2	17	13	17
3	25	21	25
4	26	25	26
5	23	24	23
6	20	20	20
7	17	17	17
8	14	14	14
9	12	12	12
10	10	10	10
12	8	9	8
14	7	8	7

1. Correlated Color Temperature within specs as defined in ANSI_NEMA_ANSI C78.377-2008: Specifications for the Chromaticity of Solid State Lighting Products.
 2. Tested using absolute photometry as specified in LM79: IESNA Approved Method for the Electrical and Photometric Measurements of Solid-State Lighting Products.