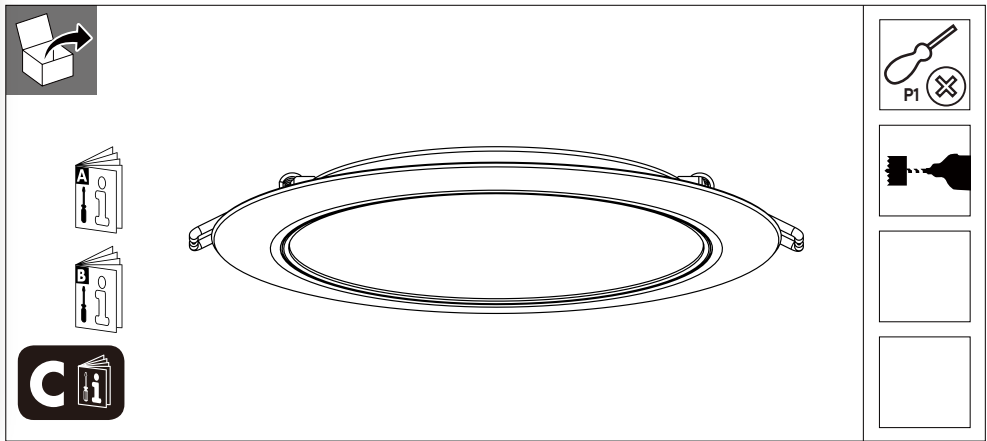


PHILIPS

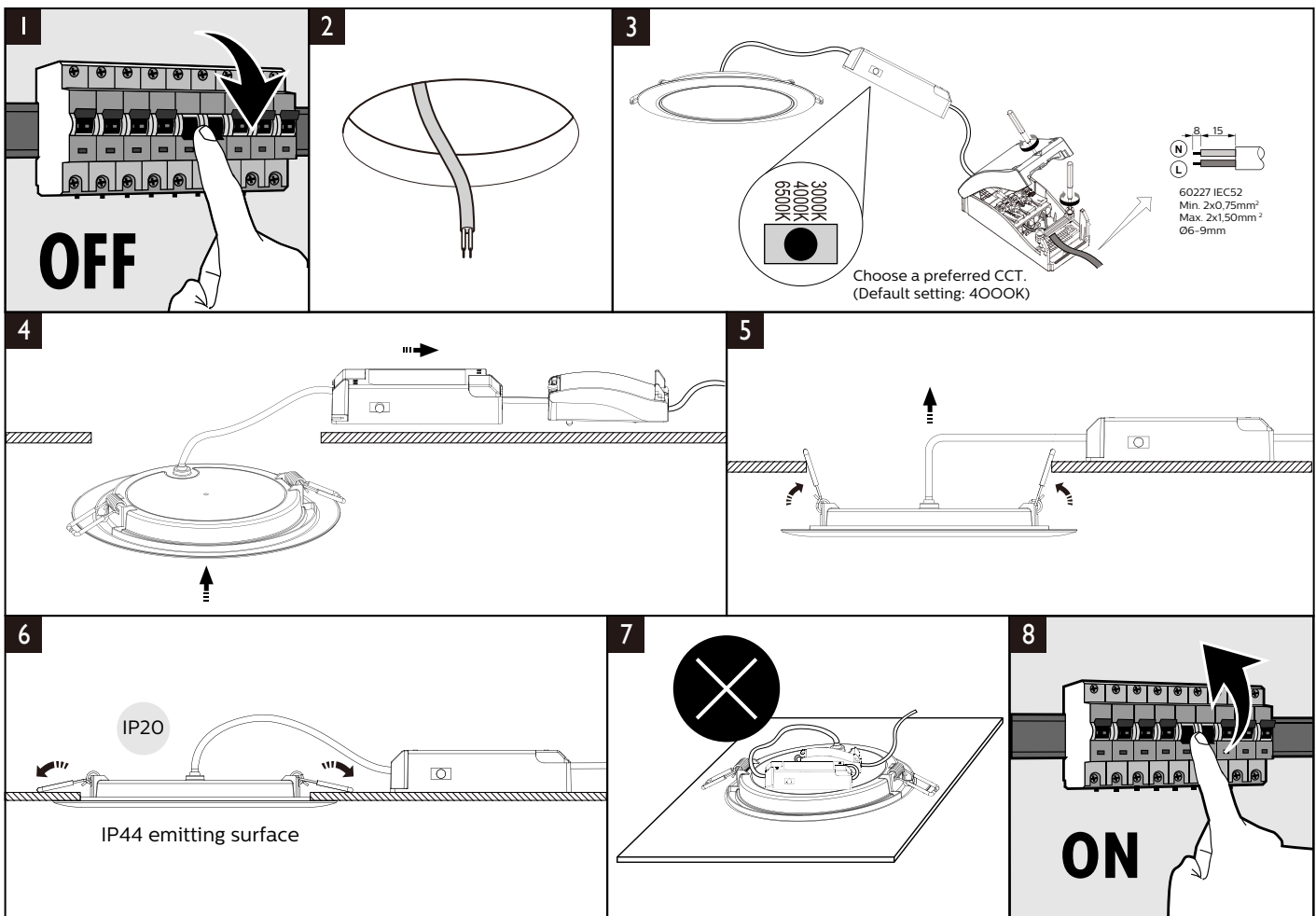
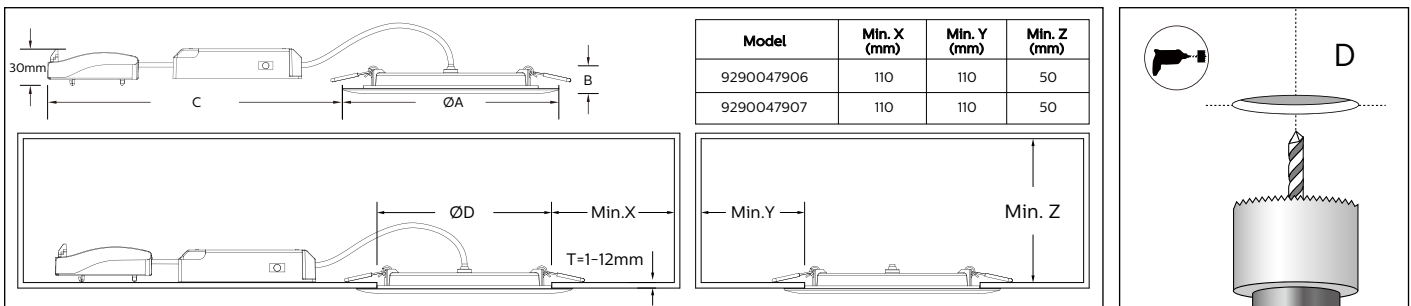
MESON Slim LED Downlight

User Manual

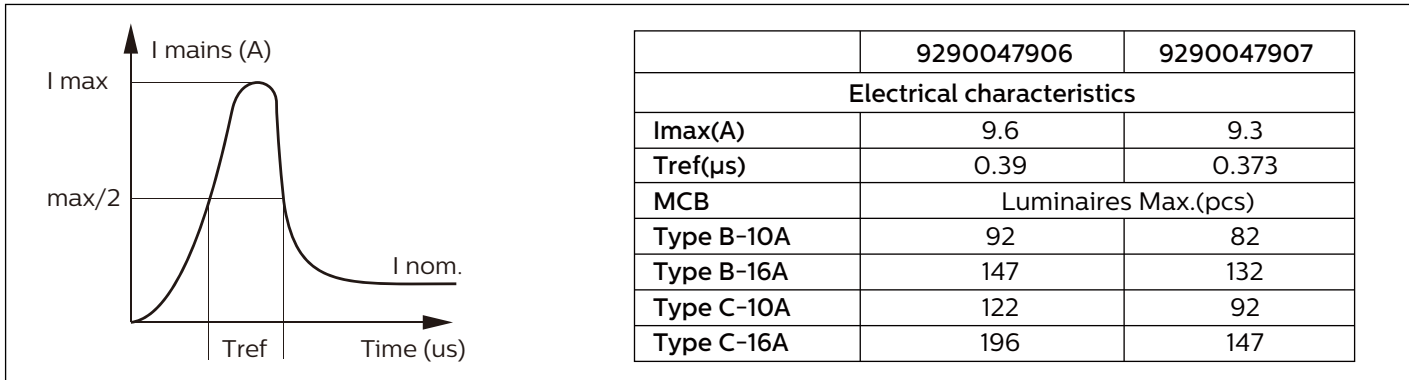


		Ta 25 °C	Max. 40 °C Min. -20 °C	220V~ 240V	50Hz/ 60Hz		01	04	30	55	58	66
--	--	----------	---------------------------	---------------	---------------	--	----	----	----	----	----	----

Model	Product description	Power (W)	CRI (Ra)	CCT (K)	Total lumen (lm)	Energy efficiency class of light source	Dimension A*B, C (mm)	Cut Out D (mm)	Weight (kg)
9290047906	MESON Slim 150 15W 30/40/65K WH recessed	15	80	3000-4000-6500	1300(4000K)	F	Ø170*22, Min.242	145-155	0.18
9290047907	MESON Slim 200 15W 30/40/65K WH recessed	20	80	3000-4000-6500	2000(4000K)	F	Ø222*22, Min.242	195-205	0.25



Inrush current



3241 663 71151

© 2026 Signify Holding

signify

Philips and the Philips shield emblem are registered trademarks of Koninklijke Philips N.V. and are used under license.