

# PHILIPS hue

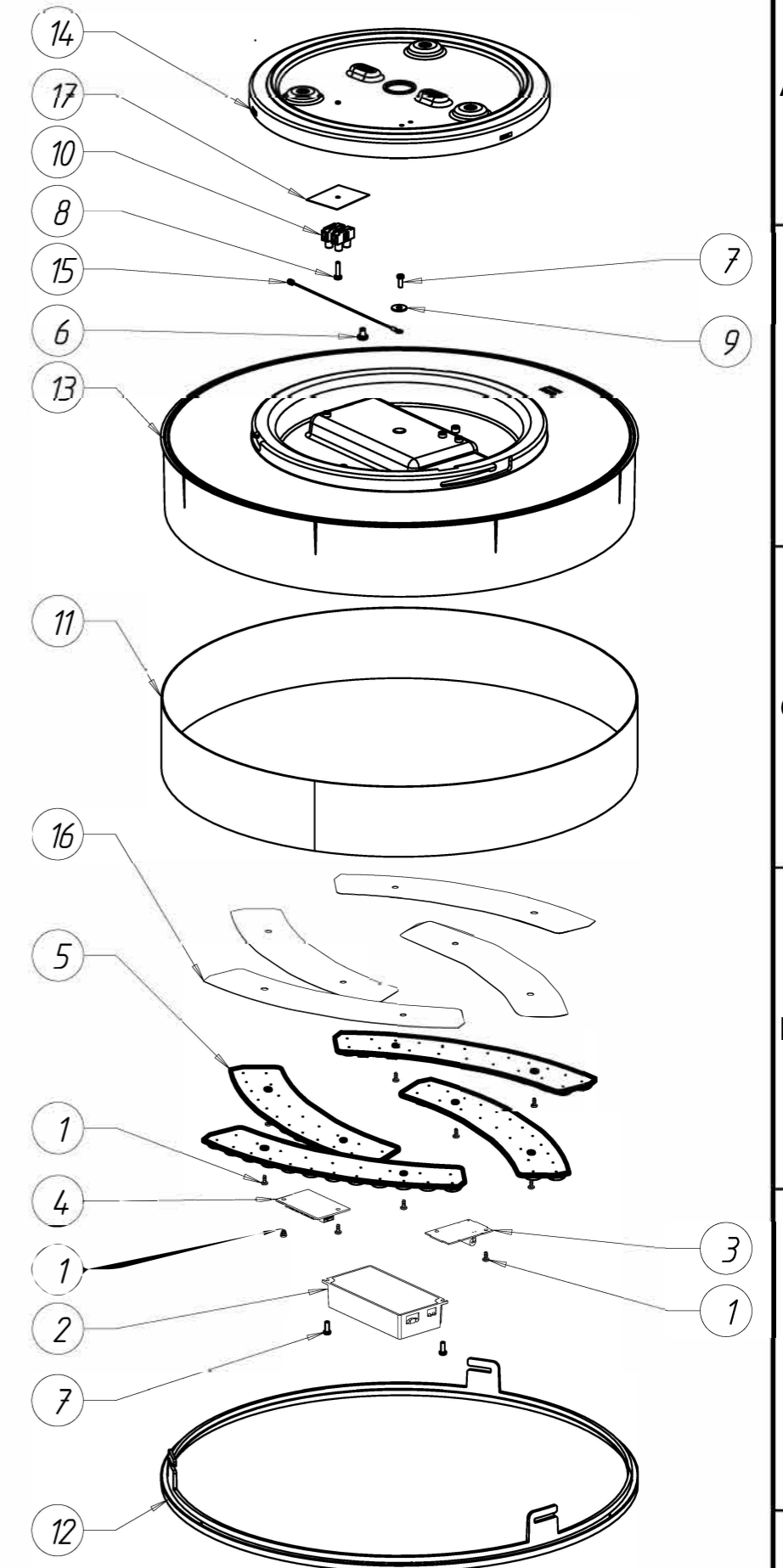
### Warnings

Always make sure the luminaire is detached from the mains socket  
 Always make sure the DC cable is detached from the power supply  
 Staring at the operating light source may cause eye injury

#	Disassemble/dismantle steps	Tools needed
a	Press and rotate diffuser [12] by hand counter clockwise until it unsnap.Lift the diffuser up to remove it from base [13]	-
b	Remove deco ring [11] by lifting up from the base [13]	-
c	Unplug wires from light source-led modules [5]	WAGO TOOL #2060
d	Unplug wires from light source - splitter [4]	WAGO TOOL #2060
e	Remove low voltage wires of Control gear - psu [2] from Light source - hue connect [3]	FLATHEAD SCREWDRIVER OR WAGO TOOL #2065
f	Remove flat cable from the light source - splitter [4] and light source - hue connect [3]	-
g	Unscrew 1 screw [1] and remove light source-hue connect [3]	TORXHEAD SCREW DRIVER T10
h	Unscrew 8 screws [1] and remove light source -led modules [5] and plates [16]	TORXHEAD SCREW DRIVER T10
i	Unscrew 2 screws [1] and remove light source - splitter [4]	TORXHEAD SCREW DRIVER T10
j	Rotate bracket [14] by hand counter clockwise until it unsnap.Lift bracket up to remove it from base [13]	-
k	Unscrew 1 screw [8] and remove terminal block [10] and foil [17]	TORXHEAD SCREW DRIVER T10
l	Unscrew 1 screw [7] and remove suspension cable [15] and washer [10] from base [13]	TORXHEAD SCREW DRIVER T10
m	Unscrew 1 screw [6] and remove it from bracket [14]	CROSSHEAD SCREWDRIVER PZ
n	Unscrew 2 screws [7] and remove control gear-psu [2] from base [13]	TORXHEAD SCREW DRIVER T10

#	COMPONENT	QTY
1	Screw	11
2	Control gear - psu	1
3	Light source - hue connect	1
4	Light source - splitter	1
5	Light source -led module	4
6	Screw	1
7	Screw	3
8	Screw	1
9	Washer	1
10	Terminal block	1
11	Deco ring	1
12	Diffuser	1
13	Base	1
14	Bracket	1
15	Suspension cable	1
16	Plate	4
17	Foil	1

SKU	Color	Country
915005996601	White	EU/UK
915005996701	Black	EU/UK
915005997601	White	EU/UK



STATUS	DESCRIPTION	DESIGN ID	01	2021-06-10
Enrave M ceiling lamp white/black/white IP44 1x20W 24V,Disassembly instruction		DOC 12NC		
NAME	Pa Ku	LOCAL PART ID	SH. 1	SH.
CHECKED		DATE	2021-06-10	A3-L
CONFIDENTIAL, PROPERTY OF: © 2020 Signify Holding				