

Project: \_\_\_\_\_  
 Location: \_\_\_\_\_  
 Cat.No: \_\_\_\_\_  
 Type: \_\_\_\_\_  
 Lamps: \_\_\_\_\_ Qty: \_\_\_\_\_  
 Notes: \_\_\_\_\_

The Gardco TRS Tapered Round Steel pole consists of a one-piece design fabricated steel tubing circumferentially welded to a structural quality hot rolled carbon steel plate. The poles are finished with an electrostatically applied, thermally cured TGIC polyester powdercoat.

All poles include steel square base cover, handhole, ground lug and top cap. Anchor bolts and templates are included with the pole.

PREFIX	HEIGHT <sup>4</sup>	POLE GAUGE/ WALL THICKNESS	DRILLING/TENON CONFIG <sup>1</sup>	DRILLING TEMPLATE <sup>2,3</sup>	FINISH	OPTIONS <sup>3,5</sup>
05TRS	20	11	<b>Drilling</b>		<b>BK</b> Black	<b>FES<sup>8</sup></b> Festoon Outlet <b>VDA</b> Vibration Dampener <b>AHH</b> Additional Hand Hole <small>For Festoon Outlets and Additional Hand Holes, indicate height above base and orientation to original hand hole. See Pole Orientation Information on Page 4.</small>  <b>Nipples and Couplings</b> <b>CL1/2</b> Coupling - Internal Thread 1/2" <b>CL3/4</b> Coupling - Internal Thread 3/4" <b>CL1</b> Coupling - Internal Thread 1" <b>CL1-1/4</b> Coupling - Internal Thread 1-1/4" <b>CL1-1/2</b> Coupling - Internal Thread 1-1/2" <b>NL1/2</b> Nipple - External Thread 1/2" <b>NL3/4</b> Nipple - External Thread 3/4" <b>NL1</b> Nipple - External Thread 1" <b>NL1-1/4</b> Nipple - External Thread 1-1/4" <b>NL1-1/2</b> Nipple - External Thread 1-1/2" <small>Indicate height above base and orientation to hand hole. See Pole Orientation Information on Page 4.</small>  <b>LAB</b> Less anchor bolts and template <b>EAB</b> Anchor bolts and template shipped early  <b>Blank</b> None <b>BABA<sup>7</sup></b> Build America, Buy America Funding <b>BAA<sup>7</sup></b> Buy America Compliant
06TRS	20		D1 1 Way	DT1 Drill Template 1	<b>BZ</b> Bronze	
	25		D1@180 1 Way @ 180	DT2 Drill Template 2	<b>WH</b> White	
07TRS	20		D2 2 Way @ 180	DT3 Drill Template 3	<b>DG</b> Dark Grey	
	25		D2@90 2 Way @ 90	DT4 Drill Template 4	<b>MG</b> Medium Grey	
08TRS	30		D3 3 Way @ 90	DT5 Drill Template 5	<b>GY3</b> Light Grey, Smooth	
	35		D3@120 3 Way @ 120	DT6 Drill Template 6	<b>GV</b> Galvanized	
			D4 4 Way @ 90	[DTX-xxx] <sup>7</sup> Custom Template	<b>FP/GV</b> Finished Textured Powder Coat Over Galvanized (Specify, ex: MG/GV)	
09TRS	39		<b>Tenons</b>		<b>OC</b> Optional Color Paint (ex: RAL7024)	
			T2D4L 2-3/8" OD x 4" length	<b>N</b> No Drilling Template (for Tenon and Plain Top Options)	<b>SC</b> Special/Custom Color (Specify, must supply color chip)X	
			T2D6L 2-3/8" OD x 6" length			
			T3D4L 3" OD x 4" length			
			T4D6L 4" OD x 6" length			
			<b>No Drilling/NoTenons</b>			
			P Plain Top			

### Anchor bolts for Gardco OXTRS, if ordered seperately

	12NC for or- dering	Description (in inches)
For 05TRS & 06TRS-25 only	912401593125	SET OF 4 3/4 x 24 x 4 AB
For other OXTRS	912401593126	SET OF 4 1 x 36 x 4 AB

- See Drilling Configurations on Page 3.
- See Luminaire Drilling Templates on Page 3
- Not all options available with all configurations. Consult factory for more details
- Pole heights can be cut to length. Specify as a whole number or to the inch.
- Option must be specified, including install location, by the customer before order processing. FES, DR, GF, AHH options must be placed minimum 36" above base.
- Custom drill templates (DTX) require factory quote.
- Failure to properly select the "BAA or BABA" suffix could result in you receiving product that is not BAA compliant product with no recourse for an RMA or refund. This BAA designation hereunder does not address (i) the applicability of, or availability of a waiver under, the Trade Agreements Act, or (ii) the "Buy America" domestic content requirements imposed on states, localities, and other non-federal entities as a condition of receiving funds administered by the Department of Transportation or other federal agencies. Requires factory quote
- Consult Signify to confirm whether specific accessories are BAA-compliant.

# Poles Tapered Round Steel

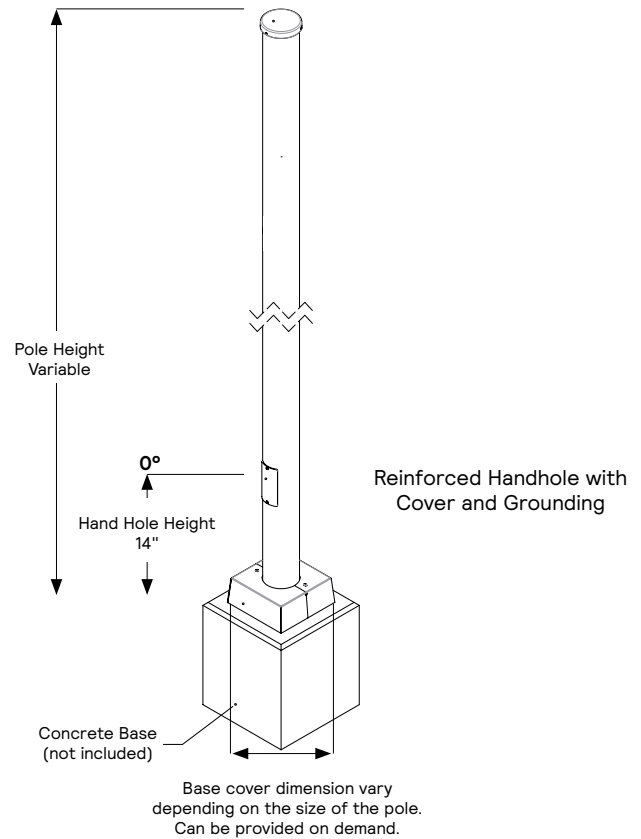
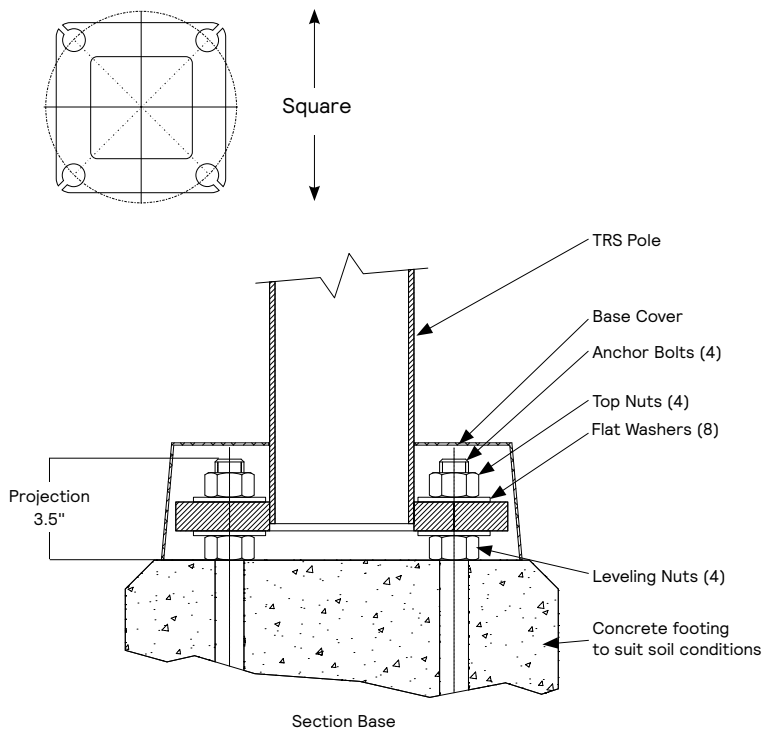
## Pole Data

Pole Specs					Anchor Bolt Data <sup>2</sup>	
Product Catalog Number <sup>1</sup>	Height (ft)	Taper Pole Diameter Base (inches)	Taper Pole Diameter Top (inches)	Wall Thickness (inches)	Bolt Circle (inches)	Bolt Size (inches)
05TRS-20-11	20	5.2	2.4	0.12	9.5	3/4 x 24 x 4.0
06TRS-20-11	20	6.5	3.7	0.12	10.0	3/4 x 24 x 4.0
06TRS-25-11	25	5.9	2.4	0.12	9.5	1 x 36 x 4.0
07TRS-25-11	25	7	3.5	0.12	10.0	1 x 36 x 4.0
07TRS-30-11	30	6.6	2.4	0.12	10.0	1 x 36 x 4.0
08TRS-30-11	30	8	3.8	0.12	11.0	1 x 36 x 4.0
08TRS-35-11	35	8.5	3.6	0.12	11.5	1 x 36 x 4.0
09TRS-39-11	39	9	3.5	0.12	12.5	1 x 36 x 4.0

- 05TRS, 06TRS-25, 07TRS-30 cannot be side drilled
- Warning:** Additional wind loading, in terms of EPA, from banners, cameras, floodlights and other accessories attached to the pole, must be added to the luminaire(s) EPA before selecting the pole with the appropriate wind load capability.
- Factory supplied template must be used when setting anchor bolts. Gardco will not honor any claim for incorrect anchorage placement resulting from failure to use factory supplied templates.
- 2.4" top OD cannot be side drilled, act as T2DL4 tenon.
- Never erect a pole without the intended loading attached

## Dimensions

Bolt Holes 0.25" Larger than Anchor Bolt Diameter



\* Anchor Bolt Lock Washers are not normally required and are not included in standard anchor bolt sets. They are available upon request at additional cost.

\*\*Grouting should include a drainage slot or tube (by others) to permit water to drain from the base of the pole. Failure to provide drainage may weaken the pole base structure over time and may result in pole base failure, for which Gardco is not responsible.

**NOTE:** Factory supplied template must be used when setting anchor bolts. Gardco will not honor any claim for incorrect anchorage placement from failure to use factory supplied templates.

# Poles Tapered Round Steel

## EPA Calculations: Minimum Performances

### ASCE 7-93 (with 1.3 gust)

80 MPH	Max Weight	90 MPH	Max Weight	100 MPH	Max Weight	110 MPH	Max Weight
12.5	312.5	9.3	232.5	7.2	180	5.6	140
22.1	552.5	17	425	13.3	332.5	10.7	267.5
10.4	260	7.7	192.5	5.7	142.5	4.9	122.5
20	500	15	375	11.5	287.5	9.1	227.5
11.1	277.5	8	200	5.8	145	4.1	102.5
16.7	417.5	12.2	305	9.5	237.5	7.5	187.5
13.1	327.5	9.5	237.5	7.1	177.5	5.2	130
11.8	295	8.3	207.5	5.9	147.5	4.2	105

### AASHTO 2013 (with 3sec. Gust)

90 MPH	Max Weight	100 MPH	Max Weight	110 MPH	Max Weight	110 MPH	Max Weight	120 MPH	Max Weight	130 MPH	Max Weight	140 MPH	Max Weight	150 MPH	Max Weight
15.7	220	12.1	220	9.4	220	9.4	220	7.58	220	6.23	220	5.17	220	4.32	220
27.4	220	21.8	220	17.6	220	17.6	220	14.5	220	12.1	220	10.2	220	8.7	220
13.4	220	10.1	220	7.9	220	7.9	220	6.3	220	5	220	4	220	3.2	220
23.9	220	18.7	220	14.9	220	14.9	220	12	220	9.8	220	8.2	220	7	220
14.3	220	10.9	220	8.4	220	8.4	220	6.5	220	5	220	3.9	220	3	220
21.8	220	16.8	220	13.2	220	13.2	220	10.6	220	8.6	220	7.2	220	6	220
18.4	220	13.8	220	10.7	220	10.7	220	8.3	220	6.6	220	5.3	220	4.3	220
15.5	220	11.5	220	8.6	220	8.6	220	6.6	220	5	220	3.8	220	3	220

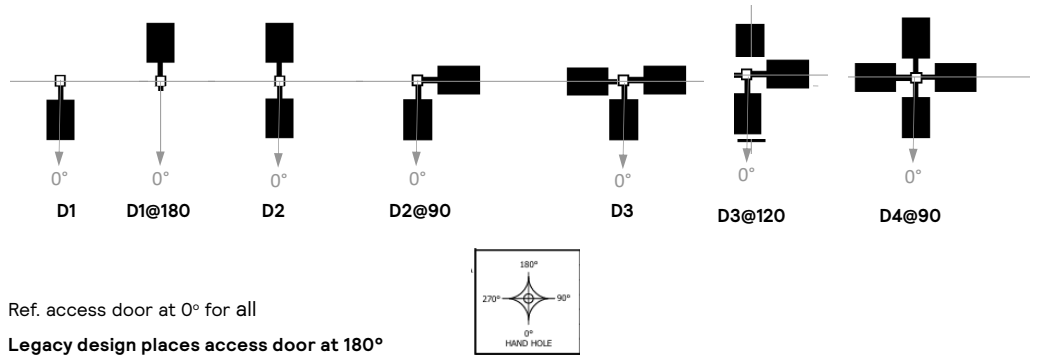
### Florida Buiding Code 2020 (with 3sec gust)

120 MPH	Max Weight	130 MPH	Max Weight	140 MPH	Max Weight	150 MPH	Max Weight	160 MPH	Max Weight	170 MPH	Max Weight	180 MPH
14.7	220	12.0	220	9.9	220	8.1	220	8.1	220	7.0	220	6.0
31.7	220	26.6	220	22.6	220	19.4	220	16.7	220	14.4	220	12.6
9.5	220	7.5	220	7.6	220	6.3	220	5.3	220	4.4	220	3.6
23.0	220	19.1	220	16.0	220	13.5	220	11.5	220	9.8	220	8.4
18.0	220	14.9	220	12.4	220	10.4	220	8.8	220	7.4	220	6.3
18.9	220	15.5	220	12.8	220	10.6	220	8.8	220	7.3	220	6.0
15.3	220	12.3	220	9.9	220	8.0	220	6.4	220	5.1	220	4.0
13.7	220	10.8	220	8.6	220	6.8	220	5.3	220	4.0	220	3.0

# Poles Tapered Round Steel

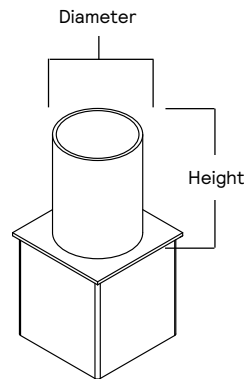
## Drilling Configuration

Code	Description
D1	Single luminaire
D1@180	Single luminaire @ 180
D2	Two luminaires @ 180
D2@90	Two luminaires @ 90
D3	Three luminaires @ 90
D3@120	Three luminaires @ 120
D4	Four luminaires @ 90

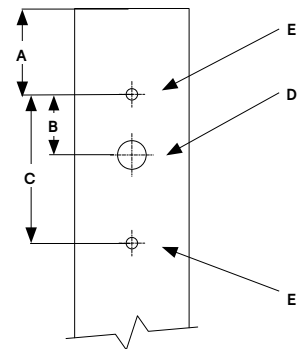


## Tenon Dimensions

Tenon	Diameter	Height
T2D4L	2.375" (60mm)	4" (102mm)
T2D6L	2.375" (60mm)	6" (152mm)
T3D4L	3" (76mm)	4" (102mm)
T4D6L	4" (102mm)	6" (152mm)



## Pole Top Drilling



## Luminaire Drill Pattern

Code	Description	Luminaires	Pole Drilling				
			A To Pole Top	B	C Full Extent	D Wireway Hole	E Bolt Hole
DT1	Drill Template 1	Gardco SlenderForm Round SFRA	2.25" (57mm)	1.5" (38.1mm)	3" (76mm)	0.875" (22.2mm)	0.40" (10.2mm)
DT2	Drill Template 2	Gardco SlenderForm Square - SFA Gardco Gullwing - GL13, GL18 Gardco Form Ten - EH14L, EH19L, CAL17, CAL22, MAL17, MAL22	2.25" (57mm)	2.17" (55mm)	3.84" (98mm)	0.875" (22.2mm)	0.39" (9.9mm)
DT3	Drill Template 3	Gardco PowerForm PFAS	2.25" (57mm)	1.75" (44mm)	3.84" (98mm)	0.875" (22.2mm)	0.41" (10.4mm)
DT4	Drill Template 4	Gen1 Stonco/Keene AL150-G1, AL200-G1	2.5" (64mm)	1.7" (43mm)	3.5" (89mm)	0.875" (22.2mm)	0.41" (10.4mm)
DT5	Drill Template 5	Gardco EcoForm Gen2 - ECF-S, ECF-L Gardco PureForm Gen2 - P15, P20, P26, P34 Gardco OptiForm Small - OPF-S Gardco OptiForm Med - OPF-M Gardco OptiForm Large - OPF-L Stonco/Keene LytePro Area - LPA	3" (76mm)	1" (25mm)	3" (76mm)	1" (25mm)	0.41" (10.4mm)
DT6	Drill Template 6	Hole pattern drilled for the following: Gen2 Stonco/Keene AL70-G2 and AL150-G2, or to attach RLAR bracket accessory, suitable for use with: Lumec Capella CPLM, CPLS Lumec RoadStar GPLM, GPLS Lumec RoadFocus RFS, RFM, RFL Lumec RoadFocus Plus RPS Lumec RoadView RVM, RVS Lumec MiniView SVS Lumec StreetView SVM Gardco SolarForm BRP710	2.5" (64mm)	1" (25mm)	2" (50mm)	0.875" (22mm)	0.5" (12.7mm)

# Poles Tapered Round Steel

## Specifications

### POLE SHAFT

The pole shaft conforms to ASTM A595 Grade-A and is supplied in 11 gauge (0.1196") thickness. It is one-piece construction with a full length longitudinal high frequency resistance weld and is round in cross section having a uniform taper of 0.14 inches per foot of length.

### ANCHOR BASE

The anchor base (base plate) is fabricated from structural quality hot rolled carbon steel plate conforming to ASTM A36. The base plate telescopes the pole shaft and is circumferentially welded top and bottom.

### ANCHOR BOLTS

Anchor bolts are fabricated from a commercial quality hot rolled carbon steel bar with a minimum yield strength of 55,000 PSI. Bolts have an "L" bend on one end and threaded on the opposite end. Anchor bolts

are hot dipped galvanized a minimum length of 12" on the threaded end. Four (4) properly sized bolts, each furnished with two (2) hex nuts and flat washers, are provided per pole as an accessory, unless otherwise specified.

### BASE COVER

A two-piece base cover completely seals the entire base plate and anchorage, secured with two (2) fasteners.

### HAND HOLD COVER

Round tapered pole with a butt of 7" or less in diameter have a 3" x 5" hand hole. Larger round poles have a 4" x 6.0" oval hand hole. A nut holder is provided near the hand hole and includes a .5" - 13 UNC hex head bolt and nut for grounding. The hand hole is circumferentially welded in the pole shaft and includes a steel cover with attachment screws. The hand

hole is located at 1' 6" above the base of the pole.

### DRILLING

Standard poles are drilled in factory for compatibility with Signify luminaires, optional brackets, and accessories. Signify is not liable for damage caused by unauthorized attachments, alterations, or modifications. If luminaires are to be supplied by others, Signify/Gardco/Stonco is not responsible for pole compatibility with luminaires, structural integrity of the pole or wind load requirements.

### FINISH

The standard finish for pole and accessories is an electrostatically applied, thermally cured TGIC polyester powdercoat textured.

### FASTENERS

All structural fasteners are galvanized high strength carbon steel. All fasteners are galvanized or zinc plated carbon steel.

### POLE TOP CAP

Each pole assembly is provided with a removable plastic top push cap. Finish is Black.

## General Pole Information

### DESIGN

The poles as charted are designed to withstand dead loads and predicted dynamic loads developed by variable wind speeds with an additional 30% gust factor under the following conditions:

The charted weights include luminaire(s) and/or mounting bracket(s).

The wind velocities are based on 10 mph increments from 80 mph through 130 mph. Poles to be located in areas of known abnormal conditions may require special consideration. For example: coastal areas, airports and areas of special winds, Florida Building Code. Poles are designed for ground mounted applications. Poles mounted on structures (such as buildings and bridges) may also necessitate special consideration requiring Gardco's recommendation. Height correction factors and drag coefficients are applied to the entire structure. An appropriate safety factor is maintained based on the minimum yield strength of the material incorporated in the pole.

### WARNING

This design information is intended as a general guideline only. The customer is solely responsible for proper selection of pole, luminaire, accessory and foundation under the given site conditions and intended usage. The addition of any items to the pole, in addition to the luminaire, will dramatically impact the EPA load on that pole. It is strongly recommended that a qualified professional be consulted to analyze the loads given the user's specific needs to ensure proper selection of the pole, luminaire, accessories, and foundation. Gardco assumes no responsibility for such proper analysis or product selections. Failure to insure proper site analysis, pole selection, loads and installation can result in pole failure, leading to serious injury or property damage.

### GENERAL INFORMATION

Mounting height is the vertical distance from the base of the lighting pole to the center of the luminaire arm at the point of luminaire attachment.

### WARRANTY

Gardco poles feature a 1 year limited warranty. See Warranty Information on [www.signify.com/warranties](http://www.signify.com/warranties) for complete details and exclusions.

### Buy American Act of 1933 (BAA)

This product is manufactured in one of our US factories and, as of the date of this document, this product was considered a commercially available off-the-shelf (COTS) item meeting the requirements of the BAA.

This BAA designation hereunder does not address (i) the applicability of, or availability of a waiver under, the Trade Agreements Act, or (ii) the "Buy America" domestic content requirements imposed on states, localities, and other non-federal entities as a condition of receiving funds administered by the Department of Transportation or other federal agencies. Prior to ordering, please visit <https://www.genlyte.com/en-us/resources/programs/domestic-preference> to view a current list of BAA-compliant products to confirm this product's current compliance. networked controllers.

### Build America, Buy America Act (BABA)

Build America, Buy America Act (BABA) establishes the minimum domestic content requirements that federal agencies must apply. This product is manufactured in the US and has a domestic content of 55% or more. This BABA designation does not address the "Buy America" domestic content requirements, which may be stricter, imposed on states, localities, and other non-federal entities as a condition of receiving funds administered by federal agencies. Please visit <https://www.genlyte.com/en-us/resources/programs/domestic-preference>. Prior to ordering, please contact factory to confirm BABA or BABAF compliant configurations (BABAF for projects funded through FHWA must be funded by October 1, 2026), and please submit completed BABA checklist.